

PRODUCT SPECIFICATIONS

Peninsula MPL11 Radiant Wood Burning



FIREPLACE OPENING

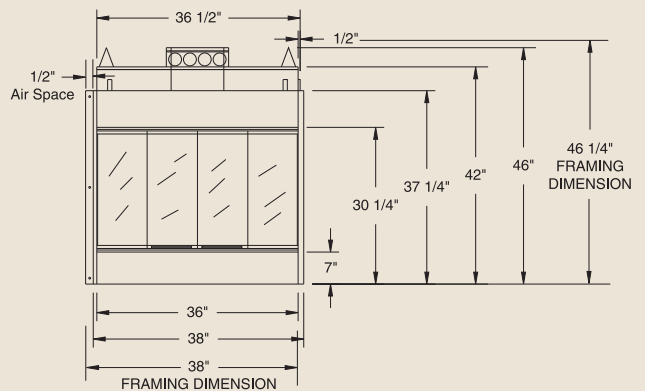
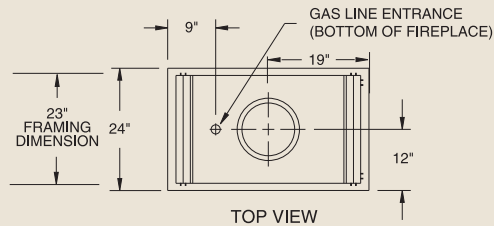
- Front opening width: 36"
- Front opening height: 23-1/4"
- End opening width: 22"
- End opening height: 23-1/4"

TECHNICAL INFORMATION

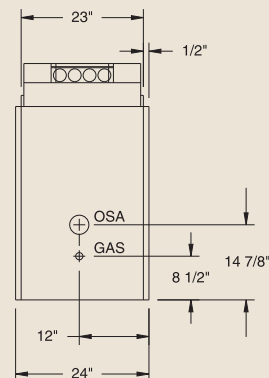
- Flue Series (Std.): "L" Series Double Wall
- Flue Size: 11" Inner; 13" Outer
- Clearance to Flue: 2"
- Firestop Framing: 17" x 17"
- Minimum Flue Height: 14'
- Maximum Flue Height: 86' (Support required every 35')
- Minimum Height with 2 Elbows: 14'
- Minimum Height with 4 Elbows: 21'
- Clearance to Fireplace: 1/2"
- Minimum Hearth Size: 16" x 52"
- OMNI Design Certified

FIELD INSTALLED ACCESSORIES

- Glass Doors: WH36 (2 required), WH22 (Doors not included)
- Outside Air Kit: AK4, FP4U, 403
- Terminations (Std.): "L" Series LC, LCL, CF11, LFSQT, LPC



FRONT VIEW



SIDE VIEW

Framing dimensions in illustrations accommodate 1/2" finishing material.



A Brand of Monessen Hearth Systems Co.
149 Cleveland Drive, Paris, Kentucky 40361

www.monessenhearth.com



To avoid personal injury or property damage, the product described by this brochure must be installed, operated and maintained in strict compliance with the instructions packaged with the product and all applicable building or fire codes. Contact local building or fire officials about restrictions and installation inspection requirements. All photographs and drawings on this brochure are for illustrative purposes only and are not intended for, nor should they be used as a substitute for the instructions packaged with the unit. Appearance and specifications of the product are subject to change without notice. © 2009 Monessen Hearth Systems Co.