

PRODUCT SPECIFICATIONS

# WMC36 Circulating Wood Burning Fireplace



### FIREPLACE OPENING

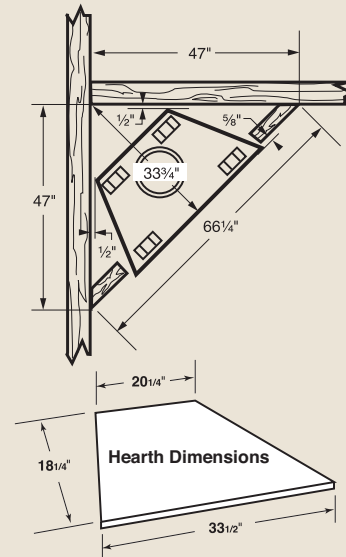
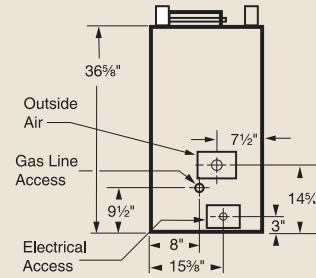
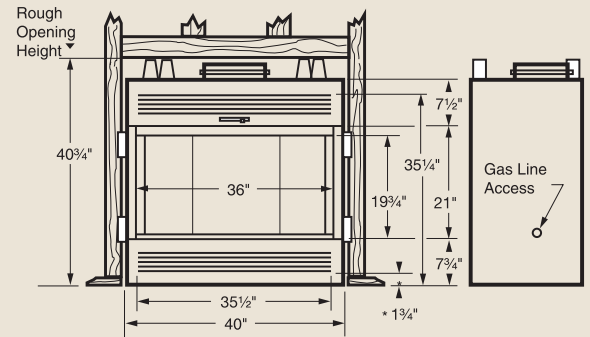
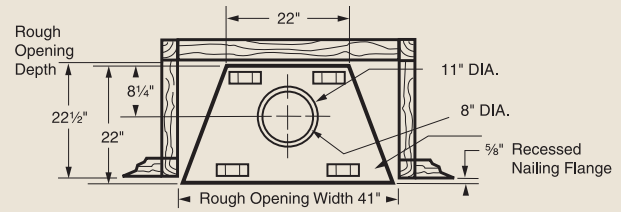
Front opening width: 36"  
Front opening height: 21"

### TECHNICAL INFORMATION

Flue Series (Std.): SK8 Double Wall  
Flue Size: 8" Inner 11" Outer  
Clearance to Chimney Pipe: 1-1/2"  
Firestop Framing: 14-1/2" x 14-1/2"  
Minimum Flue Height: 12'6"  
Maximum Flue Height: 90'  
Minimum Height with 2 Elbows: 15'  
Minimum Height with 4 Elbows: 21'  
Clearance to Fireplace: 1/2" to sides and back  
Minimum Hearth Size: 16" x 48"  
UL/ULC Design Certified  
Blower with Speed Control standard  
Black Bifold Doors standard

### FIELD INSTALLED ACCESSORIES

Bi-fold Glass Doors: Brushed Brass, Polished Brass, Pewter  
Triple Wall Chimney adaptor: TWABR  
Terminations (Std.): SK8 Series RLTSK8, RLTSK8L, PLTSK8, SLTSK8



A Brand of Monessen Hearth Systems Co.  
149 Cleveland Drive, Paris, Kentucky 40361

[www.monessenhearth.com](http://www.monessenhearth.com)



To avoid personal injury or property damage, the product described by this brochure must be installed, operated and maintained in strict compliance with the instructions packaged with the product and all applicable building or fire codes. Contact local building or fire officials about restrictions and installation inspection requirements. All photographs and drawings on this brochure are for illustrative purposes only and are not intended for, nor should they be used as a substitute for the instructions packaged with the unit. Appearance and specifications of the product are subject to change without notice. © 2010 Monessen Hearth Systems Co.