

INSTALLER: LEAVE THIS MANUAL WITH THE APPLIANCE.
 CONSUMER: RETAIN THIS MANUAL FOR FUTURE REFERENCE.
 NEVER LEAVE CHILDREN OR OTHER AT RISK INDIVIDUALS ALONE WITH THE APPLIANCE



INSTALLATION AND OPERATING INSTRUCTIONS

CERTIFIED UNDER CANADIAN AND AMERICAN NATIONAL STANDARDS: CSA 2.22, ANSI Z21.50 FOR VENTED GAS FIREPLACES.

CERTIFIED FOR CANADA AND UNITED STATES USING ANSI/CSA METHODS.

SAFETY INFORMATION

WARNING

If the information in these instructions are not followed exactly, a fire or explosion may result causing property damage, personal injury or loss of life.

- Do not store or use gasoline or other flammable vapors and liquids in the vicinity of this or any other appliance.
- WHAT TO DO IF YOU SMELL GAS:
 - Do not try to light any appliance.
 - Do not touch any electrical switch; do not use any phone in your building.
 - Immediately call your gas supplier from a neighbour's phone. Follow the gas supplier's instructions.
 - If you cannot reach your gas supplier, call the fire department.
- Installation and service must be performed by a qualified installer, service agency or the supplier.

This appliance may be installed in an aftermarket, permanently located, manufactured home (USA only) or mobile home, where not prohibited by local codes.

This appliance is only for use with the type of gas indicated on the rating plate. This appliance is not convertible for use with other gases, unless a certified kit is used.

APPLY SERIAL NUMBER LABEL FROM CARTON

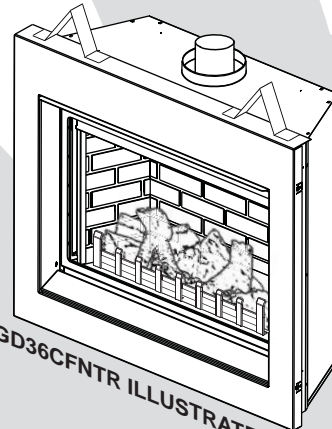


**BGD36CFNTR,
 BGD36CFGN &
 GD36MN**

NATURAL GAS MODEL

**BGD36CFPTR,
 BGD36CFGP &
 GD36MP**

PROPANE GAS MODEL



BGD36CFNTR ILLUSTRATED

WARNING

HOT GLASS WILL CAUSE BURNS.

DO NOT TOUCH GLASS UNTIL COOLED.

NEVER ALLOW CHILDREN TO TOUCH GLASS.



Wolf Steel Ltd., 24 Napoleon Rd., Barrie, ON, L4M 0G8 Canada /
 103 Miller Drive, Crittenden, Kentucky, USA, 41030

Phone (705)721-1212 • Fax (705)722-6031 • www.napoleonfireplaces.com • ask@napoleonproducts.com

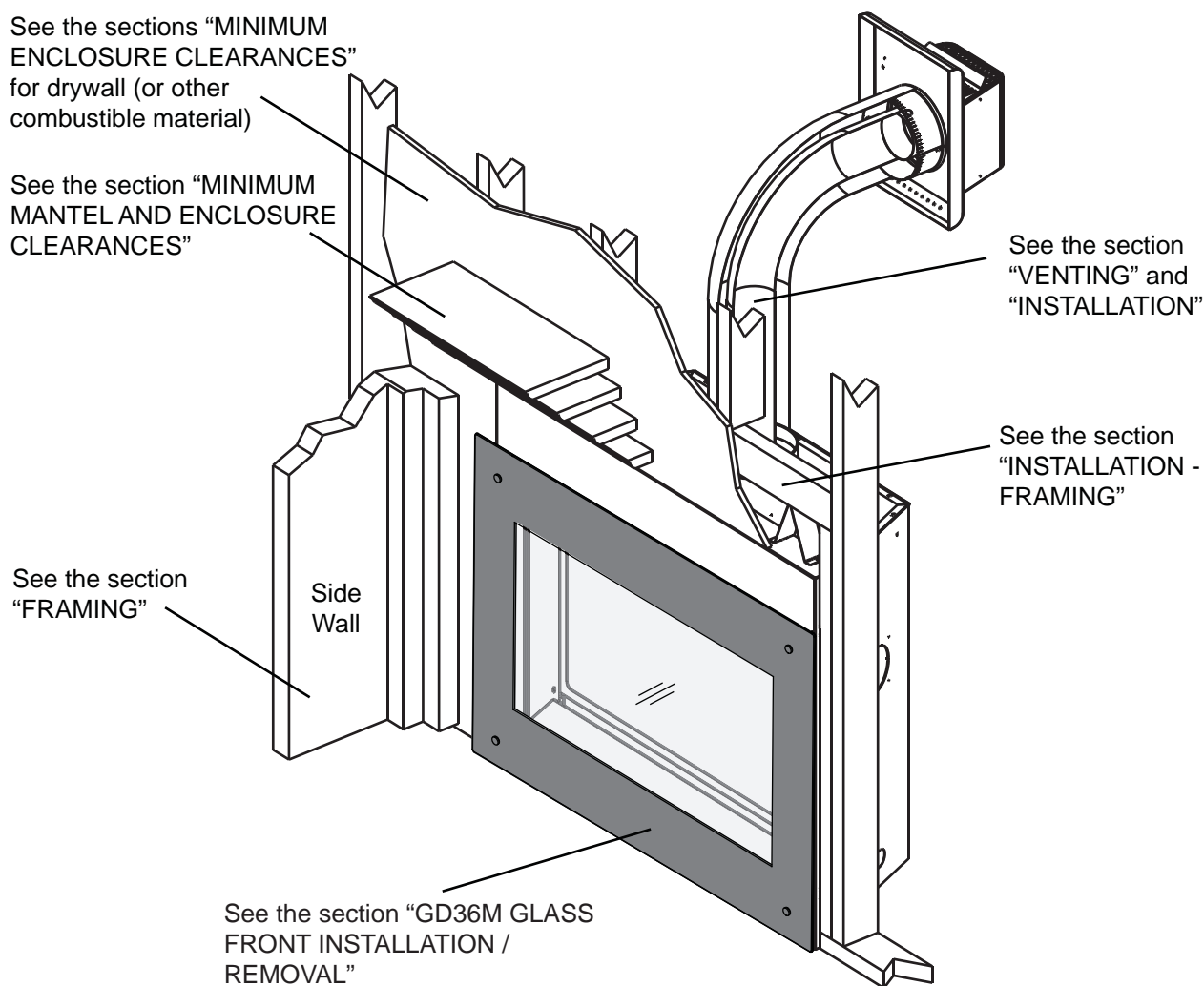
TABLE OF CONTENTS

1.0	INSTALLATION OVERVIEW	3
2.0	INTRODUCTION	4
2.1	DIMENSIONS	5
2.1.1	BGD36CF / BGD36CFG	5
2.1.2	GD36M	5
2.2	GENERAL INSTRUCTIONS	5
2.3	GENERAL INFORMATION	7
2.4	RATING PLATE INFORMATION	7
3.0	VENTING	8
3.1	VENTING LENGTHS AND COMPONENTS	8
3.2	TYPICAL VENT INSTALLATIONS	9
3.3	SPECIAL VENT INSTALLATIONS	11
3.3.1	PERISCOPE TERMINATION	11
3.3.2	CORNER TERMINATION	11
3.4	VENT TERMINAL CLEARANCES	12
3.5	VENT APPLICATION FLOW CHART	13
3.6	DEFINITIONS	13
3.7	ELBOW VENT LENGTH VALUES	14
3.8	TOP EXIT HORIZONTAL TERMINATION	14
3.9	REAR EXIT HORIZONTAL TERMINATION	16
3.10	TOP OR REAR EXIT VERTICAL TERMINATION	18
4.0	PRE-INSTALLATION PREPARATION	20
4.1	REMOVING THE VALVE ACCESS DOOR AND TOP DOOR TRIM	20
4.2	DOOR OPERATION	21
4.3	REAR EXIT	21
4.4	TOP VENT	21
5.0	INSTALLATION	22
5.1	WALL AND CEILING PROTECTION	22
5.2	HORIZONTAL INSTALLATION	23
5.3	VERTICAL INSTALLATION	23
5.4	USING FLEXIBLE VENT COMPONENTS	24
5.4.1	HORIZONTAL AIR TERMINAL INSTALLATION	24
5.4.2	VERTICAL AIR TERMINAL INSTALLATION	25
5.4.3	APPLIANCE VENT CONNECTION	26
5.5	USING RIGID VENT COMPONENTS	26
5.5.1	HORIZONTAL AIR TERMINAL INSTALLATION	26
5.5.2	EXTENDED HORIZONTAL AND CORNER TERMINAL INSTALLATION	26
5.6	VERTICAL THROUGH EXISTING CHIMNEY	27
5.6.1	VERTICAL AIR TERMINAL INSTALLATION	28
5.7	MOBILE HOME INSTALLATION	29
5.8	GAS INSTALLATION	29
5.9	OPTIONAL WALL SWITCH EXCLUDING BGD36CFG & GD36M	30
6.0	FRAMING	31
6.1	INSTALLING STAND-OFFS	32
6.2	MINIMUM FRAMING DIMENSIONS	33
6.2.1	STEEL HEADER INSTALLATION FOR CLEAN FACE SURROUND AND STYLO GLASS FACIA	34
6.3	MINIMUM ENCLOSURE CLEARANCES	35
6.3.1	REAR VENT ENCLOSURE	35
6.3.2	TOP VENT ENCLOSURE	36
6.3.3	ALCOVE ENCLOSURE	36
6.3.4	ENCLOSURE INSTALLATION WITH CLEAN FACE SURROUND OR STYLO GLASS FACIA (GD36M)	37
6.4	CLEAN FACE SURROUND FRAMING AND FINISHING EXCLUDING GD36M	38
6.4.1	FINISHED FLOOR INSTALLATION	38
6.4.2	HEARTH INSTALLATION	39
6.5	MINIMUM MANTEL CLEARANCES	39
6.6	ALCOVE FRAMING	40
7.0	FINISHING	41
7.1	DOOR INSTALLATION & REMOVAL	41
7.2	CLEAN FACE TRIM KIT INSTALLATION EXCLUDING GD36M	42
8.0	BGD36CF FINISHING	43
8.1	LOG PLACEMENT	43
8.2	GLOWING EMBERS	44
8.3	CHARCOAL EMBERS	44
8.4	LOGO PLACEMENT	44
8.5	OPTIONAL ROCK KIT	44
9.0	BGD36CFG / GD36M FINISHING	45
9.1	GLASS BURNER INSTALLATION	45
9.2	GD36M GLASS FRONT INSTALLATION / REMOVAL	46
9.3	TOP PRP PANEL INSTALLATION GD36M	46
10.0	OPTIONAL BLOWER INSTALLATION	47
10.1	ACCESSING THE BLOWER	47
11.0	WIRING DIAGRAM	48
11.1	BGD36CFG / GD36M LIGHT SWITCH	48
11.2	BGD36CFG / GD36M BURNER SWITCH	49
11.3	RECEPTACLE WIRING DIAGRAM	50

NOTE: Changes, other than editorial, are denoted by a vertical line in the margin.

12.0	OPERATION	51
12.1	BGD36CF	51
12.2	BGD36CFG / GD36M	52
13.0	ADJUSTMENTS	53
13.1	PILOT BURNER ADJUSTMENT	53
13.2	VENTURI ADJUSTMENT	53
13.2.1	BGD36CF VENTURI ADJUSTMENT	53
13.2.2	BGD36CFG / GD36M VENTURI ADJUSTMENT	54
13.3	BGD36CF FLAME CHARACTERISTICS	54
13.4	BGD36CFG / GD36M FLAME CHARACTERISTICS	55
14.0	MAINTENANCE	55
14.1	BULB REPLACEMENT BGD36CFG / GD36M	56
14.2	LENS ASSEMBLY REPLACEMENT BGD36CFG / GD36M	56
14.3	DOOR GLASS REPLACEMENT	57
14.4	CARE OF GLASS	57
14.5	CARE OF PLATED PARTS	57
15.0	REPLACEMENTS	58
16.0	TROUBLESHOOTING	62
16.1	BGD36CF	62
16.2	BGD36CFG / GD36M	64
17.0	WARRANTY	66
18.0	SERVICE HISTORY	67

1.0 INSTALLATION OVERVIEW



2.0 INTRODUCTION

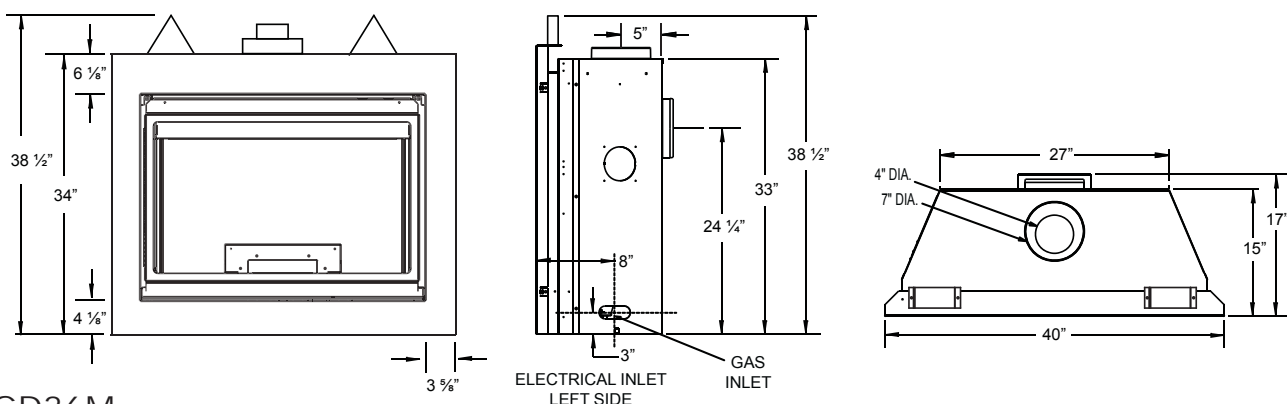
WARNING

- **THIS APPLIANCE IS HOT WHEN OPERATED AND CAN CAUSE SEVERE BURNS IF CONTACTED.**
- **ANY CHANGES TO THIS APPLIANCE OR IT'S CONTROLS CAN BE DANGEROUS AND IS PROHIBITED.**
- Do not operate appliance before reading and understanding operating instructions. Failure to operate appliance according to operating instructions could cause fire or injury.
- Risk of fire or asphyxiation do not operate appliance with fixed glass removed.
- Do not connect 110 volts to the control valve.
- Risk of burns. The appliance should be turned off and cooled before servicing.
- Do not install damaged, incomplete or substitute components.
- Risk of cuts and abrasions. Wear protective gloves and safety glasses during installation. Sheet metal edges may be sharp.
- Do not burn wood or other materials in this appliance.
- Children and adults should be alerted to the hazards of high surface temperature and should stay away to avoid burns or clothing ignition.
- Young children should be carefully supervised when they are in the same room as the appliance. Toddlers, young children and others may be susceptible to accidental contact burns. A physical barrier is recommended if there are at risk individuals in the house. To restrict access to an appliance or stove, install an adjustable safety gate to keep toddlers, young children and other at risk individuals out of the room and away from hot surfaces.
- Clothing or other flammable material should not be placed on or near the appliance.
- Due to high temperatures, the appliance should be located out of traffic and away from furniture and draperies.
- Ensure you have incorporated adequate safety measure to protect infants/toddlers from touching hot surfaces.
- Even after the appliance is out, the glass and/or screen will remain hot for an extended period of time.
- Check with your local hearth specialty dealer for safety screens and hearth guards to protect children from hot surfaces. These screens and guards must be fastened to the floor.
- Any safety screen or guard removed for servicing must be replaced prior to operating the appliance.
- The appliance is a vented gas-fired appliance. Do not burn wood or other materials in the appliance.
- It is imperative that the control compartments, burners and circulating blower and its passageway in the appliance and venting system are kept clean. The appliance and its venting system should be inspected before use and at least annually by a qualified service person. More frequent cleaning may be required due to excessive lint from carpeting, bedding material, etc. The appliance area must be kept clear and free from combustible materials, gasoline and other flammable vapors and liquids.
- Under no circumstances should this appliance be modified.
- This appliance must not be connected to a chimney flue pipe serving a separate solid fuel burning appliance.
- Do not use this appliance if any part has been under water. Immediately call a qualified service technician to inspect the appliance and to replace any part of the control system and any gas control which has been under water.
- Do not operate the appliance with the glass door removed, cracked or broken. Replacement of the glass should be done by a licensed or qualified service person.
- Do not strike or slam shut the appliance glass door.
- When equipped with pressure relief doors, they must be kept closed while the appliance is operating to prevent exhaust fumes containing carbon monoxide, from entering into the home. Temperatures of the exhaust escaping through these openings can also cause the surrounding combustible materials to overheat and catch fire. Only doors / optional fronts certified with the unit are to be installed on the appliance.
- Only doors / optional fronts certified with the unit are to be installed on the appliance.
- Keep the packaging material out of reach of children and dispose of the material in a safe manner. As with all plastic bags, these are not toys and should be kept away from children and infants.
- As with any combustion appliance, we recommend having your appliance regularly inspected and serviced as well as having a Carbon Monoxide Detector installed in the same area to defend you and your family against Carbon Monoxide.
- Ensure clearances to combustibles are maintained when building a mantel or shelves above the appliance. Elevated temperatures on the wall or in the air above the appliance can cause melting, discolouration or damage to decorations, a T.V. or other electronic components.
- This appliance uses and requires a fast acting thermocouple. Replace only with a fast acting thermocouple supplied by Wolf Steel Ltd.

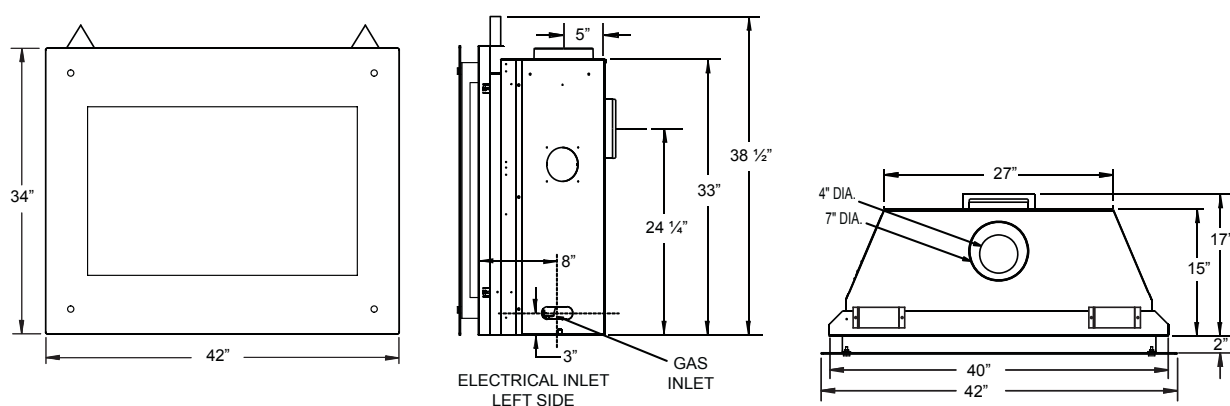
3.1C

2.1 DIMENSIONS

2.1.1 BGD36CF / BGD36CFG



2.1.2 GD36M



2.2 GENERAL INSTRUCTIONS

! WARNING
ALWAYS LIGHT THE PILOT WHETHER FOR THE FIRST TIME OR IF THE GAS SUPPLY HAS RUN OUT, WITH THE GLASS DOOR OPENED OR REMOVED.
PROVIDE ADEQUATE CLEARANCE FOR SERVICING AND OPERATING THE APPLIANCE.
PROVIDE ADEQUATE VENTILATION.
NEVER OBSTRUCT THE FRONT OPENING OF THE APPLIANCE.
OBJECTS PLACED IN FRONT OF THE APPLIANCE MUST BE KEPT A MINIMUM OF 48" FROM THE FRONT FACE OF THE APPLIANCE.
SURFACES AROUND AND ESPECIALLY ABOVE THE APPLIANCE CAN BECOME HOT. AVOID CONTACT WHEN THE APPLIANCE IS OPERATING.
FIRE RISK. EXPLOSION HAZARD.
HIGH PRESSURE WILL DAMAGE VALVE. DISCONNECT GAS SUPPLY PIPING BEFORE PRESSURE TESTING GAS LINE AT TEST PRESSURES ABOVE 1/2 PSIG. CLOSE THE MANUAL SHUT-OFF VALVE BEFORE PRESSURE TESTING GAS LINE AT TEST PRESSURES EQUAL TO OR LESS THAN 1/2 PSIG.
USE ONLY WOLF STEEL APPROVED OPTIONAL ACCESSORIES AND REPLACEMENT PARTS WITH THIS APPLIANCE. USING NON-LISTED ACCESSORIES (BLOWERS, DOORS, LOUVRES, TRIMS, GAS COMPONENTS, VENTING COMPONENTS, ETC.) COULD RESULT IN A SAFETY HAZARD AND WILL VOID THE WARRANTY AND CERTIFICATION.

THIS GAS APPLIANCE SHOULD BE INSTALLED AND SERVICED BY A QUALIFIED INSTALLER to conform with local codes. Installation practices vary from region to region and it is important to know the specifics that apply to your area, for example in Massachusetts State:

- This product must be installed by a licensed plumber or gas fitter when installed within the commonwealth of Massachusetts.
- The appliance damper must be removed or welded in the open position prior to installation of a appliance insert or gas log.
- The appliance off valve must be a “T” handle gas cock.
- The flexible connector must not be longer than 36 inches.
- A Carbon Monoxide detector is required in all rooms containing gas fired appliances.
- The appliance is not approved for installation in a bedroom or bathroom unless the unit is a direct vent sealed combustion product.

The installation must conform with local codes or, in absence of local codes, the National Gas and Propane Installation Code CSA B149.1 in Canada, or the National Fuel Gas Code, ANSI Z223.1 / NFPA 54 in the United States. Suitable for mobile home installation if installed in accordance with the current standard CAN/CSA Z240MH Series, for gas equipped mobile homes, in Canada or ANSI Z223.1 and NFPA 54 in the United States.

As long as the required clearance to combustibles is maintained, the most desirable and beneficial location for an appliance is in the center of a building, thereby allowing the most efficient use of the heat created. The location of windows, doors and the traffic flow in the room where the appliance is to be located should be considered. If possible, you should choose a location where the vent will pass through the house without cutting a floor or roof joist.

If the appliance is installed directly on carpeting, vinyl tile or other combustible material other than wood flooring, the appliance shall be installed on a metal or wood panel extending the full width and depth.

Some appliances have optional fans or blowers. If an optional fan or blower is installed, the junction box must be electrically connected and grounded in accordance with local codes, use the current CSA C22.1 Canadian Electrical Code in Canada or the ANSI/NFPA 70 National Electrical code in the United States.

**NATIONAL
FIREPLACE
INSTITUTE**



CERTIFIED

www.nficertified.org

We suggest that our gas hearth products be installed and serviced by professionals who are certified in the U.S. by the National Fireplace Institute® (NFI) as NFI Gas Specialists

4.1A

All sections of this manual with BGD36CF(G) are common to BGD36CF, BGD36CFG and GD36M. All sections with BGD36CFG / GD36M are common to both the BGD36CFG and GD36M

2.3 GENERAL INFORMATION

FOR YOUR SATISFACTION, THIS APPLIANCE HAS BEEN TEST-FIRED TO ASSURE ITS OPERATION AND QUALITY!

APPLIANCE		
	NG	LP
Altitude (FT)	0-4,500	0-4500
Max. Input (BTU/HR)	17,000	17,000
Max. Output Steady State (BTU/HR)	10,900	10,900
Efficiency (w/the fan on)	64%	64%
A.F.U.E. (Annual Fuel Utilization Efficiency)	53%	53%
Min. Inlet Gas Supply Pressure	4.5" Water Column	11" Water Column
Max. Inlet Gas Supply Pressure	7" Water Column	13" Water Column
Manifold Pressure (Under Flow Conditions)	3.5" Water Column	10" Water Column

When the appliance is installed at elevations above 4,500 ft, and in the absence of specific recommendations from the local authority having jurisdiction, the certified high altitude input rating shall be reduced at the rate of 4% for each additional 1,000 ft.

This appliance is approved for bathroom, bedroom and bed-sitting room installations and is suitable for mobile home installation.

No external electricity (110 volts or 24 volts) is required for the gas system operation.

Expansion / contraction noises during heating up and cooling down cycles are normal and are to be expected. Use only accessories designed for and listed with your specific appliance.

2.4 RATING PLATE INFORMATION

INSTALLER: It is your responsibility to check off the appropriate box on the rating plate according to the model, venting and gas type of the appliance.

For rating plate location, see "INSTALLATION OVERVIEW" section.

This illustration is for reference only. Refer to the rating plate on the appliance for accurate information.

APPLIANCE	
	NG
Altitude (FT)	0-4,500
Max. Input (BTU/HR)	17,000
Max. Output Steady State (BTU/HR)	10,900
Efficiency (w/the fan on)	64%
A.F.U.E. (Annual Fuel Utilization Efficiency)	53%
Min. Inlet Gas Supply Pressure	4.5" Water Column
Max. Inlet Gas Supply Pressure	7" Water Column
Manifold Pressure (Under Flow Conditions)	3.5" Water Column

CERTIFIED UNDER / HOMOLOGUE SELON LES NORMES: CSA 2.22b-2009, ANSI Z21.50b-2009 VENTED GAS FIREPLACE / FOYER AU GAZ AVEC EVACUATION.
 DIRECT VENT GAS FIREPLACE. SUITABLE FOR BEDROOM, BATHROOM AND BED-SITTING ROOM INSTALLATION. SUITABLE FOR MOBILE HOME INSTALLATION IF INSTALLED IN ACCORDANCE WITH THE CURRENT STANDARD CAN/CSA Z240MH SERIES GAS EQUIPPED MOBILE HOMES. IN CANADA OR IN THE UNITED STATES THE MANUFACTURED HOME CONSTRUCTION AND SAFETY STANDARD, TITLE 24 CFR, PART 3280. WHEN THIS US STANDARD IS NOT APPLICABLE USE THE STANDARD FOR FIRE SAFETY CRITERIA FOR MANUFACTURED HOME INSTALLATIONS, SITES AND COMMUNITIES, ANSI / NFPA 501A. WHEN INSTALLED WITH SCREEN KIT GD-565KT, THE FIREPLACE COMPLIES WITH CGA CERTIFICATION REQUIREMENT CR95-006.

FOYER A GAZ VENTILE DIRECT. HOMOLOGUE POUR INSTALLATION DANS UNE CHAMBRE A COUCHER, UNE SALLE DE BAIN ET UN STUDIO. APPROPRIE POUR INSTALLATION DANS UNE MAISON MOBILE SI SON INSTALLATION CONFORME AUX EXIGENCES DE LA NORME CAN/CSA Z240MH SERIE DE MAISONS MOBILES EQUIPEES AU GAZ, EN VIGUEUR AU CANADA/EN AUX ETATS-UNIS DE LA NORME DE SECURITE ET DE CONSTRUCTION DE MAISONS MANUFACTUREES, TITRE 24 CFR, SECTION 3280. DANS LE CAS OU CETTE NORME D'ETATS-UNIS NE PEUT ETRE APPLIQUEE, SE REFERER A LA NORME RELATIVE AU CRITERE DE MESURES DE SECURITE CONTRE L'INCENDIE POUR LES INSTALLATIONS DANS LES MAISONS MANUFACTUREES, LES SITES ET LES COMMUNAUTES, ANS/NFPA 501A. LORSQU'IL EST INSTALLE AVEC LE TROUSSE POUR ECRAN GD-565KT, LE FOYER EST CONFORME A LA NORME DE CERTIFICATION DE L'ACG CR95-006.

9700539 (WSL) 4001658 (NAC) 4001657 (NGZ) 4001659 (WUSA)

MODEL BGD36CFNTR BCDV36CFNTR BGD36CFPTR BCDV36CFPTR

ALTITUDE / ELEVATION INPUT / ALIMENTATION REDUCED INPUT / ALIMENTATION REDUITE

MANIFOLD PRESSURE: 3.5" WATER COLUMN
 PRESSION AU COLLECTEUR: 3.5" D'UNE COLONNE D'EAU
 MINIMUM SUPPLY PRESSURE: 4.5" WATER COLUMN
 PRESSION D'ALIMENTATION MINIMALE: 4.5" D'UNE COLONNE D'EAU
 MAXIMUM SUPPLY PRESSURE: 7.0" WATER COLUMN
 PRESSION D'ALIMENTATION MAXIMALE: 7.0" D'UNE COLONNE D'EAU

MANIFOLD PRESSURE: 10" WATER COLUMN
 PRESSION AU COLLECTEUR: 10" D'UNE COLONNE D'EAU
 MINIMUM SUPPLY PRESSURE: 11" WATER COLUMN
 PRESSION D'ALIMENTATION MINIMALE: 11" D'UNE COLONNE D'EAU
 MAXIMUM SUPPLY PRESSURE: 13" WATER COLUMN
 PRESSION D'ALIMENTATION MAXIMALE: 13" D'UNE COLONNE D'EAU

NOT FOR USE WITH SOLID FUEL. FOR USE WITH GLASS DOORS CERTIFIED WITH THIS UNIT ONLY.
WARNING: THIS FIREPLACE USES AND REQUIRES A FAST ACTING THERMOCOUPLE. REPLACE ONLY WITH A FAST ACTING THERMOCOUPLE SUPPLIED BY WOLF STEEL LTD. DO NOT ADD ANY MATERIAL TO THE APPLIANCE, WHICH WILL COME IN CONTACT WITH THE FLAMES, OTHER THAN THAT SUPPLIED BY THE MANUFACTURER WITH THE APPLIANCE.
 MINIMUM CLEARANCE TO COMBUSTIBLE MATERIALS / DEGAGEMENTS MINIMAUX DES MATERIAUX COMBUSTIBLES:
 TOP / DESSUS 0 RECESSED DEPTH / PROFONDEUR D'ENCASTRE 12.25"
 FLOOR / PLANCHER 0 VENT SIDES / COTES DE L'EVENI 1"
 SIDES / COTES 0 VENT TOP / EVENT SUPERIEUR 2"
 BACK / ARRIERE 0 VENT BOTTOM / EVENT INFERIEUR 12"
 MANTEL / MANTEAU 12"
 * MAXIMUM HORIZONTAL EXTENSION / L'EXTENSION HORIZONTALE MAXIMALE: 2". SEE INSTRUCTION MANUAL FOR GREATER EXTENSIONS. REFERER AU MANUEL D'INSTRUCTION POUR DES EXTENSIONS PLUS GRANDES.
 SEE OWNER'S INSTRUCTION MANUAL FOR MINIMUM AND MAXIMUM VENT LENGTHS. REFERER AU MANUEL D'INSTALLATION DE PROPRIETAIRE POUR LES LONGUEURS D'EVACUATION MINIMALE ET MAXIMALE.

UN COMBUSTIBLE SOLIDE NE DOIT PAS ETRE UTILISE AVEC CET APPAREIL. UTILISER AVEC LES PORTES VITREES HOMOLOGUEES SEULEMENT AVEC CETTE UNITE.
AVERTISSEMENT: CE FOYER UTILISE ET REQUIERT UN THERMOCOUPLE A ACTION RAPIDE. REMPLACEZ UNIQUEMENT AVEC UN THERMOCOUPLE A ACTION RAPIDE DE WOLF STEEL LITEE. N'AJOUTEZ PAS A CET APPAREIL AUCUN MATERIAU DEVANT ENTRER EN CONTACT AVEC LES FLAMMES AUTRE QUE CELUI QUI EST FOURNI AVEC CET APPAREIL PAR LE FABRICANT.
 THE APPLIANCE MUST BE VENTED USING THE APPROPRIATE WOLF STEEL VENT KITS. SEE OWNERS INSTALLATION MANUAL FOR VENTING SPECIFICS. PROPER REINSTALLATION AND RESEALING IS NECESSARY AFTER SERVICING THE VENT-AIR INTAKE SYSTEM.
 L'APPAREIL DOIT EVACUER SES GAZ EN UTILISANT L'ENSEMBLE D'EVACUATION PROPRE A NAPOLEON. REFERER AU MANUEL D'INSTALLATION DE PROPRIETAIRE POUR L'EVACUATION PRECISE. IL EST IMPORTANT DE BIEN REINSTALLER ET RECELLER L'EVENI APRES AVOIR ASSURE LE MAINTIEN DU SYSTEME DE PRISE D'AIR.
 ELECTRICAL RATING / CLASSIFICATION: 115V 0.82AMP, 60HZ
 OPTIONAL FAN KIT / ENSEMBLE DE VENTILATEUR FACULTATIF: GZ550-KT, GD65

WOLF STEEL LTD.
 24 NAPOLEON ROAD, BARRIE, ON, L4M 0G9 CANADA

SERIAL NUMBER/NO. DE SERIE: **BGD36CF** W385-0342/H

3.0 VENTING

WARNING

RISK OF FIRE, MAINTAIN SPECIFIED AIR SPACE CLEARANCES TO VENT PIPE AND APPLIANCE.

IF VENTING IS INCLUDED WITH SPACERS THE VENT SYSTEM MUST BE SUPPORTED EVERY 3 FEET FOR BOTH VERTICAL AND HORIZONTAL RUNS. USE SUPPORTS OR EQUIVALENT NON-COMBUSTIBLE STRAPPING TO MAINTAIN THE REQUIRED CLEARANCE FROM COMBUSTIBLES. USE WOLF STEEL LTD. SUPPORT RING ASSEMBLY W010-0370 OR EQUIVALENT NON-COMBUSTIBLE STRAPPING TO MAINTAIN THE MINIMUM CLEARANCE TO COMBUSTIBLES FOR BOTH VERTICAL AND HORIZONTAL RUNS. SPACERS ARE ATTACHED TO THE INNER PIPE AT PREDETERMINED INTERVALS TO MAINTAIN AN EVEN AIR GAP TO THE OUTER PIPE. THIS GAP IS REQUIRED FOR SAFE OPERATION. A SPACER IS REQUIRED AT THE START, MIDDLE AND END OF EACH ELBOW TO ENSURE THIS GAP IS MAINTAINED. THESE SPACERS MUST NOT BE REMOVED.

**THIS APPLIANCE USES A 4" EXHAUST / 7" AIR INTAKE VENT PIPE SYSTEM.
Refer to the section applicable to your installation.**

For safe and proper operation of the appliance follow the venting instruction exactly. Deviation from the minimum vertical vent length can create difficulty in burner start-up and/or carboning. Under extreme vent configurations, allow several minutes (5-15) for the flame to stabilize after ignition. Provide a means for visually checking the vent connection to the appliance after the appliance is installed. Use a firestop, vent pipe shield or attic insulation shield when penetrating interior walls, floor or ceiling.

NOTE: If for any reason the vent air intake system is disassembled; reinstall per the instructions provided for the initial installation.

7.1A

3.1 VENTING LENGTHS AND COMPONENTS

Use only Wolf Steel, Simpson Dura-Vent, Selkirk Direct Temp, American Metal Amerivent or Metal-Fab venting components. Minimum and maximum vent lengths, for both horizontal and vertical installations, and air terminal locations for either system are set out in this manual and must be adhered to. For Simpson Dura-Vent, Selkirk Direct Temp, American Metal Amerivent and Metal-Fab follow the installation procedure provided with the venting components.

A starter adaptor must be used with the following vent systems and may be purchased from the corresponding supplier:

PART	4"/7"	SUPPLIER	WEBSITE
Duravent	W175-0053	Wolf Steel	www.duravent.com
Amerivent	4DSC-N2	American Metal	www.americanmetalproducts.com
Direct Temp	4DT-AAN	Selkirk	www.selkirkcorp.com
SuperSeal	4DNA	Metal-Fab	www.mtlfab.com

For Simpson Dura-Vent, Selkirk Direct Temp, American Metal Amerivent and Metal-Fab follow the installation procedure found on the website for your venting supplier.

For vent systems that provide seals on the inner exhaust flue, only the outer air intake joints must be sealed using a red high temperature silicone (RTV). This same sealant may be used on both the inner exhaust and outer intake vent pipe joints of all other approved vent systems except for the exhaust vent pipe connection to the appliance flue collar which must be sealed using the black high temperature sealant Mill Pac. High temperature sealant must be ordered separately.

When using Wolf Steel venting components, use only approved Wolf Steel rigid / flexible components with the following termination kits: wall terminal kit **GD222**, **GD222R**, or 1/12 to 7/12 pitch roof terminal kit **GD110**, 8/12 to 12/12 roof terminal kit **GD111**, flat roof terminal kit **GD112** or periscope kit **GD201** (for wall penetration below grade). With flexible venting, in conjunction with the various terminations, use either the 5 foot vent kit **GD220** or the 10 foot vent kit **GD330**.

The air terminal must remain unobstructed at all times. Examine the air terminal at least once a year to verify that it is unobstructed and undamaged.

Rigid and flexible venting systems must not be combined. Different venting manufacturer components must not be combined.

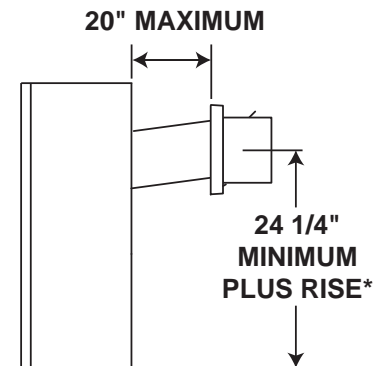
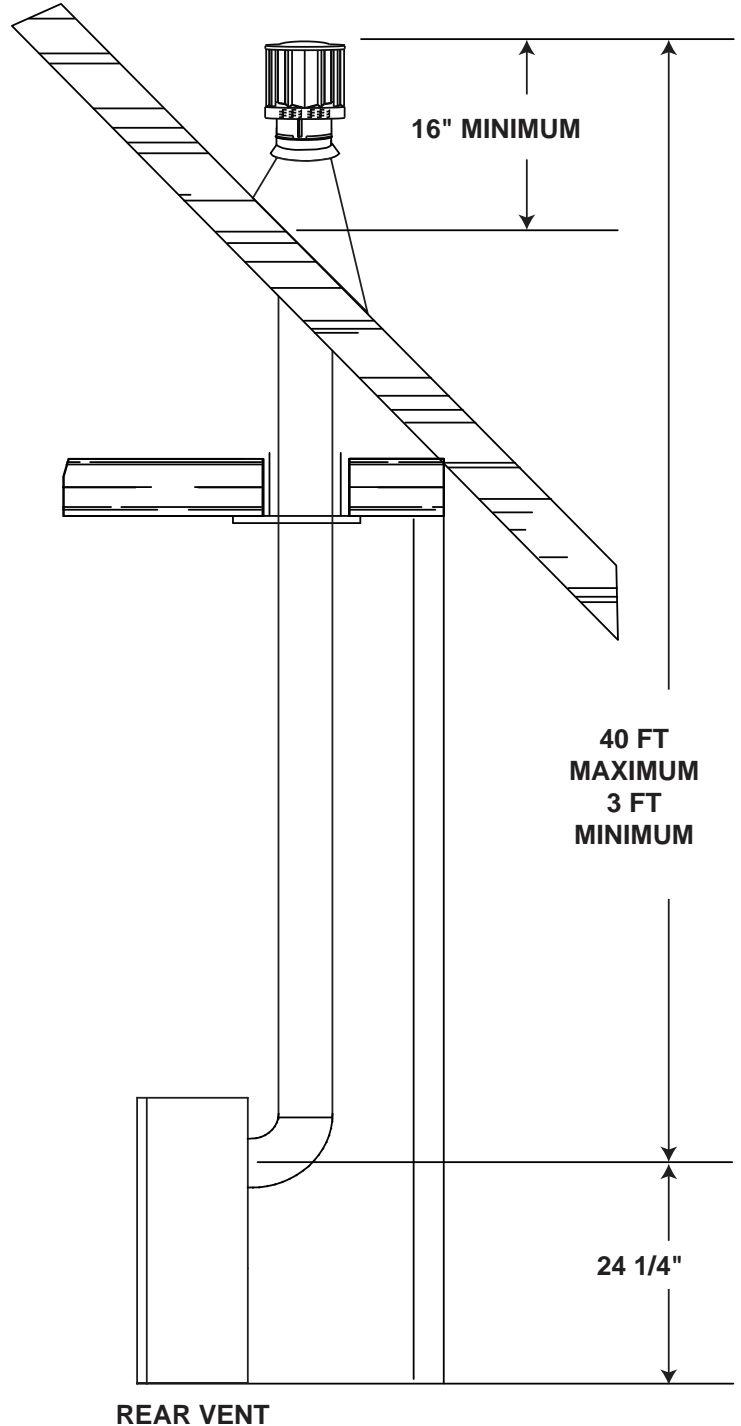
These vent kits allow for either horizontal or vertical venting of the appliance. The maximum allowable horizontal run is 20 feet. The maximum allowable vertical vent length is 40 feet. The maximum number of vent connections is two horizontally or three vertically (excluding the appliance and the air terminal connections) when using flexible venting.

8.1

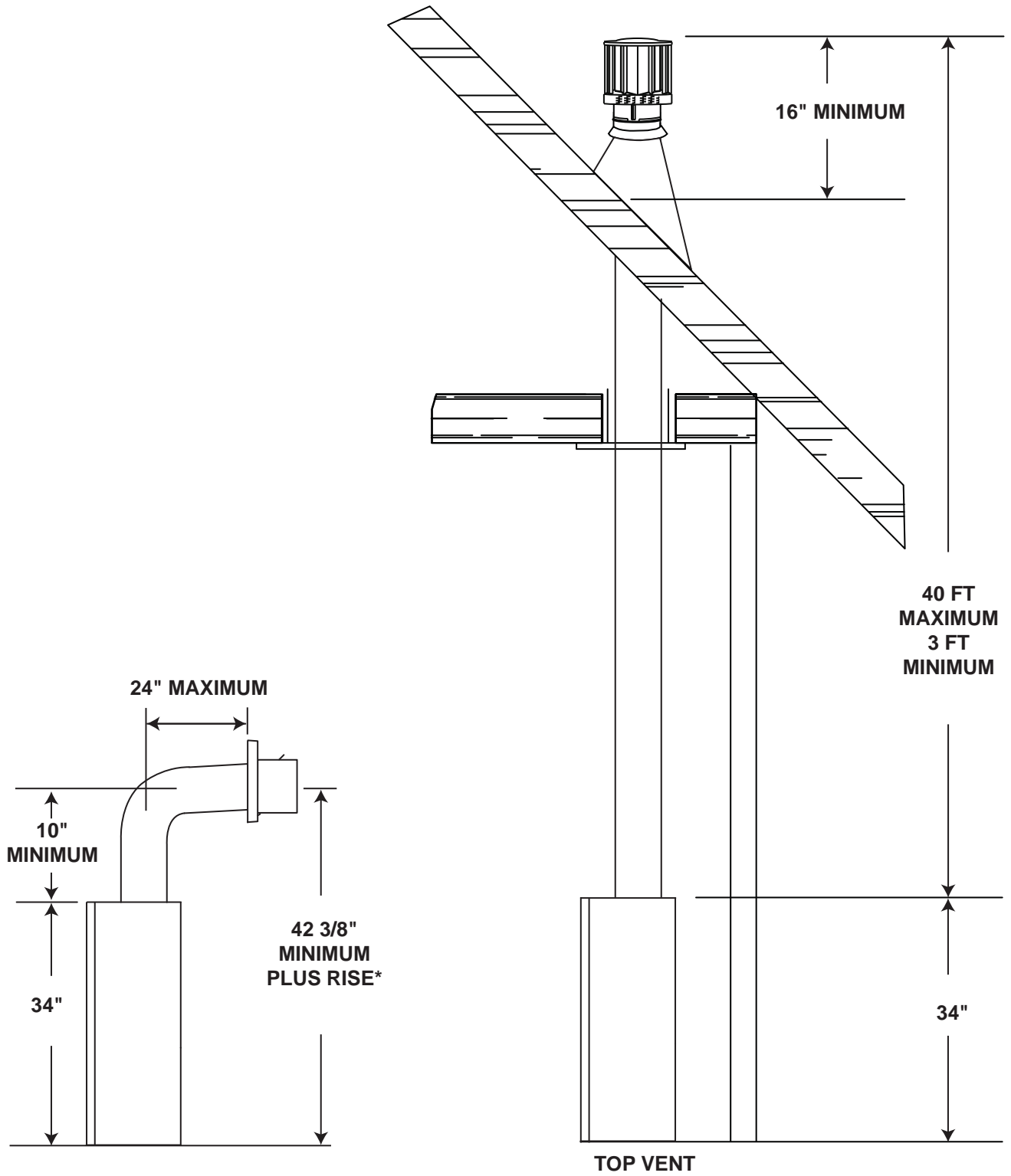
3.2 TYPICAL VENT INSTALLATIONS

REQUIRED RISE ON HORIZONTAL VENTING		
REAR VENT	RIGID	0" / FT
	FLEXIBLE	0" / FT
TOP VENT	RIGID	0" / FT
	FLEXIBLE	0" / FT
CORNER VENT	RIGID	0"
	FLEXIBLE	6"

For optimum performance, it is recommended that all horizontal runs have a 1" rise per foot.



* See "VENTING" section.

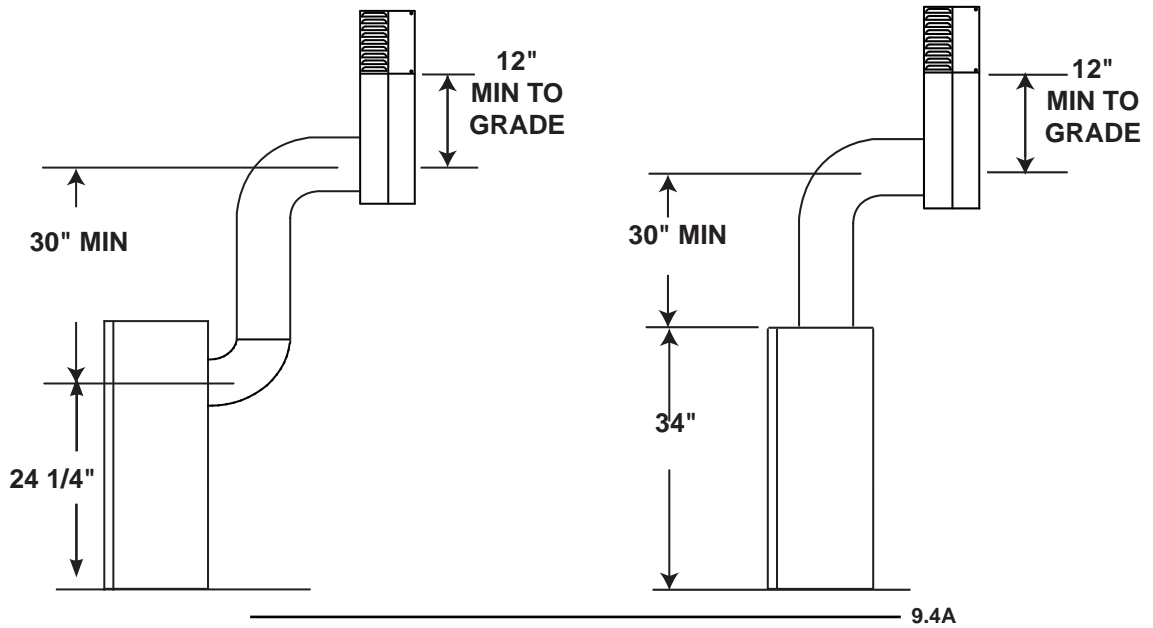


* See "VENTING" section.

3.3 SPECIAL VENT INSTALLATIONS

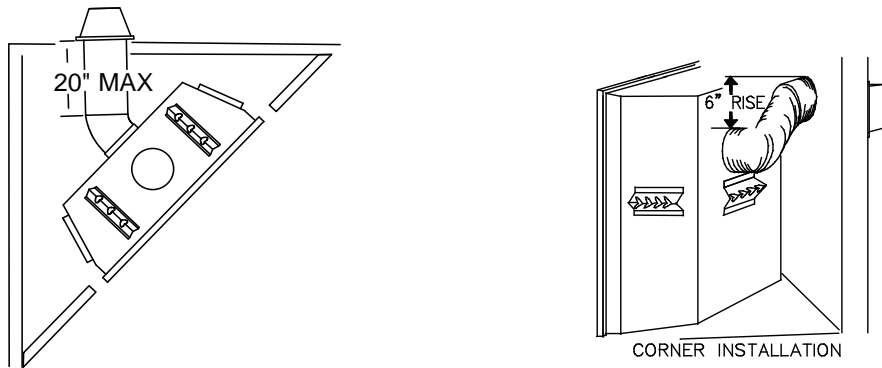
3.3.1 PERISCOPE TERMINATION

Use the periscope kit to locate the air termination above grade. The periscope must be installed so that when final grading is completed, the bottom air slot is located a minimum 12" above grade. The maximum allowable vent length is 10' for a fireplace and 8' for a stove.

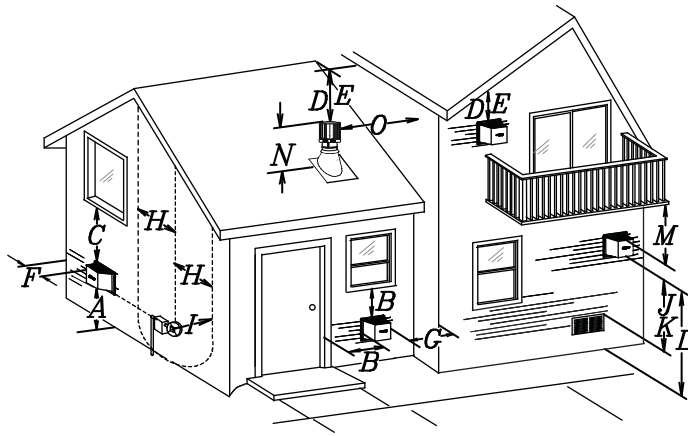


3.3.2 CORNER TERMINATION

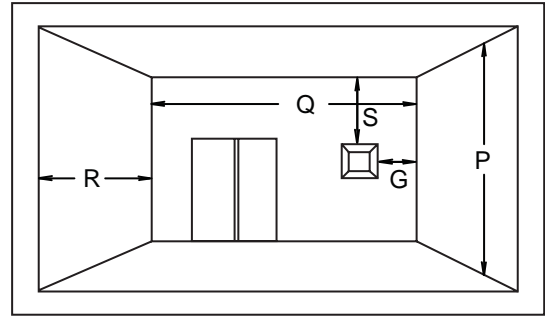
The maximum vent length for a corner installation is 20" of horizontal run, in addition to the 45° offset. In this case zero rise is acceptable when using rigid. Flexible venting must maintain a 6" rise.



3.4 VENT TERMINAL CLEARANCES



COVERED BALCONY APPLICATIONS ††*



Q_{MIN}	= 3 feet
R_{MAX}	= 2 x Q_{ACTUAL}
R_{MAX}	≤ 15 feet

	INSTALLATIONS		
	CANADA	U.S.A.	
A	12"	12"	Clearance above grade, veranda porch, deck or balcony.
B	12" ^Δ	9" ^Δ	Clearance to windows or doors that open.
C	12" *	12" *	Clearance to permanently closed windows.
D	18" **	18" **	Vertical clearance to ventilated soffits located above the terminal within a horizontal distance of 2' from the center line of the terminal.
E	12" **	12" **	Clearance to unventilated soffit.
F	0"	0"	Clearance to an outside corner wall.
G	0" ***	0" ***	Clearance to an inside non-combustible corner wall or protruding non-combustible obstructions (chimney, etc.).
	2" ***	2" ***	Clearance to an inside combustible corner wall or protruding combustible obstructions (vent chase, etc.).
H	3'	3' ****	Clearance to each side of the center line extended above the meter / regulator assembly to a maximum vertical distance of 15'.
I	3'	3' ****	Clearance to a service regulator vent outlet.
J	12"	9"	Clearance to a non-mechanical air supply inlet to the building or a combustion air inlet to any other appliance.
K	6'	3' †	Clearance to a mechanical air supply inlet.
L	7' ‡	7' ****	Clearance above a paved sidewalk or paved driveway located on public property.
M	12" ††	12" ****	Clearance under a veranda, porch or deck.
N	16"	16"	Clearance above the roof.
O	2' †*	2' †*	Clearance from an adjacent wall including neighbouring buildings.
P	8'	8'	Roof must be non-combustible without openings.
Q	3'	3'	See chart for wider wall dimensions.
R	6'	6'	See chart for deeper wall dimensions. The terminal shall not be installed on any wall that has an opening between the terminal and the open side of the structure.
S	12"	12"	Clearance under a covered balcony

^Δ The terminal shall not be located less than 6 feet under a window that opens on a horizontal plane in a structure with three walls and a roof.

* Recommended to prevent condensation on windows and thermal breakage

** It is recommended to use a heat shield and to maximize the distance to vinyl clad soffits.

*** The periscope requires a minimum 18 inches clearance from an inside corner.

**** This is a recommended distance. For additional requirements check local codes.

† 3 feet above if within 10 feet horizontally.

‡ A vent shall not terminate where it may cause hazardous frost or ice accumulations on adjacent property surfaces.

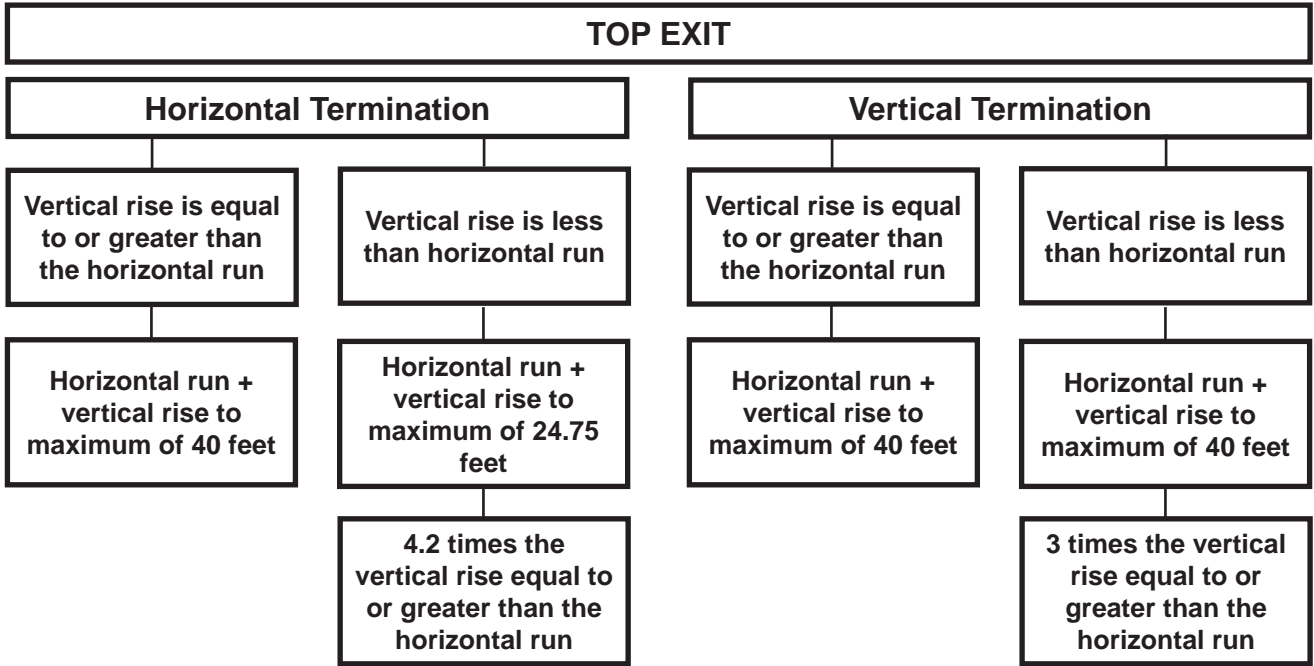
†† Permitted only if the veranda, porch, or deck is fully open on a minimum of two sides beneath the floor.

†* Recommended to prevent recirculation of exhaust products. For additional requirements check local codes.

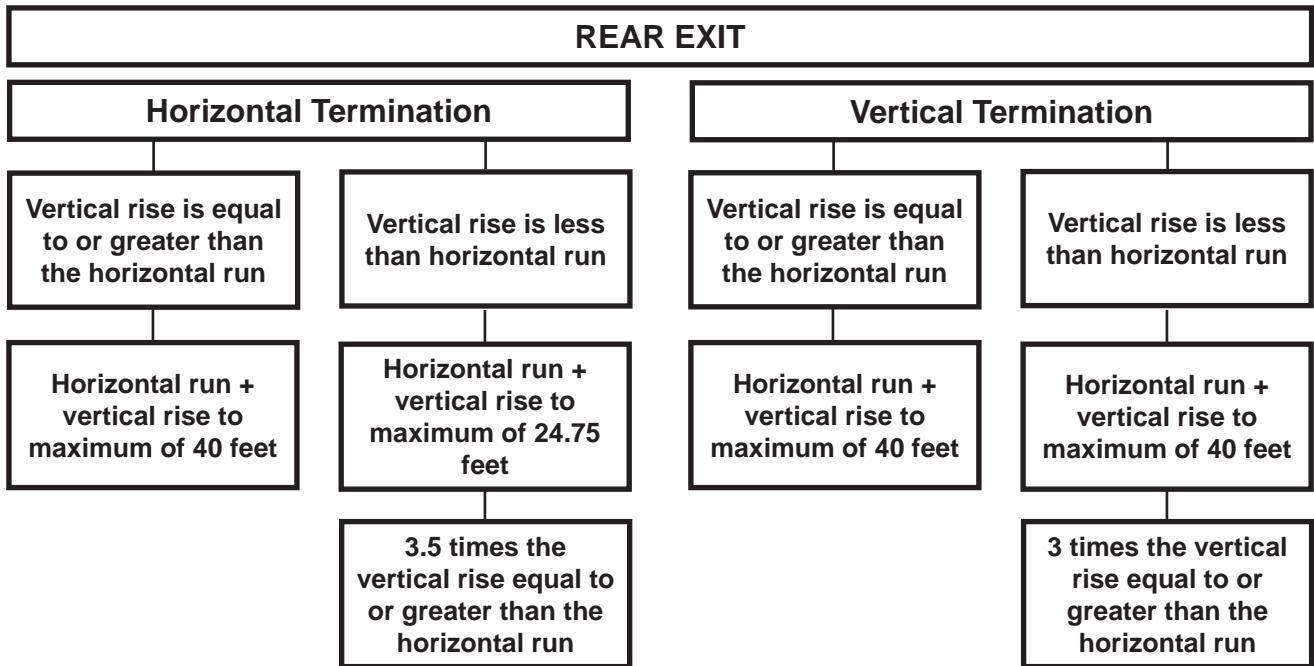
††* Permitted only if the balcony is fully open on a minimum of one side.

NOTE: Clearances are in accordance with local installation codes and the requirements of the gas supplier.

3.5 VENT APPLICATION FLOW CHART



13.1



13.2

3.6 DEFINITIONS

For the following symbols used in the venting calculations and examples are:

> - greater than

≥ - equal to or greater than

< - less than

≤ - equal to or less than

H_T - total of both horizontal vent lengths (H_r) and offsets (H_o) in feet

H_R - combined horizontal vent lengths in feet

H_O - offset factor: .03 (total degrees of offset - 90°*) in feet

V_T - combined vertical vent lengths in feet

14.1

3.7 ELBOW VENT LENGTH VALUES

	<u>FEET</u>	<u>INCHES</u>
1°	0.03	0.5
15°	0.45	6.0
30°	0.9	11.0
45°	1.35	16.0
90°*	2.7	32.0

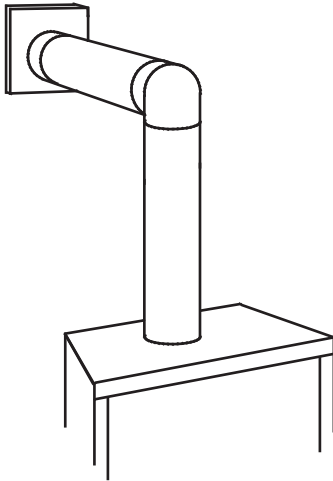
* The first 90° offset has a zero value and is shown in the formula as - 90°

15.1

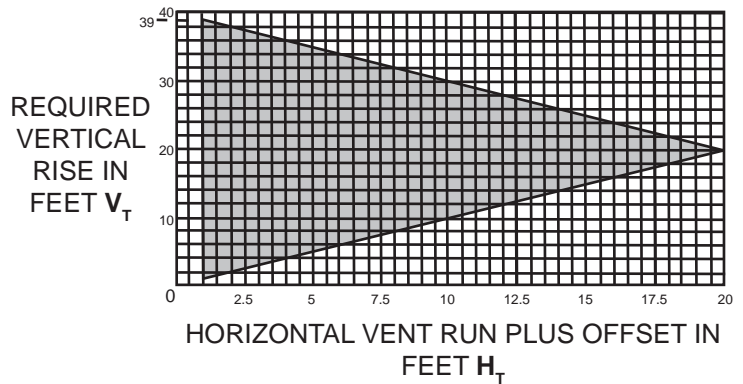
3.8 TOP EXIT HORIZONTAL TERMINATION

$$(H_T) \leq (V_T)$$

Simple venting configuration (only one 90° elbow)



See graph to determine the required vertical rise V_T for the required horizontal run H_T



The shaded area within the lines represents acceptable values for H_T and V_T

For vent configurations requiring more than one 90° elbow, the following formulas apply:

Formula 1: $H_T \leq V_T$

Formula 2: $H_T + V_T \leq 40$ feet

Example:

$V_1 = 3$ FT

$V_2 = 8$ FT

$V_T = V_1 + V_2 = 3$ FT + 8 FT = 11 FT

$H_1 = 2.5$ FT

$H_2 = 2$ FT

$H_R = H_1 + H_2 = 2.5 + 2 = 4.5$ FT

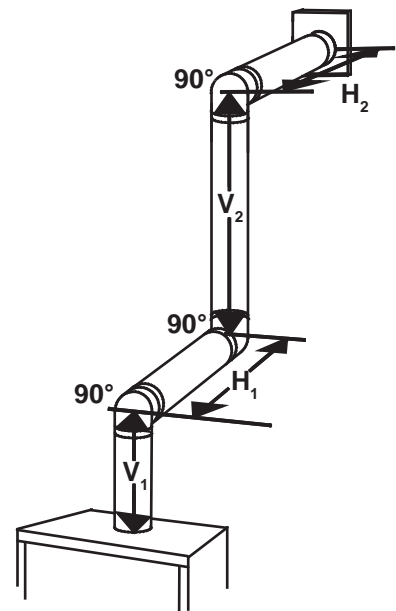
$H_o = .03$ (three 90° elbows - 90°) = $.03$ (270° - 90°) = 5.4 FT

$H_T = H_R + H_o = 4.5 + 5.4 = 9.9$ FT

$H_T + V_T = 9.9 + 11 = 20.9$ FT

Formula 1: $H_T \leq V_T$
 $9.9 \leq 11$

Formula 2: $H_T + V_T \leq 40$ FT
 $20.9 \leq 40$



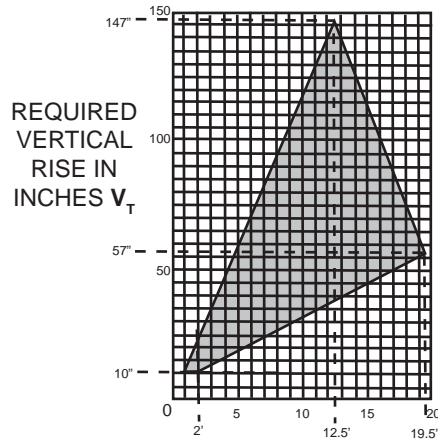
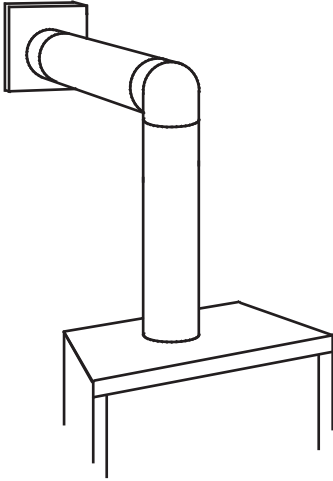
Since both formulas are met, this vent configuration is acceptable.

16.1A

$(H_T) > (V_T)$

**Simple venting configuration
(only one 90° elbow)**

See graph to determine the required vertical rise V_T for the required horizontal run H_T .



HORIZONTAL VENT RUN PLUS OFFSET IN FEET H_T

The shaded area within the lines represents acceptable values for H_T and V_T

For vent configurations requiring more than one 90° elbow, the following formulas apply:

Formula 1: $H_T \leq 4.2 V_T$

Formula 2: $H_T + V_T \leq 24.75$ feet

Example:

$V_1 = V_T = 6$ FT

$H_1 = 3$ FT

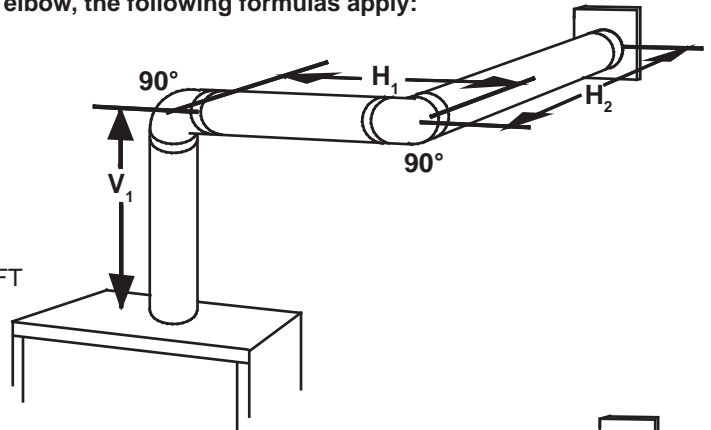
$H_2 = 5$ FT

$H_R = H_1 + H_2 = 3 + 5 = 8$ FT

$H_O = .03$ (two 90° elbows - 90°) = .03 (180° - 90°) = 2.7 FT

$H_T = H_R + H_O = 8 + 2.7 = 10.7$ FT

$H_T + V_T = 10.7 + 6 = 16.7$ FT



Formula 1:

$H_T \leq 4.2 V_T$
 $4.2 V_T = 4.2 \times 6 = 25.2$ FT

Formula 2:

$H_T + V_T \leq 24.75$ FT
 $16.7 \leq 24.75$

Since both formulas are met, this vent configuration is acceptable.

Example:

$V_1 = 4$ FT

$V_2 = 1.5$ FT

$V_T = V_1 + V_2 = 4 + 1.5 = 5.5$ FT

$H_1 = 2$ FT

$H_2 = 1$ FT

$H_3 = 1$ FT

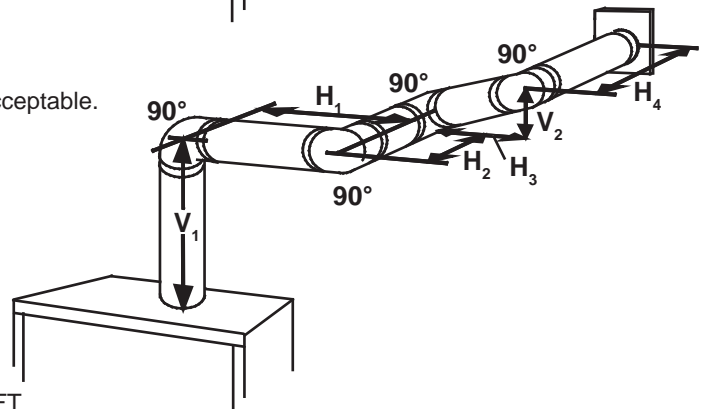
$H_4 = 1.5$ FT

$H_R = H_1 + H_2 + H_3 + H_4 = 2 + 1 + 1 + 1.5 = 5.5$ FT

$H_O = .03$ (four 90° elbows - 90°) = .03 (360° - 90°) = 8.1 FT

$H_T = H_R + H_O = 5.5 + 8.1 = 13.6$ FT

$H_T + V_T = 13.6 + 5.5 = 19.1$ FT



Formula 1:

$H_T \leq 4.2 V_T$
 $4.2 V_T = 4.2 \times 5.5 = 23.1$ FT

Formula 2:

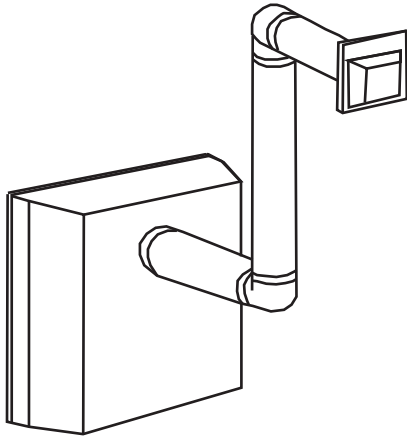
$H_T + V_T \leq 24.75$ FT
 $19.1 \leq 24.75$

Since both formulas are met, this vent configuration is acceptable.

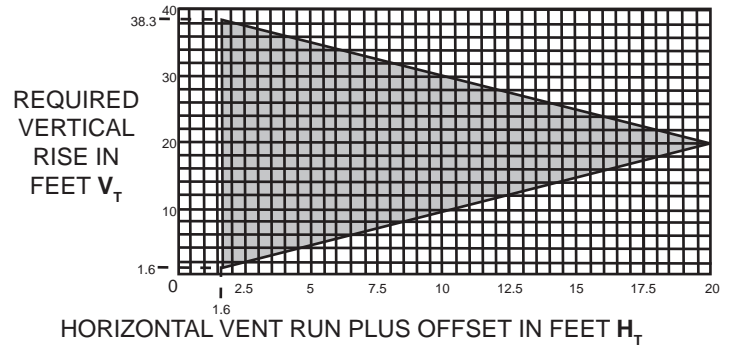
3.9 REAR EXIT HORIZONTAL TERMINATION

$$(H_T) \leq (V_T)$$

Simple venting configuration
(only two 90° elbows)



See graph to determine the required vertical rise V_T for the required horizontal run H_T .



The shaded area within the lines represents acceptable values for H_T and V_T

For vent configurations requiring more than two 90° elbows, the following formulas apply:

Formula 1: $H_T \leq V_T$

Formula 2: $H_T + V_T \leq 40$ feet

Example:

$V_1 = 9$ FT

$V_2 = 6$ FT

$V_T = V_1 + V_2 = 9 + 6 = 15$ FT

$H_1 = 3$ FT

$H_2 = 2$ FT

$H_3 = 1.5$ FT

$H_R = H_1 + H_2 + H_3 = 3 + 2 + 1.5 = 6.5$ FT

$H_O = .03$ (four 90° elbows - 90°) = $.03 (360^\circ - 90^\circ) = 8.1$ FT

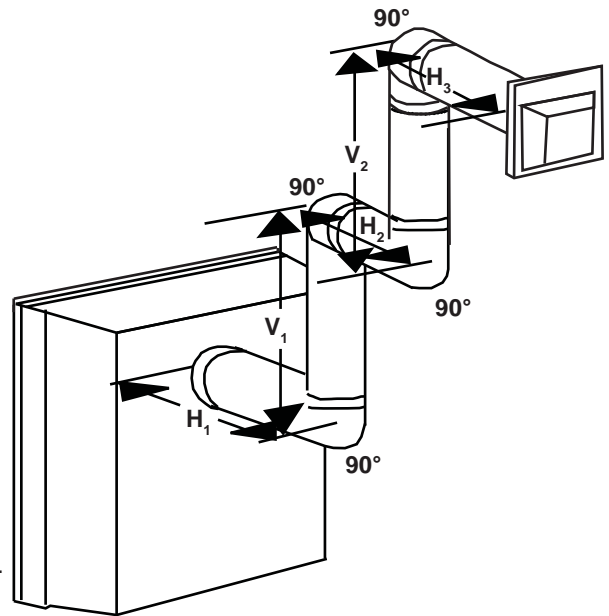
$H_T = H_R + H_O = 6.5 + 8.1 = 14.6$ FT

$H_T + V_T = 14.6 + 15 = 29.6$ FT

Formula 1: $H_T \leq V_T$
 $14.6 \leq 15$

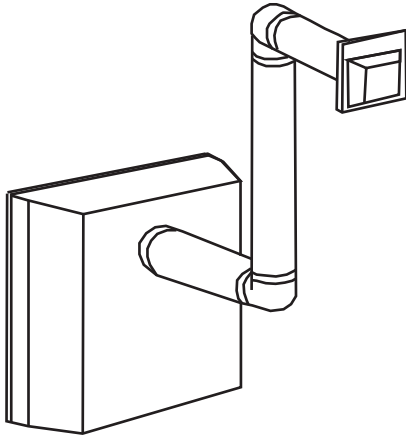
Formula 2: $H_T + V_T \leq 40$ FT
 $29.6 \leq 40$

Since both formulas are met, this vent configuration is acceptable.

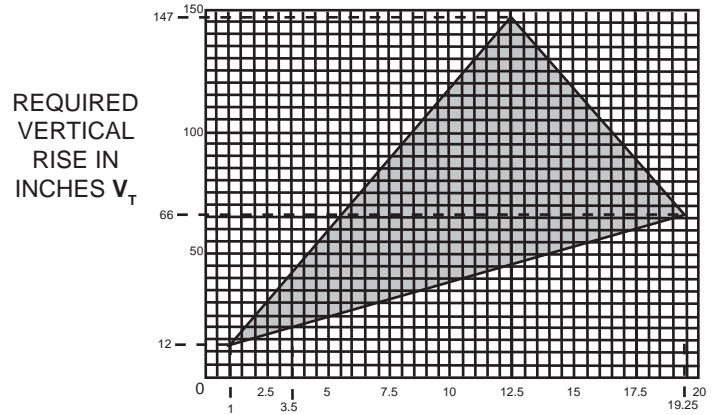


$(H_T) > (V_T)$

**Simple venting configuration
(only two 90° elbows)**



See graph to determine the required vertical rise V_T for the required horizontal run H_T .



HORIZONTAL VENT RUN PLUS OFFSET IN FEET H_T

The shaded area within the lines represents acceptable values for H_T and V_T

For vent configurations requiring more than two 90° elbows, the following formulas apply:

Formula 1: $H_T \leq 3.5V_T$

Formula 2: $H_T + V_T \leq 24.75$ feet

Example:

$V_1 = 4$ FT

$V_2 = 1.5$ FT

$V_T = V_1 + V_2 = 4 + 1.5 = 5.5$ FT

$H_1 = 2$ FT

$H_2 = 1$ FT

$H_3 = 1$ FT

$H_4 = 1.5$ FT

$H_R = H_1 + H_2 + H_3 + H_4 = 2 + 1 + 1 + 1.5 = 5.5$ FT

$H_o = .03$ (four 90° elbows + one 45° elbow - 90°)

$= .03 (90 + 90 + 90 + 90 + 45 - 90) = 9.45$ FT

$H_T = H_R + H_o = 5.5 + 9.45 = 14.95$ FT

$H_T + V_T = 14.95 + 5.5 = 20.45$ FT

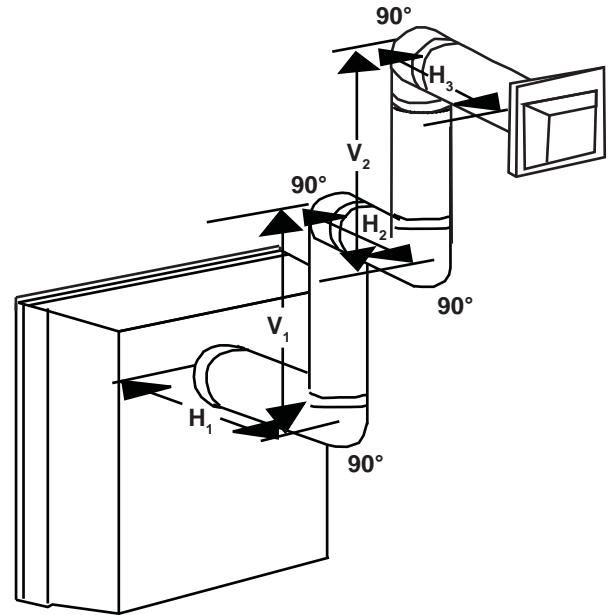
Formula 1: $H_T \leq 3.5V_T$
 $3.5V_T = 3.5 \times 5.5 = 19.25$ FT

$14.95 \leq 19.25$

Formula 2: $H_T + V_T \leq 24.75$ FT

$20.45 \leq 24.75$

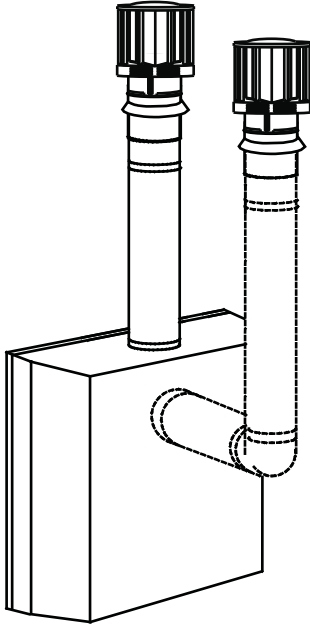
Since both formulas are met, this vent configuration is acceptable.



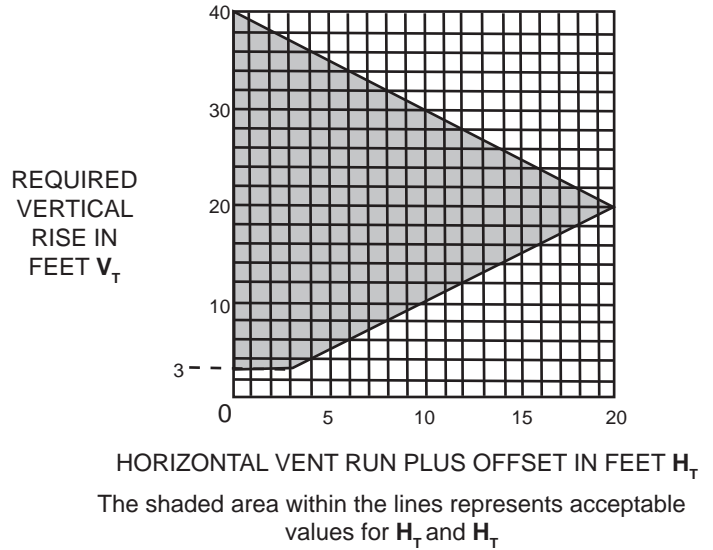
3.10 TOP OR REAR EXIT VERTICAL TERMINATION

$$(H_T) \leq (V_T)$$

Simple venting configurations.



See graph to determine the required vertical rise V_T for the required horizontal run H_T .



For vent configurations requiring one or more 90° elbows (top exit) or one or more 90° elbows (rear exit), the following formulas apply:

Formula 1: $H_T \leq V_T$

Formula 2: $H_T + V_T \leq 40$ feet

Example:

$V_1 = 5$ FT

$V_2 = 6$ FT

$V_3 = 10$ FT

$V_T = V_1 + V_2 + V_3 = 5 + 6 + 10 = 21$ FT

$H_1 = 8$ FT

$H_2 = 2.5$ FT

$H_R = H_1 + H_2 = 8 + 2.5 = 10.5$ FT

$H_O = .03$ (four 90° elbows - 90°)

$= .03$ (360° - 90°) = 8.1 FT

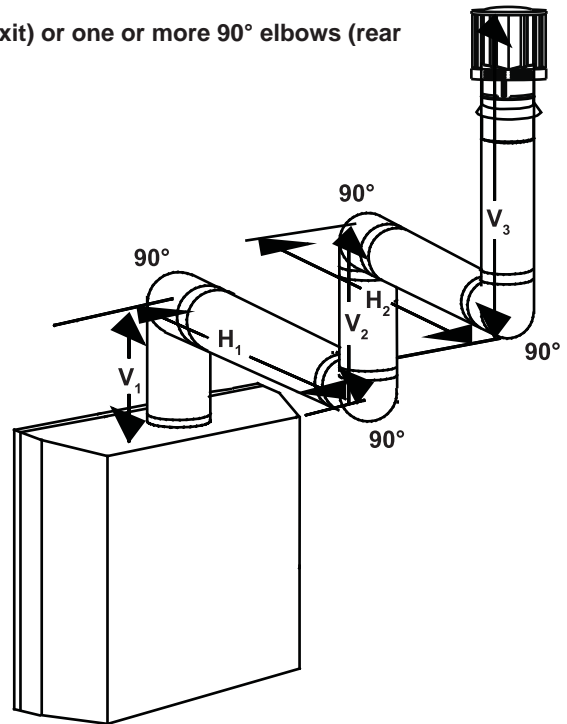
$H_T = H_R + H_O = 10.5 + 8.1 = 18.6$ FT

$H_T + V_T = 18.6 + 21 = 39.6$ FT

Formula 1: $H_T \leq 3.5 V_T$
 $18.6 \leq 21$

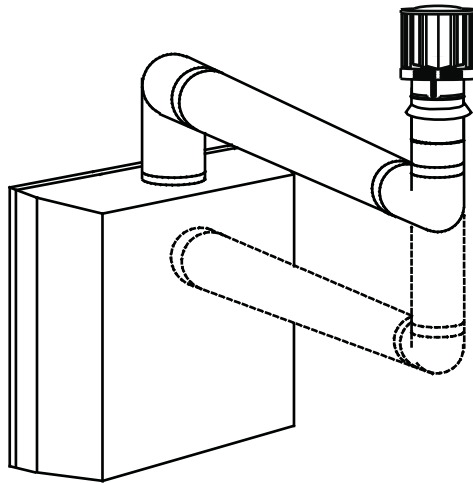
Formula 2: $H_T + V_T \leq 40$ FT
 $39.6 \leq 40$

Since both formulas are met, this vent configuration is acceptable.

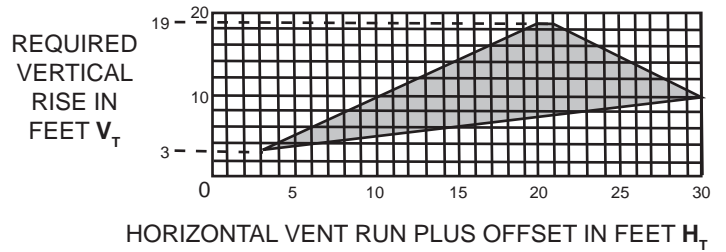


$(H_T) > (V_T)$

Simple venting configurations.



See graph to determine the required vertical rise V_T for the required horizontal run H_T .



The shaded area within the lines represents acceptable values for H_T and V_T

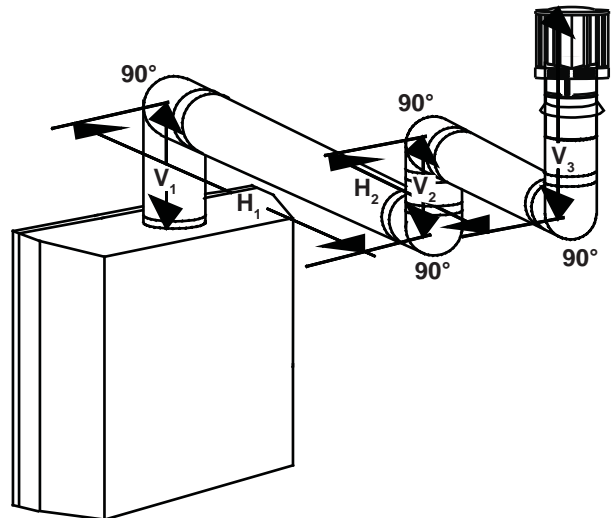
For vent configurations requiring more than two 90° elbows (top exit) or one 90° elbow (rear exit), the following formulas apply:

Formula 1: $H_T \leq 3 V_T$

Formula 2: $H_T + V_T \leq 40$ feet

Example:

$V_1 = 2$ FT
 $V_2 = 1$ FT
 $V_3 = 1.5$ FT
 $V_T = V_1 + V_2 + V_3 = 2 + 1 + 1.5 = 4.5$ FT
 $H_1 = 6$ FT
 $H_2 = 2$ FT
 $H_R = H_1 + H_2 = 6 + 2 = 8$ FT
 $H_o = .03$ (four 90° elbows - 90°)
 $= .03$ (360° - 90°) = 8.1 FT
 $H_T = H_R + H_o = 8 + 8.1 = 16.1$ FT
 $H_T + V_T = 16.1 + 4.5 = 20.6$ FT



Formula 1: $H_T \leq 3.5 V_T$
 $3.5 V_T = 3 \times 4.5 = 13.5$ FT
 $16.1 \leq 13.5$

Since this formula is not met, this vent configuration is **unacceptable**.

Formula 2: $H_T + V_T \leq 40$ FT
 $16.1 \leq 13.5$

Since only formula 2 is met, this vent configuration is unacceptable and a new fireplace location or vent configuration will need to be established to satisfy both formulas.

Example:

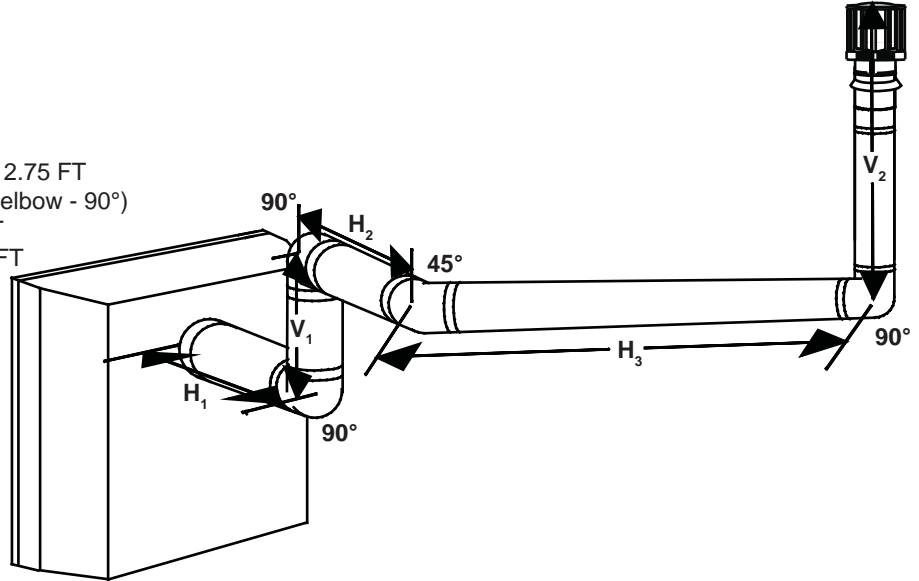
$V_1 = 1.5 \text{ FT}$
 $V_2 = 5 \text{ FT}$
 $V_T = V_1 + V_2 = 1.5 + 1 + 5 = 6.5 \text{ FT}$
 $H_1 = 1 \text{ FT}$
 $H_2 = 1 \text{ FT}$
 $H_3 = 10.75 \text{ FT}$
 $H_R = H_1 + H_2 + H_3 = 1 + 1 + 10.75 = 12.75 \text{ FT}$
 $H_O = .03 \text{ (four } 90^\circ \text{ elbows + one } 45^\circ \text{ elbow - } 90^\circ)$
 $\quad = .03 (360^\circ + 45^\circ - 90^\circ) = 6.75 \text{ FT}$
 $H_T = H_R + H_O = 12.75 + 6.75 = 19.5 \text{ FT}$
 $H_T + V_T = 19.5 + 6.5 = 26 \text{ FT}$

Formula 1:

$H_T \leq 3 V_T$
 $3 V_T = 3 \times 6.5 = 19.5 \text{ FT}$
 $19.5 = 19.5$

Formula 2:

$H_T + V_T \leq 40 \text{ FT}$
 $26 \leq 40$



Since both formulas are met, this vent configuration is acceptable.

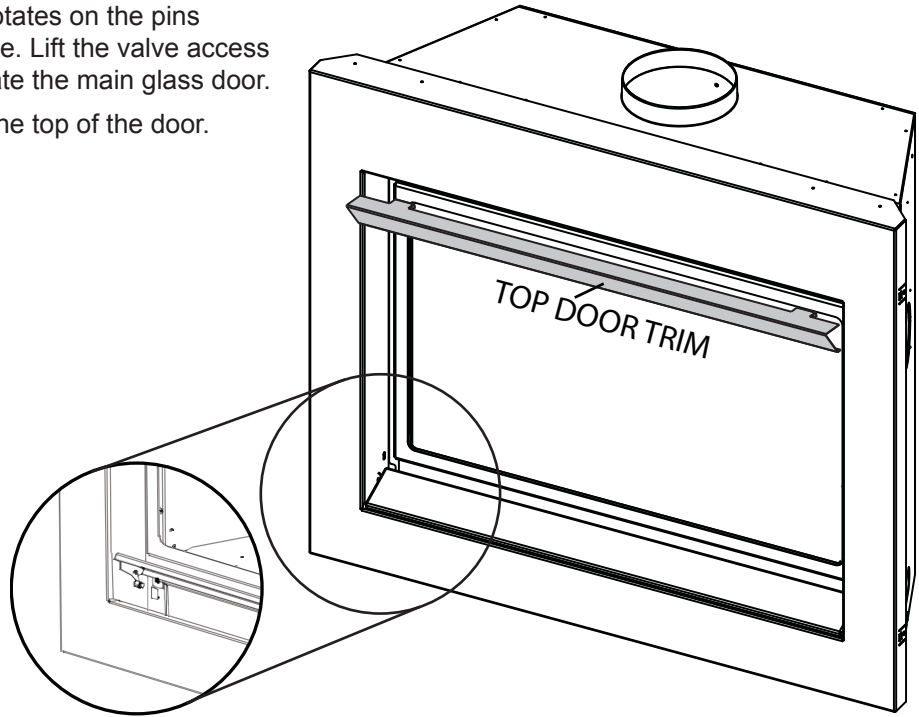
18.2_3

4.0 PRE-INSTALLATION PREPARATION

For optimum performance, it is recommended that all horizontal runs have a 1" rise per foot.

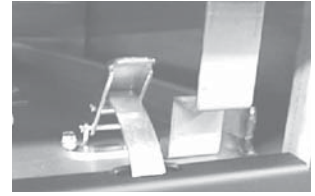
4.1 REMOVING THE VALVE ACCESS DOOR AND TOP DOOR TRIM

- A. The valve access door rotates on the pins attached to the side frame. Lift the valve access door off the pins to operate the main glass door.
- B. Lift the top door trim off the top of the door.



4.2 DOOR OPERATION

To access the lower door latch, open the Valve Access Door as illustrated. Release the top and bottom door latches, located at the right side of the door.



4.3 REAR EXIT

! WARNING

FAILURE TO INSTALL THE CAP WILL CAUSE THE APPLIANCE TO FUNCTION IMPROPERLY AND CAN CAUSE INJURY OR PROPERTY DAMAGE.

From inside the firebox, insert the 4" flue pipe / gasket assembly (provided) through the rear of the firebox. Secure the gasket assembly to the rear and top of the appliance using 4 #8 x 3/4 inch Hex Head Wildrill screws supplied.

Do not overtighten. The gasket needs only to be snug against the firebox.

Before attaching elbows to the collars on the back of the appliance, 1 1/2" will need to be trimmed off the 4" collar.



4.4 TOP VENT

! WARNING

FAILURE TO INSTALL THE CAP WILL CAUSE THE APPLIANCE TO FUNCTION IMPROPERLY AND CAN CAUSE INJURY OR PROPERTY DAMAGE.

- A. Remove the 7" diameter cap from the top of the appliance and re-secure it over the 7" collar located at the rear of the appliance. Press firmly on the cap while securing to ensure an airtight seal. Do not damage the gasket.
- B. Remove the plate covering the 4" diameter flue opening (seen inside the top of the 7" diameter collar) and discard. Try not to disturb the retaining ring or the gasket beneath. Re-secure the ring and gasket using the screws removed from the plate.
- C. From inside the firebox, insert the 4" flue pipe / gasket assembly through the heat shield and out through the retaining ring. Secure the assembly to the rear and top of the appliance using 4 #8 x 3/4" Hex Head Wildrill screws supplied. Do not overtighten. The gasket needs only to be snug against the firebox.



5.0 INSTALLATION

WARNING

FOR SAFE AND PROPER OPERATION OF THE APPLIANCE, FOLLOW THE VENTING INSTRUCTIONS EXACTLY.

ALL INNER EXHAUST AND OUTER INTAKE VENT PIPE JOINTS MAY BE SEALED USING EITHER RED RTV HIGH TEMP SILICONE SEALANT W573-0002 (NOT SUPPLIED) OR BLACK HIGH TEMP MILL PAC W573-0007 (NOT SUPPLIED) WITH THE EXCEPTION OF THE APPLIANCE EXHAUST FLUE COLLAR WHICH MUST BE SEALED USING MILL PAC.

IF USING PIPE CLAMPS TO CONNECT VENT COMPONENTS, 3 SCREWS MUST ALSO BE USED TO ENSURE THE CONNECTION CANNOT SLIP OFF.

DO NOT CLAMP THE FLEXIBLE VENT PIPE.

RISK OF FIRE, EXPLOSION OR ASPHYXIATION. IMPROPER SUPPORT OF THE ENTIRE VENTING SYSTEM MAY ALLOW VENT TO SAG AND SEPARATE. USE VENT RUN SUPPORTS AND CONNECT VENT SECTIONS PER INSTALLATION INSTRUCTIONS.

RISK OF FIRE, DO NOT ALLOW LOOSE MATERIALS OR INSULATION TO TOUCH THE VENT PIPE. REMOVE INSULATION TO ALLOW FOR THE INSTALLATION OF THE ATTIC SHIELD AND TO MAINTAIN CLEARANCES TO COMBUSTIBLES.

68.2A

5.1 WALL AND CEILING PROTECTION

WARNING

DO NOT FILL THE SPACE BETWEEN THE VENT PIPE AND ENCLOSURE WITH ANY TYPE OF MATERIAL. DO NOT PACK INSULATION OR COMBUSTIBLES BETWEEN CEILING FIRESTOPS. ALWAYS MAINTAIN SPECIFIED CLEARANCES AROUND VENTING AND FIRESTOP SYSTEMS. INSTALL WALL SHIELDS AND FIRESTOPS AS SPECIFIED. FAILURE TO KEEP INSULATION OR OTHER MATERIALS AWAY FROM VENT PIPE MAY CAUSE FIRE.

70.1

For clearances to combustible materials from the vent pipe, see "FRAMING" section.

For optimum performance it is recommended that all horizontal runs have a minimum 1" rise per foot using flexible venting. For safe and proper operation of the appliance, follow the venting instructions exactly.

5.2 HORIZONTAL INSTALLATION

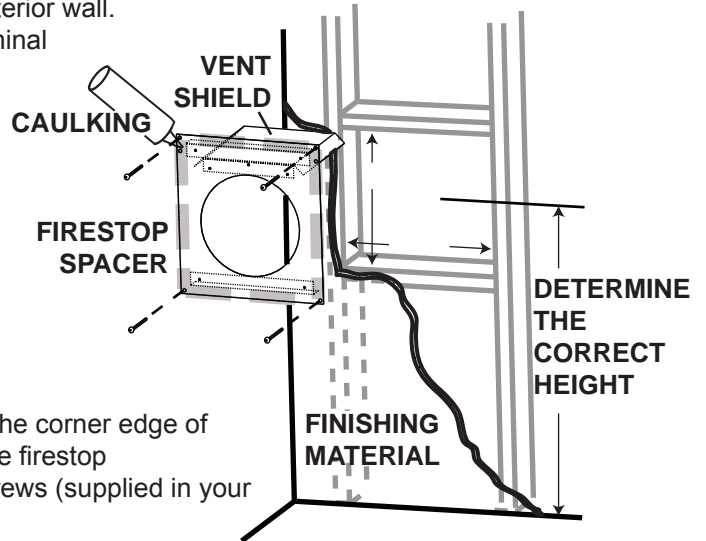
! WARNING

THE FIRESTOP ASSEMBLY MUST BE INSTALLED WITH THE VENT SHIELD TO THE TOP.

TERMINALS MUST NOT BE RECESSED INTO A WALL OR SIDING MORE THAN THE DEPTH OF THE RETURN FLANGE OF THE MOUNTING PLATE.

This application occurs when venting through an exterior wall. Having determined the correct height for the air terminal location, cut and frame a hole in the exterior wall as illustrated to accommodate the firestop assembly. Dry fit the firestop assembly before proceeding to ensure the brackets on the rear surface fit to the inside surface of the horizontal framing.

The length of the vent shield may be cut shorter for combustible walls that are less than 8 1/2" thick but the vent shield must extend the full depth of the combustible wall.



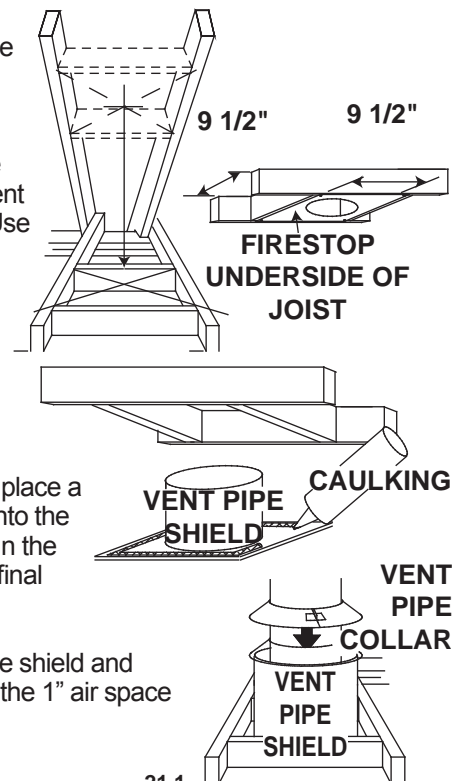
- A. Apply a bead of caulking (not supplied) around the corner edge of the inside surface of the firestop assembly, fit the firestop assembly to the hole and secure using the 4 screws (supplied in your manual baggie).
- B. Once the vent pipe is installed in its final position, apply high temperature sealant W573-0007 (not supplied) between the pipe and the firestop.

20.2

5.3 VERTICAL INSTALLATION

This application occurs when venting through a roof. Installation kits for various roof pitches are available from your authorized dealer / distributor. See accessories to order specific kits required.

- A. Determine the air terminal location, cut and frame a square opening as illustrated in the ceiling and the roof to provide the minimum 1" clearance between the vent pipe and any combustible material. Try to center the vent pipe location midway between two joists to prevent having to cut them. Use a plumb bob to line up the center of the openings. A vent pipe shield will prevent any materials such as insulation, from filling up the 1" air space around the pipe. Nail headers between the joist for extra support.
- B. Apply a bead of caulking (not supplied) to the framework or to the Wolf Steel vent pipe shield plate or equivalent (in the case of a finished ceiling), and secure over the opening in the ceiling. A firestop must be placed on the bottom of each framed opening in a roof or ceiling that the venting system passes through. Apply a bead of caulking all around and place a firestop spacer over the vent shield to restrict cold air from being drawn into the room or around the fireplace. Ensure that both spacer and shield maintain the required clearance to combustibles. Once the vent pipe is installed in its final position, apply sealant between the pipe and the firestop assembly.
- C. In the attic, slide the vent pipe collar down to cover up the open end of the shield and tighten. This will prevent any materials, such as insulation, from filling up the 1" air space around the pipe.



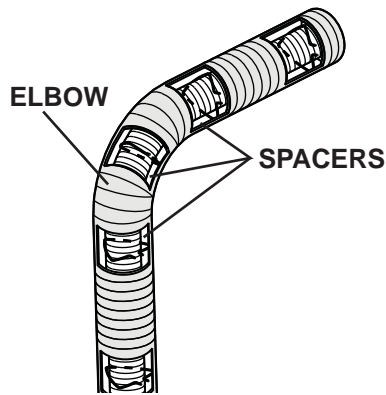
21.1

5.4 USING FLEXIBLE VENT COMPONENTS

! WARNING

DO NOT ALLOW THE INNER FLEX PIPE TO BUNCH UP ON HORIZONTAL OR VERTICAL RUNS AND ELBOWS. KEEP IT PULLED TIGHT.

SPACERS ARE ATTACHED TO THE INNER FLEX PIPE AT PREDETERMINED INTERVALS TO MAINTAIN AN EVEN AIR GAP TO THE OUTER FLEX PIPE. THIS GAP IS REQUIRED FOR SAFE OPERATION. A SPACER IS REQUIRED AT THE START, MIDDLE AND END OF EACH ELBOW TO ENSURE THIS GAP IS MAINTAINED. THESE SPACERS MUST NOT BE REMOVED.



For safe and proper operation of the appliance, follow the venting instructions exactly.

All inner flex pipe and outer flex pipe joints may be sealed using high temperature sealant W573-0002 (not supplied) or the high temperature sealant W573-0007 Mill Pac (not supplied). However, the high temperature sealant W573-0007 Mill Pac (not supplied) must be used on the joint connecting the inner flex pipe and the exhaust flue collar.

Use only approved flexible vent pipe kits marked:



“Wolf Steel Approved Venting” as identified by the stamp only on the outer flex pipe.

22.1

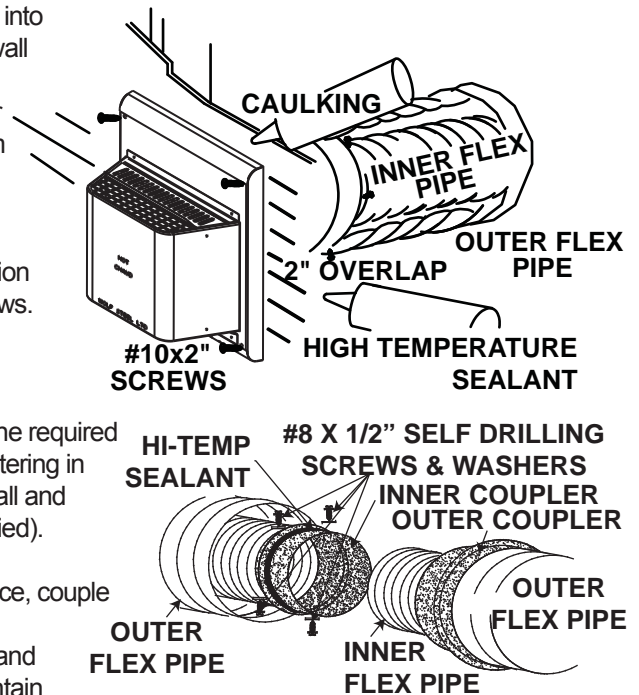
5.4.1 HORIZONTAL AIR TERMINAL INSTALLATION

A. Stretch the inner flex pipe to the required length taking into account the additional length needed for the finished wall surface. Apply a heavy bead of the high temperature sealant W573-0007 Mill Pac (not supplied) to the inner sleeve of the air terminal. Slip the vent pipe a minimum of 2” over the inner sleeve of the air terminal and secure with 3 #8 screws.

B. Using the outer flex pipe, slide over the outer combustion air sleeve of the air terminal and secure with 3 #8 screws. Seal using high temperature sealant W573-0002 (not supplied).

C. Insert the vent pipes through the firestop maintaining the required clearance to combustibles. Holding the air terminal (lettering in an upright, readable position), secure to the exterior wall and make weather tight by sealing with caulking (not supplied).

D. If more vent pipe needs to be used to reach the fireplace, couple them together as illustrated. The vent system must be supported approximately every 3 feet for both vertical and horizontal runs. Use noncombustible strapping to maintain the minimum clearance to combustibles.



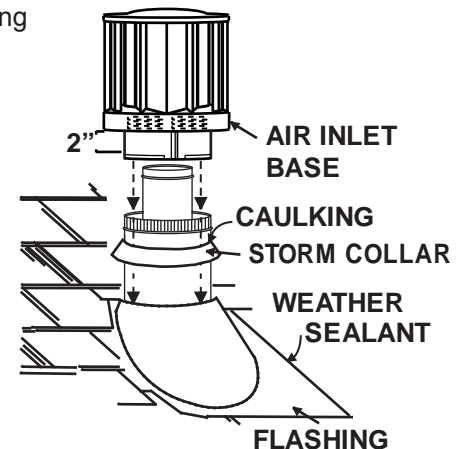
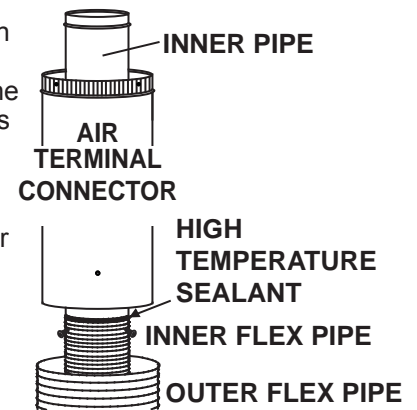
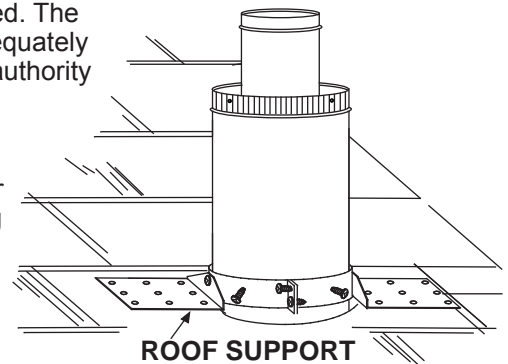
The air terminal mounting plate may be recessed into the exterior wall or siding no greater than the depth of its return flange.

23.1A

5.4.2 VERTICAL AIR TERMINAL INSTALLATION

! WARNING**MAINTAIN A MINIMUM 2" SPACE BETWEEN THE AIR INLET BASE AND THE STORM COLLAR.**

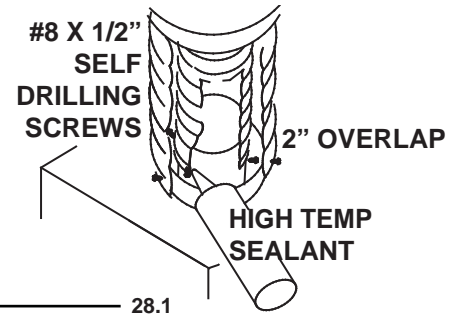
- A.** Fasten the roof support to the roof using the screws provided. The roof support is optional. In this case the venting is to be adequately supported using either an alternate method suitable to the authority having jurisdiction or the optional roof support.
- B.** Stretch the inner flex pipe to the required length. Slip the inner flex pipe a minimum of 2" over the inner pipe of the air terminal connector and secure with 3 #8 screws. Seal using a heavy bead of high temperature sealant W573-0007 (not supplied).
- C.** Repeat using the outer flex pipe, using a heavy bead of high temperature sealant W573-0002 (not supplied).
- D.** Thread the air terminal connector / vent pipe assembly down through the roof. The air terminal must be positioned vertically and plumb. Attach the air terminal connector to the roof support, ensuring that the top of the air terminal is 16" above the highest point that it penetrates the roof.
- E.** Remove nails from the shingles, above and to the sides of the air terminal connector. Place the flashing over the air terminal connector leaving a min. 3/4" of the air terminal connector showing above the top of the flashing. Slide the flashing underneath the sides and upper edge of the shingles. Ensure that the air terminal connector is properly centred within the flashing, giving a 3/4" margin all around. Fasten to the roof. Do not nail through the lower portion of the flashing. Make weather-tight by sealing with caulking. Where possible, cover the sides and top edges of the flashing with roofing material.
- F.** Aligning the seams of the terminal and air terminal connector, place the terminal over the air terminal connector making sure the vent pipe goes into the hole in the terminal. Secure with the three screws provided.
- G.** Apply a heavy bead of weatherproof caulking 2" above the flashing. Install the storm collar around the air terminal and slide down to the caulking. Tighten to ensure that a weather-tight seal between the air terminal and the collar is achieved.
- H.** If more vent pipe needs to be used to reach the appliance see "HORIZONTAL AIR TERMINAL INSTALLATION" section.



24.1

5.4.3 APPLIANCE VENT CONNECTION

- A. Install the inner flex pipe to the appliance. Secure with 3 screws and flat washers. Seal the joint and screw holes using the high temperature sealant W573-0007 (not supplied).
- B. Install the outer flex pipe to the appliance. Attach and seal the joints using the high temperature sealant W573-0002 (not supplied).



5.5 USING RIGID VENT COMPONENTS

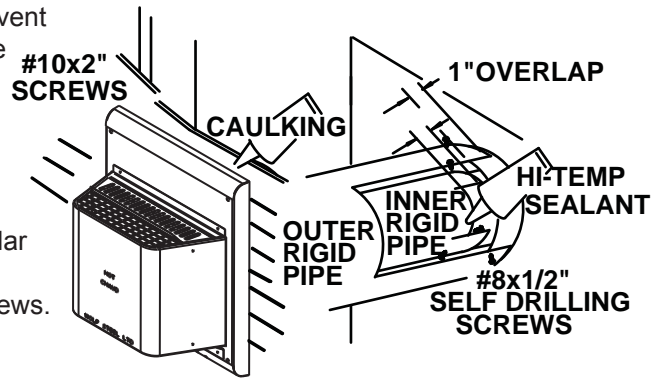
The vent system must be supported approximately every 3 feet for both vertical and horizontal runs. Use Wolf Steel Ltd. support ring assembly or equivalent noncombustible strapping to maintain the minimum clearance to combustibles for both vertical and horizontal runs.

All inner exhaust and outer intake vent pipe joints may be sealed using either red high temperature silicone sealant W573-0002 (not supplied) or black high temperature sealant W573-0007 Mill Pac (not supplied) with the exception of the appliance exhaust flue collar which must be sealed using Mill Pac.

25.1

5.5.1 HORIZONTAL AIR TERMINAL INSTALLATION

- A. Move the appliance into position. Measure the vent length required between terminal and appliance taking into account the additional length needed for the finished wall surface and any 1/4" overlaps between venting components.
- B. Apply high temperature sealant W573-0007 (not supplied) to the outer edge of the inner collar of the appliance. Attach the first inner rigid pipe component and secure using 3 self tapping screws. Repeat using the outer rigid pipe.
- C. Insert the vent pipes through the firestop maintaining the required clearance to combustibles. Holding the air terminal (lettering in an upright, readable position), secure to the exterior wall and make weather tight by sealing with caulking (not supplied).



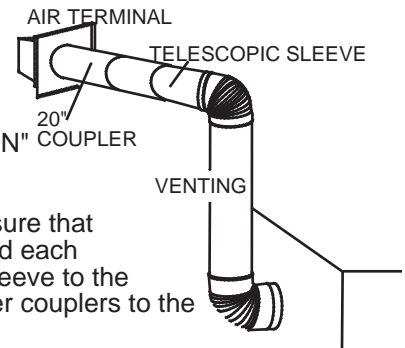
The air terminal mounting plate may be recessed into the exterior wall or siding no greater than the depth of the return flange.

26.1

5.5.2 EXTENDED HORIZONTAL AND CORNER TERMINAL INSTALLATION

A 45° corner installation can have 0" rise between the appliance combustion air collar and the air terminal. In this case, vent lengths must be kept to a maximum of 24". For longer vent lengths, a minimum vertical rise of 24" is required.

- A. Follow the instructions for "HORIZONTAL AIR TERMINAL INSTALLATION" section.
- B. Continue adding components alternating inner and outer vent pipes. Ensure that all inner vent pipes and elbows have sufficient vent spacers attached and each component is securely fastened to the one prior. Attach the telescopic sleeve to the vent run. Secure and seal. To facilitate completion, attach inner and outer couplers to the air terminal.
- C. Install the air terminal. See "HORIZONTAL AIR TERMINAL INSTALLATION" section. Extend the outer telescopic sleeve; connect to the air terminal assembly. Fasten with self tapping screws and seal.



5.6 VERTICAL THROUGH EXISTING CHIMNEY

! WARNING**RISK OF FIRE!**

CO-AXIAL TO CO-LINEAR VENTING CONFIGURATIONS MUST ONLY BE USED IN A NON-COMBUSTIBLE CHIMNEY OR ENCLOSURE. INSTALLATION IN A COMBUSTIBLE ENCLOSURE COULD RESULT IN A FIRE.

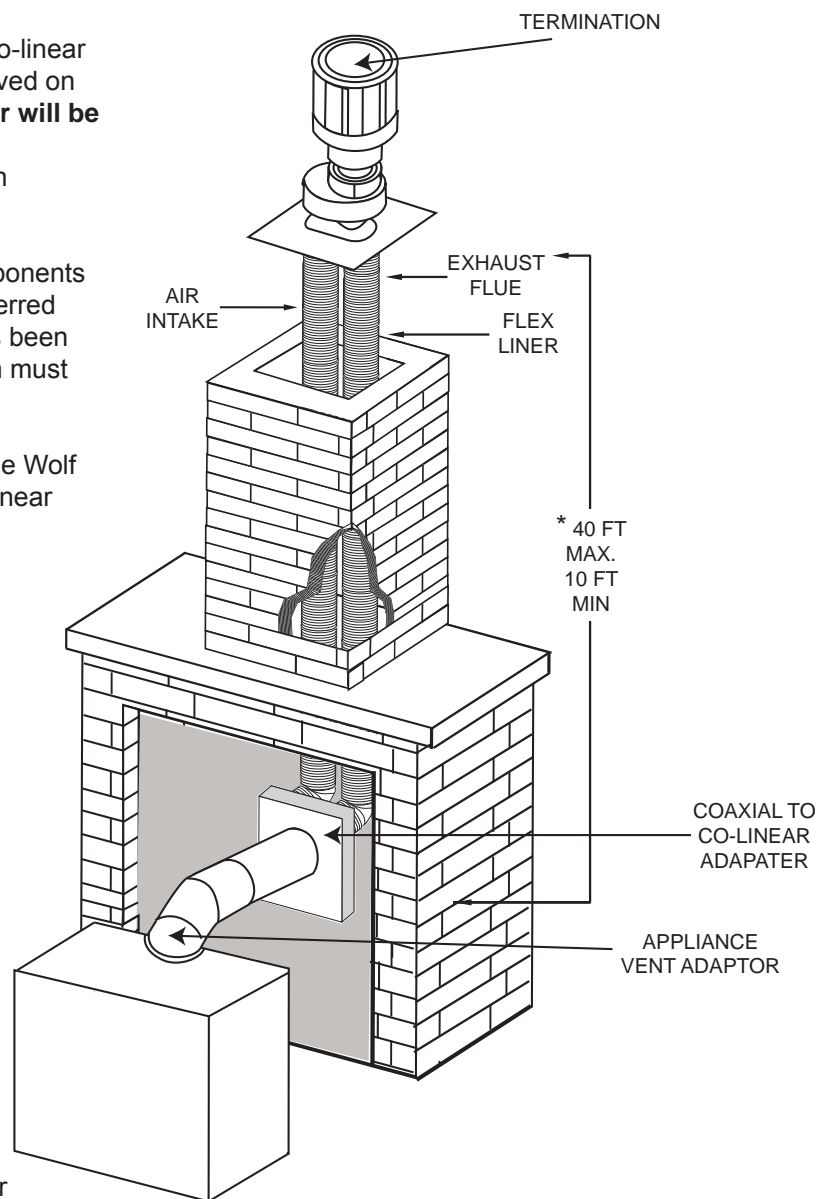
This appliance is designed to be attached to a 3" co-linear aluminum flex vent system running the full length of a masonry chimney.

The flex liners accommodate any contours of a masonry chimney, however, it is necessary to keep the flexible liners as straight as possible. The inlet air collar of the termination cap must be connected to the air intake flex liner and the exhaust collar must be connected to the exhaust flexible liner.

Both Simpson Duravent and Selkirk co-linear to co-axial adaptors have been approved on this appliance (**NOTE: A vent adaptor will be required directly off the appliance**). Follow vent manufacturer's installation instructions.

Different manufacturer's venting components must not be combined. Once the preferred manufacturer's appliance adaptor has been attached, the remainder of the system must be that of the same manufacturer.

The only exception to this rule is to use Wolf Steel's approved 3" flex liner and co-linear termination.



* Measured from appliance flue collar to termination flue collar

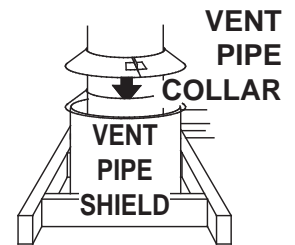
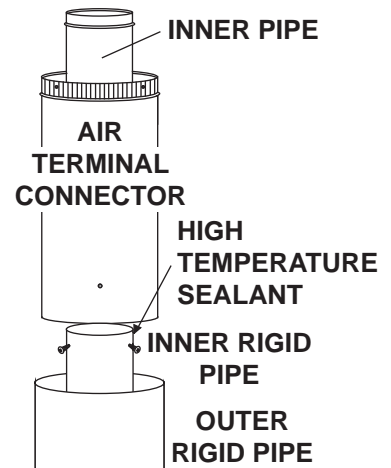
5.6.1 VERTICAL AIR TERMINAL INSTALLATION

NOTE: Before attaching elbows to the collars on the back of the appliance, 1 1/2" will need to be trimmed off the 4" collar.

REAR VENT APPLICATION: Attach 4" and 7" elbows to the appliance. Secure with 3 screws and seal the joints and screw heads using high temperature sealant. Proceed to step A below.

TOP VENT APPLICATION:

- A. Move the appliance into position.
- B. Fasten the roof support to the roof using the screws provided. The roof support is optional. In this case the venting is to be adequately supported using either an alternate method suitable to the authority having jurisdiction or the optional roof support.
- C. Apply high temperature sealant W573-0007 (not supplied) to the outer edge of the inner sleeve of the air terminal. Slip the inner coupler a minimum of 2" over the sleeve and secure using 3 screws.
- D. Apply high temperature sealant W573-0002 (not supplied) to the outer edge of the of the outside sleeve of the air terminal connector. Slip the outer coupler over the sleeve and secure as before. Trim the outer coupler even with the inner coupler end.
- E. Thread the air terminal connector / vent pipe assembly down through the roof support and attach, ensuring that a minimum 16" of air terminal connector will penetrate the roof when fastened. If the attic space is tight, we recommend threading the Wolf Steel vent pipe collar or equivalent loosely onto the air terminal connector / vent pipe assembly as it is passed through the attic. The air terminal connector must be positioned vertically and plumb.
- F. Remove nails from the shingles, above and to the sides of the air terminal connector. Place the flashing over the air terminal connector and slide it underneath the sides and upper edge of the shingles. Ensure that the air terminal connector is properly centered within the flashing, giving a 3/4" margin all around. Fasten to the roof. **Do NOT nail through the lower portion of the flashing.** Make weather-tight by sealing with caulking. Where possible, cover the sides and top edges of the flashing with roofing material.
- G. Apply a heavy bead of waterproof caulking 2" above the flashing. Install the storm collar around the air terminal and slide down to the caulking. Tighten to ensure that a weather-tight seal between the air terminal connector and the collar is achieved.
- H. Continue adding rigid venting sections, sealing and securing as above. Attach the inner collapsed telescopic sleeve to the last section of rigid piping. Secure with screws and seal. Repeat using the outer telescopic sleeve.

**REAR VENT APPLICATION:**

- I. Run a bead of high temperature sealant W573-0007 (not supplied) around the outside of the inner elbow. Pull the telescopic sleeve a minimum of 2" onto the elbow. Secure with 3 screws. Repeat with the outer telescopic sleeve.

TOP VENT APPLICATION:

- J. Run a bead of high temperature sealant W573-0007 (not supplied) around the outside of the inner collar on the appliance. Pull the telescopic sleeve a minimum of 2" onto the collar. Secure with 3 screws. Repeat with the outer telescopic sleeve.
- K. In the attic, slide the vent pipe collar down to cover up the open end of the shield and tighten. This will prevent any materials, such as insulation, from filling up the 1" air space around the pipe

5.7 MOBILE HOME INSTALLATION

This appliance is certified to be installed as an OEM (Original Equipment Manufacturer) installation in a manufactured home or mobile home and must be installed in accordance with the manufacturer's instructions and the Manufactured Home Construction and Safety Standard, Title 24 CFR, Part 3280, in the United States or the Mobile Home Standard, CAN/CSA Z240 MH Series, in Canada. This appliance is only for use with the type(s) of gas indicated on the rating plate. A conversion kit is supplied with the mobile home appliance.

This Mobile/Manufactured Home Listed appliance comes factory equipped with a means to secure the unit. Built in appliances are equipped with 1/4" diameter holes located in the front left and right corners of the base. Use #10 hex head screws, inserted through the holes in the base to secure. For free standing products contact your local authorized dealer / distributor for the appropriate securing kit. For mobile home installations, the appliance must be fastened in place. It is recommended that the appliance be secured in all installations. Always turn off the pilot and the fuel supply at the source, prior to moving the mobile home. After moving the mobile home and prior to lighting the appliance, ensure that the logs are positioned correctly.

This appliance is certified to be installed in an aftermarket permanently located, manufactured (mobile) home, where not prohibited by local codes.
This appliance is only for use with the type of gas indicated on the rating plate. This appliance is not convertible for use with other gases, unless a certified kit is used.

Conversion Kits

This appliance is field convertible between Natural Gas (NG) and Propane (LP).
To convert from one gas to another consult your Authorized dealer/distributor.

29.1

5.8 GAS INSTALLATION

! WARNING
RISK OF FIRE, EXPLOSION OR ASPHYXIATION. ENSURE THERE ARE NO IGNITION SOURCES SUCH AS SPARKS OR OPEN FLAMES.
SUPPORT GAS CONTROL WHEN ATTACHING GAS SUPPLY PIPE TO PREVENT DAMAGING GAS LINE.
ALWAYS LIGHT THE PILOT WHETHER FOR THE FIRST TIME OR IF THE GAS SUPPLY HAS RUN OUT WITH THE GLASS DOOR OPENED OR REMOVED. PURGING OF THE GAS SUPPLY LINE SHOULD BE PERFORMED BY A QUALIFIED SERVICE TECHNICIAN. ASSURE THAT A CONTINUOUS GAS FLOW IS AT THE BURNER BEFORE CLOSING THE DOOR. ENSURE ADEQUATE VENTILATION. FOR GAS AND ELECTRICAL LOCATIONS, SEE "DIMENSION" SECTION.
ALL GAS CONNECTIONS MUST BE CONTAINED WITHIN THE APPLIANCE WHEN COMPLETE.
HIGH PRESSURE WILL DAMAGE VALVE. DISCONNECT GAS SUPPLY PIPING BEFORE TESTING GAS LINE AT TEST PRESSURES ABOVE 1/2 PSIG.
VALVE SETTINGS HAVE BEEN FACTORY SET, DO NOT CHANGE.

Installation and servicing to be done by a qualified installer.

- A. Move the appliance into position and secure.
- B. If equipped with a flex connector the appliance is designed to accept a 1/2" gas supply. Without the connector it is designed to accept a 3/8" gas supply. The appliance is equipped with a manual shut off valve to turn off the gas supply to the appliance.
- C. Connect the gas supply in accordance to local codes. In the absence of local codes, install to the current CAN/CSA-B149.1 Installation Code in Canada or to the current National Fuel Gas Code, ANSI Z223.1 / NFPA 54 in the United States.
- D. When flexing any gas line, support the gas valve so that the lines are not bent or kinked.
- E. The gas line flex-connector should be installed to provide sufficient movement for shifting the burner assembly on it's side to aid with servicing components.
- F. Check for gas leaks by brushing on a soap and water solution. **Do not use open flame.**

30.1A

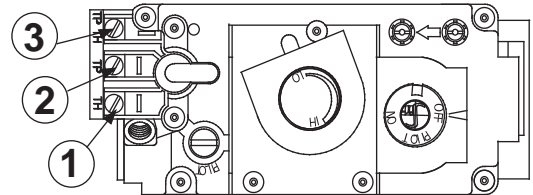
5.9 OPTIONAL WALL SWITCH EXCLUDING BGD36CFG & GD36M

! WARNING

DO NOT CONNECT EITHER THE WALL SWITCH, THERMOSTAT OR GAS VALVE DIRECTLY TO 110 VOLT ELECTRICITY.

For ease of accessibility, an optional remote wall switch or millivolt thermostat may be installed in a convenient location. Route a 2 strand, solid core millivolt wire from the valve to the wall switch or millivolt thermostat. The recommended maximum lead length depends on wire size:


WIRE SIZE	MAX. LENGTH
14 gauge	100 feet
16 gauge	60 feet
18 gauge	40 feet



Disconnect the existing wires from terminals 1 and 3 (from the ON/OFF switch) and replace with the leads from the wall switch / millivolt thermostat.

50.1

6.0 FRAMING

 WARNING
RISK OF FIRE!
IN ORDER TO AVOID THE POSSIBILITY OF EXPOSED INSULATION OR VAPOUR BARRIER COMING IN CONTACT WITH THE APPLIANCE BODY, IT IS RECOMMENDED THAT THE WALLS OF THE APPLIANCE ENCLOSURE BE “FINISHED” (IE: DRYWALL / SHEETROCK), AS YOU WOULD FINISH ANY OTHER OUTSIDE WALL OF A HOME. THIS WILL ENSURE THAT CLEARANCE TO COMBUSTIBLES IS MAINTAINED WITHIN THE CAVITY.
DO NOT NOTCH THE FRAMING AROUND THE APPLIANCE STAND-OFFS. FAILURE TO MAINTAIN AIR SPACE CLEARANCE MAY CAUSE OVER HEATING AND FIRE. PREVENT CONTACT WITH SAGGING OR LOOSE INSULATION OR FRAMING AND OTHER COMBUSTIBLE MATERIALS. BLOCK OPENING INTO THE CHASE TO PREVENT ENTRY OF BLOWN-IN INSULATION. MAKE SURE INSULATION AND OTHER MATERIALS ARE SECURED.
WHEN CONSTRUCTING THE ENCLOSURE ALLOW FOR FINISHING MATERIAL THICKNESS TO MAINTAIN CLEARANCES. FRAMING OR FINISHING MATERIAL CLOSER THAN THE MINIMUMS LISTED MUST BE CONSTRUCTED ENTIRELY OF NON-COMBUSTIBLE MATERIALS. MATERIALS CONSISTING ENTIRELY OF STEEL, IRON, BRICK, TILE, CONCRETE, SLATE, GLASS OR PLASTERS, OR ANY COMBINATION THEREOF ARE SUITABLE. MATERIALS THAT ARE REPORTED AS PASSING ASTM E 136, STANDARD TEST METHOD FOR BEHAVIOUR OF MATERIALS IN A VERTICAL TUBE FURNACE AT 750°C AND UL763 SHALL BE CONSIDERED NON-COMBUSTIBLE MATERIALS.
MINIMUM CLEARANCE TO COMBUSTIBLES MUST BE MAINTAINED OR A SERIOUS FIRE HAZARD COULD RESULT.
THE APPLIANCE REQUIRES A MINIMUM ENCLOSURE HEIGHT. MEASURE FROM THE APPLIANCE BASE.
IF STEEL STUD FRAMING KITS WITH CEMENT BOARD ARE PROVIDED, THEY MUST BE INSTALLED.

71.1

It is best to frame your appliance after it is positioned and the vent system is installed. Frame to local building codes.

It is not necessary to install a hearth extension with this appliance system.

When roughing in the appliance, raise the appliance to accommodate for the thickness of the finished floor materials, i.e. tile, carpeting, hard wood, which if not planned for will interfere with the opening of the lower access door and the installation of many decorative flashing accessories.

Combustible materials may be installed flush with the front of the appliance but must not cover any of the black face-areas of the appliance. Non-combustible material (brick, stone or ceramic tile) may protrude in these areas.

Minimum clearance to combustible construction from appliance and vent surfaces:**Non-combustible Framing:**

Top - 0" to stand-offs if using optional clean face surround.

Combustible Framing:

Sides, back and bottom of appliance - 0" to rear.

Top - 3 1/2" to stand-offs if using optional clean face surround.

Combustible Finishing:

Sides, bottom and top - 0" to appliance edge.

Enclosure top - 13 1/2" to top of appliance.

Recessed depth - 25"

Top, sides and bottom of vent pipe* - 2"

Ceiling - 54" from bottom of appliance.

* **HORIZONTAL VENT SECTIONS** - A minimum clearance of 1" at the bottom and sides and 2" at the top of the vent pipe on all horizontal runs to combustibles is required. Use firestop spacer W010-1777 (supplied).

* **VERTICAL VENT SECTIONS** - A minimum of 1" all around the vent pipe on all vertical runs to combustibles is required except for clearances in appliance enclosures. See "MINIMUM ENCLOSURE CLEARANCES" section. Use firestop spacer W500-0096 (not supplied).

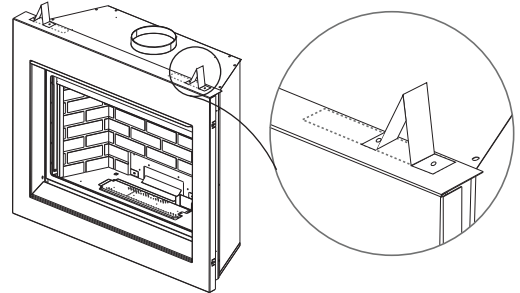
6.1 INSTALLING STAND-OFFS

These appliances are supplied with two standoffs. For convenience, the standoffs have been shipped flat and located on the top at the front. Before framing ensure the standoffs are bent up and screwed into place ensuring a height of 4.5".

NOTE: The information and dimensions in this section represent the minimum clearances to combustible material.

It is best to frame your appliance after it is positioned and the vent system is installed. Use 2x4's and frame to local building codes.

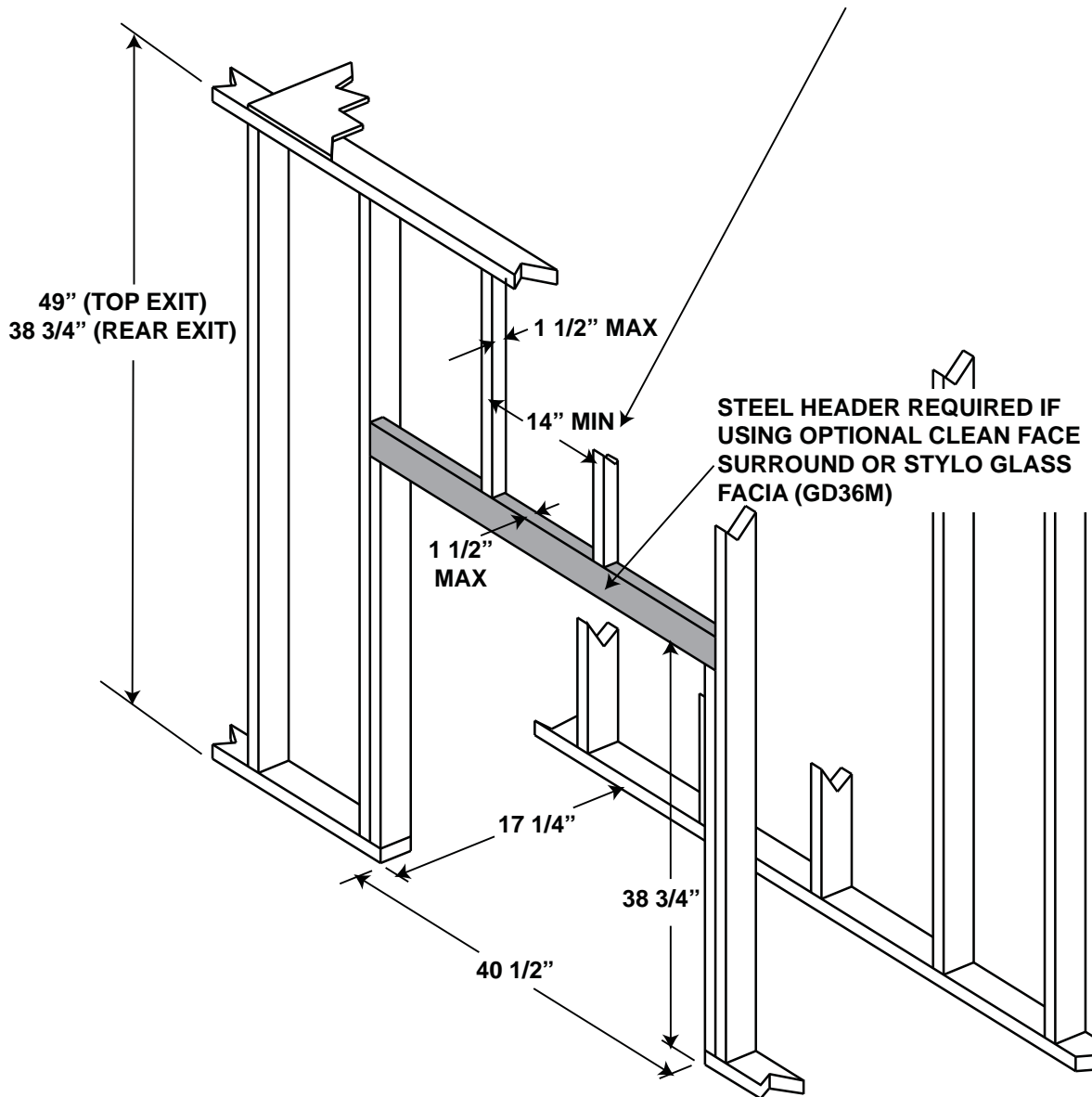
A steel header is required if using optional clean face surround.

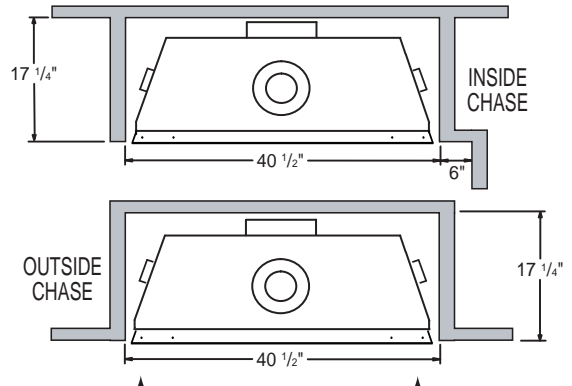
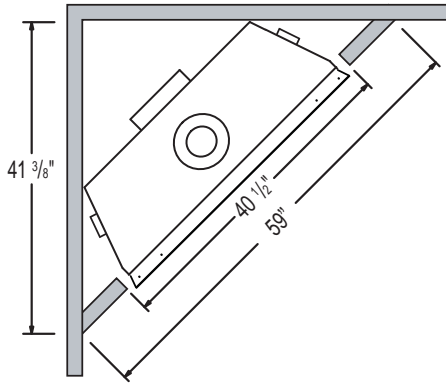


6.2 MINIMUM FRAMING DIMENSIONS

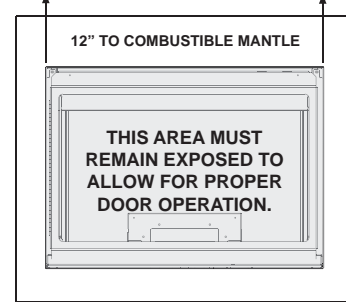
! WARNING

FOR TOP EXIT APPLICATIONS: DO NOT BUILD INTO THIS AREA. IT MUST BE LEFT CLEAR TO PROVIDE ADEQUATE CLEARANCE FOR THE VENT. IN THIS 14" WIDE AREA CENTRED ALONG THE FRONT OF THE APPLIANCE, NO COMBUSTIBLES ARE ALLOWED.

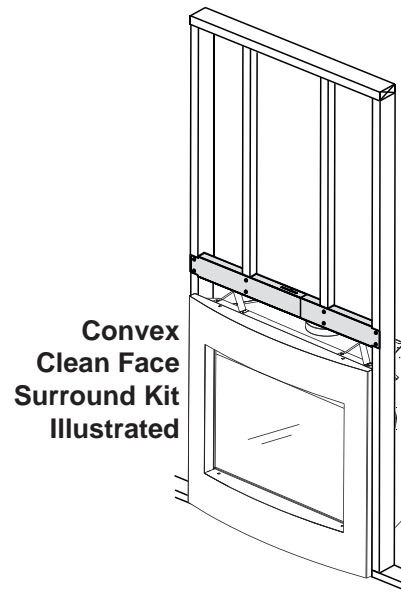
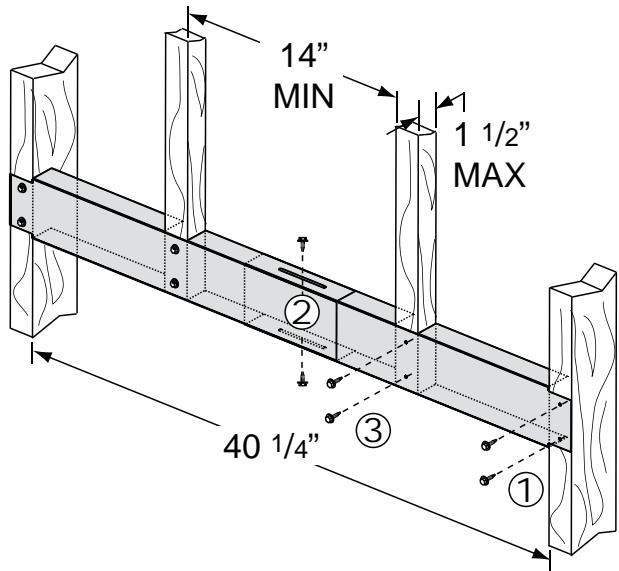




IMPORTANT:
Encroaching in this area with finishing material will interfere with the opening of the door.

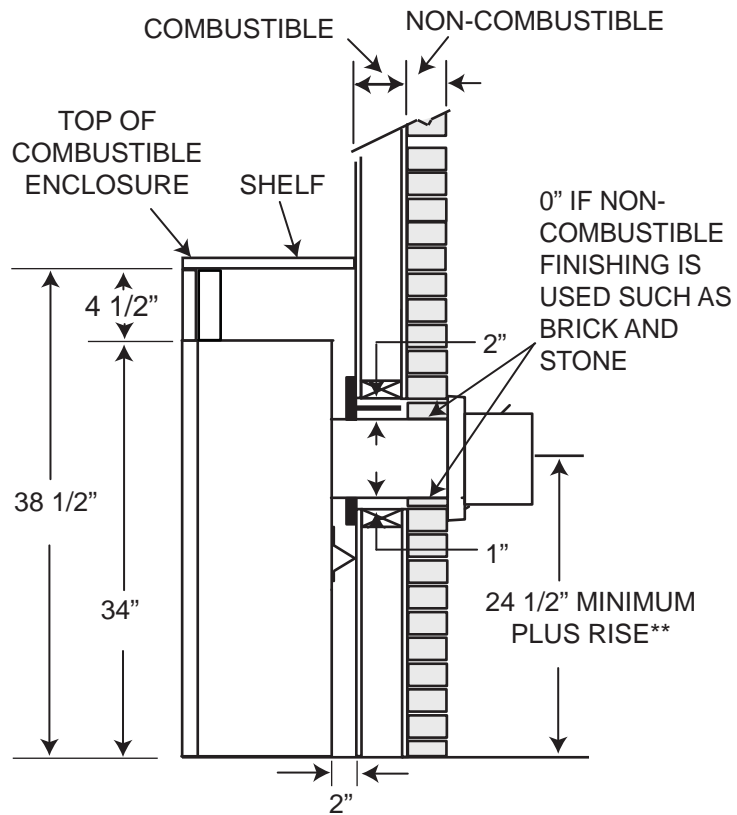


6.2.1 STEEL HEADER INSTALLATION FOR CLEAN FACE SURROUND AND STYLO GLASS FACIA



6.3 MINIMUM ENCLOSURE CLEARANCES

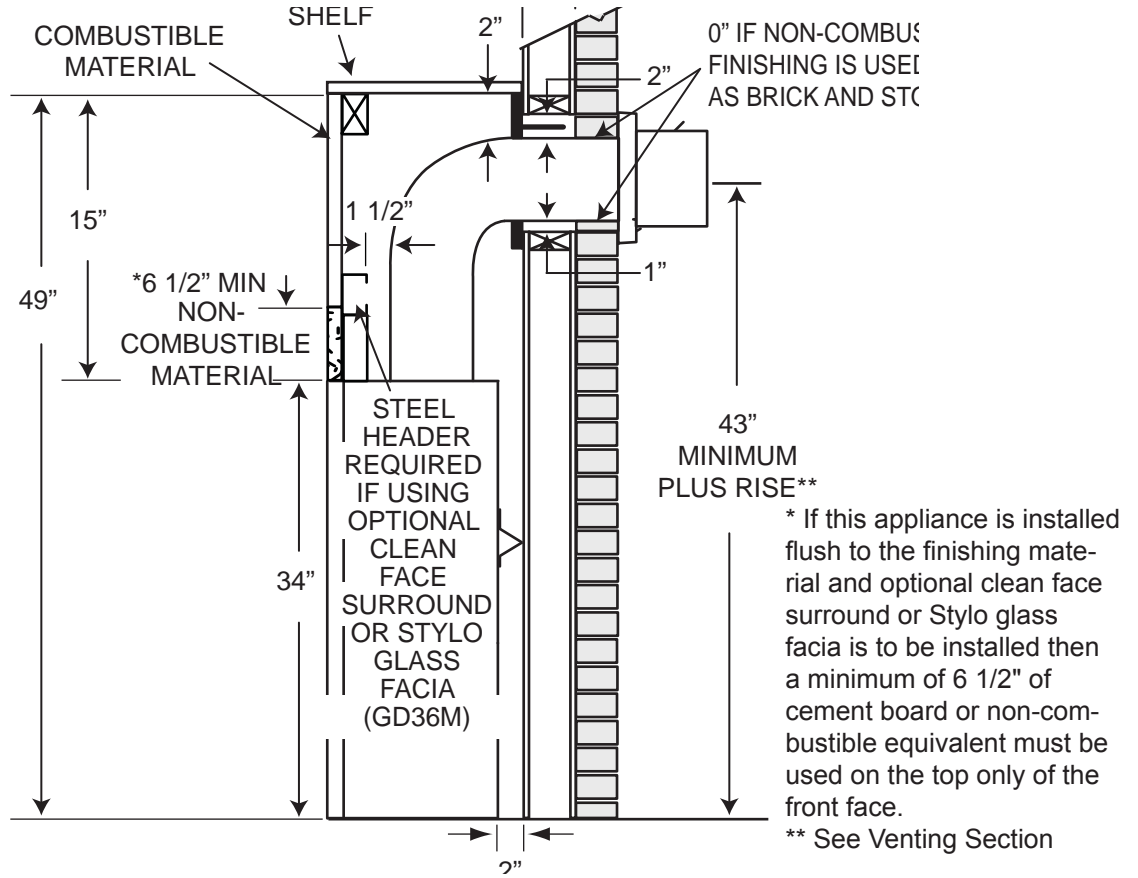
6.3.1 REAR VENT ENCLOSURE



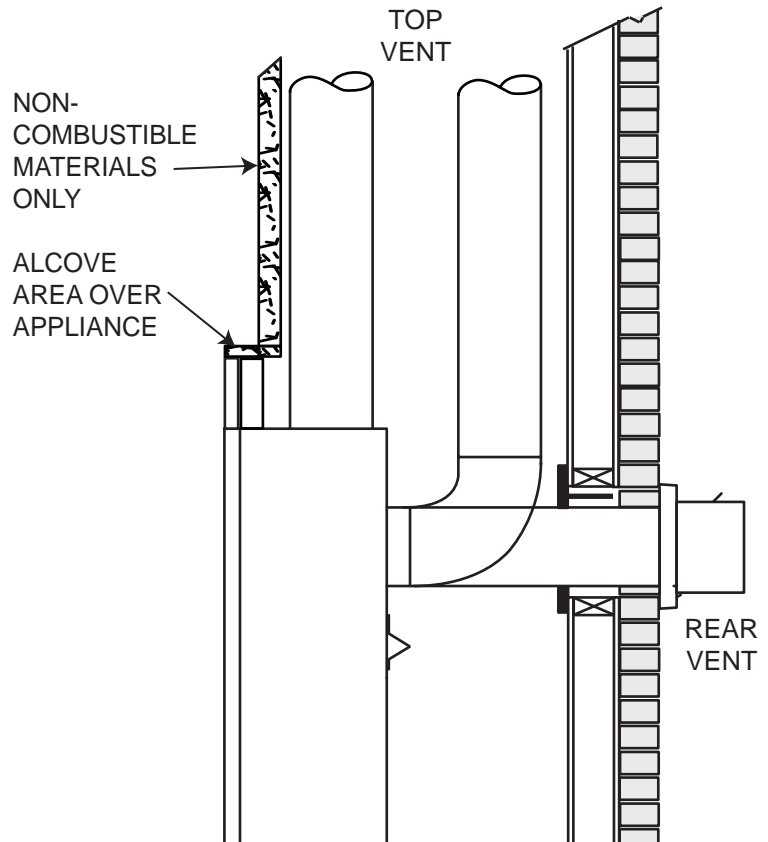
The appliance requires a minimum enclosure height of $38\frac{1}{2}"$ (REAR VENT) $49"$ (TOP VENT). For temperature requirements, the enclosure space around and above the appliance must be left unobstructed.

** See "VENTING" section.

6.3.2 TOP VENT ENCLOSURE

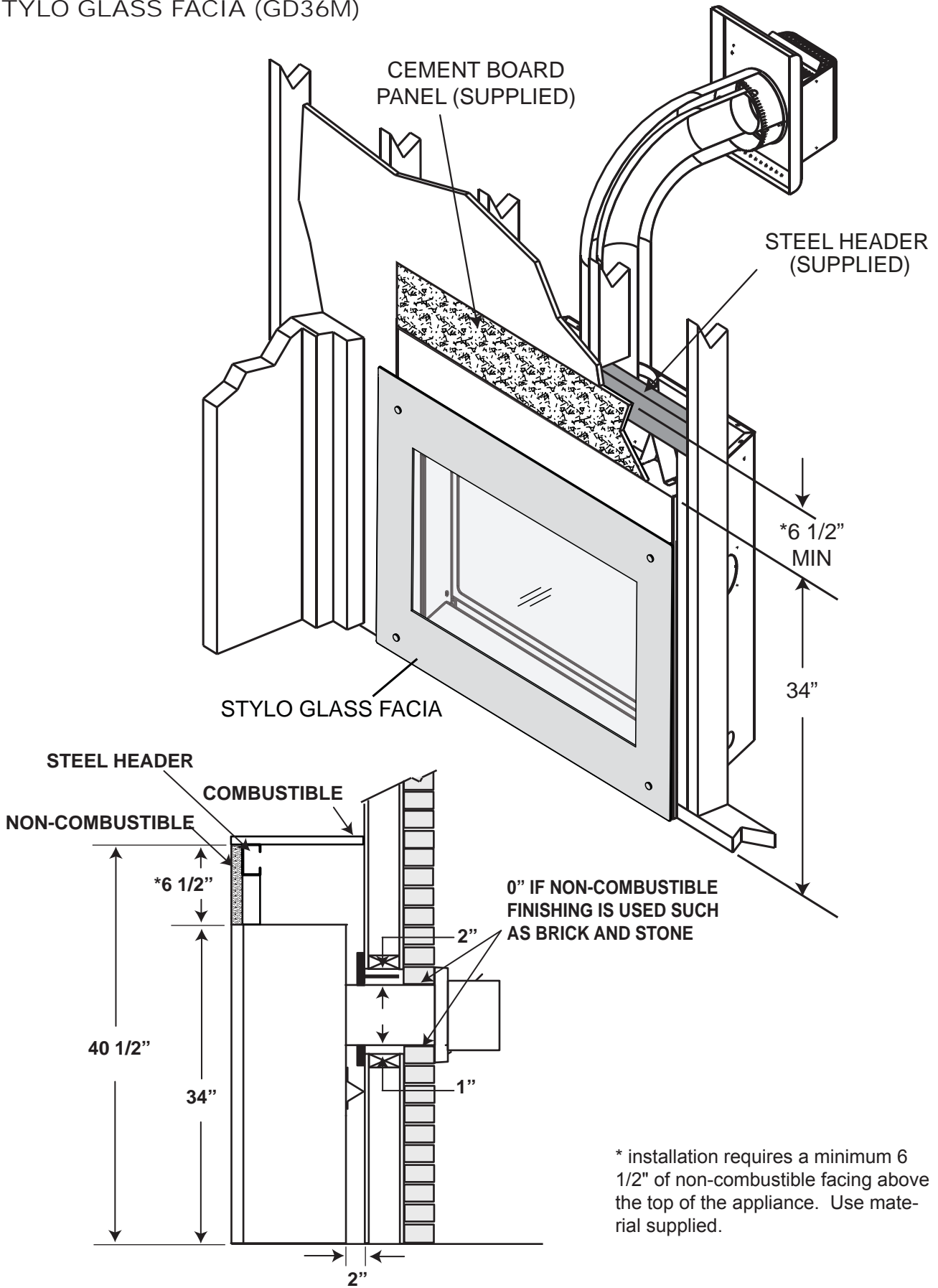


6.3.3 ALCOVE ENCLOSURE

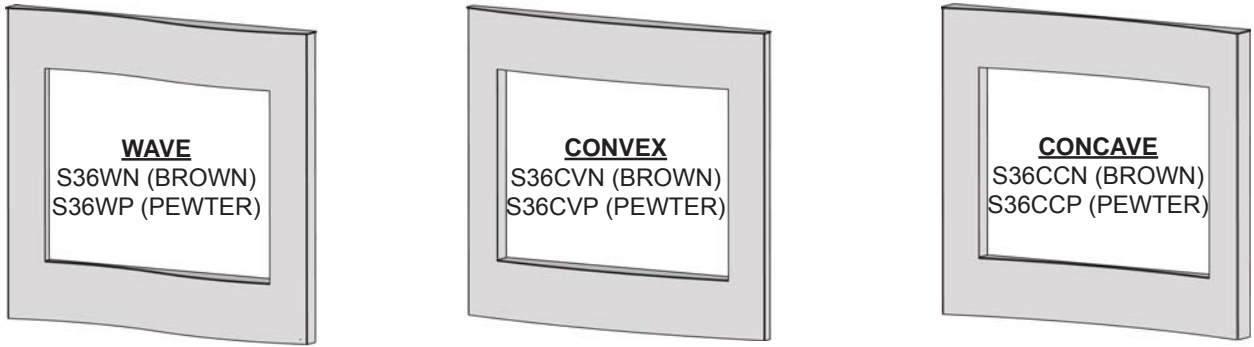


Alcoves above the appliance can be made as deep as desired as long as the clearances to combustibles are maintained as in 6.3.1 and 6.3.2. If clearances to vent components are reduced, materials must be non-combustible.

6.3.4 ENCLOSURE INSTALLATION WITH CLEAN FACE SURROUND OR STYLO GLASS FACIA (GD36M)



6.4 CLEAN FACE SURROUND FRAMING AND FINISHING EXCLUDING GD36M

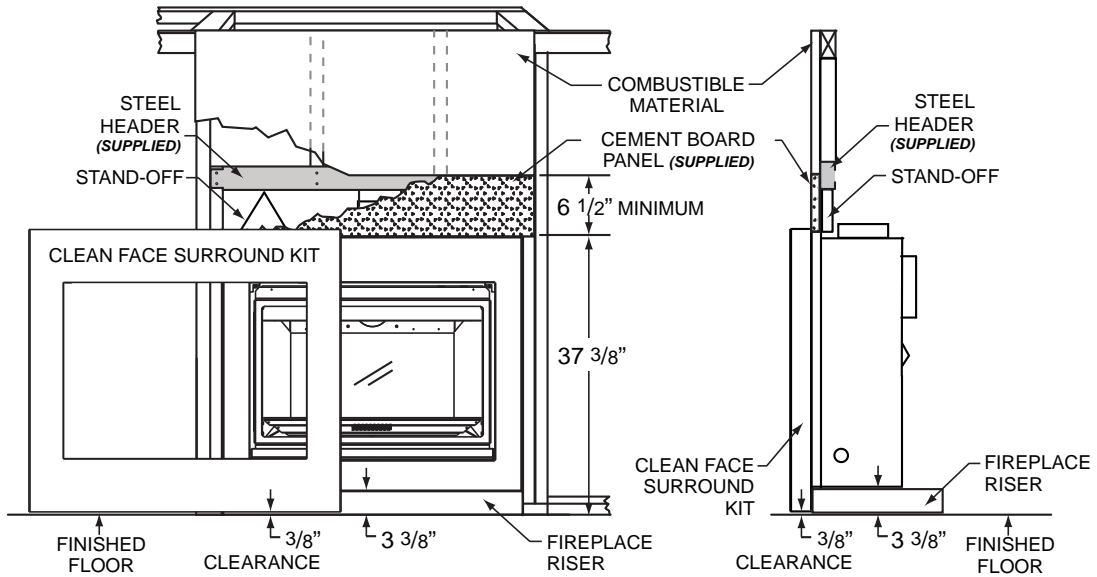


Installation requires a minimum of 6 1/2" non-combustible facing material at the top of the appliance. Refer to illustrations above (depending on your installation) to ensure your appliance has been installed with the proper requirements for this kit.

Whether installing to a finished floor or a hearth, a 3/8" clearance must be maintained at the bottom of the clean face surround kit. To obtain this clearance an appliance riser is required.

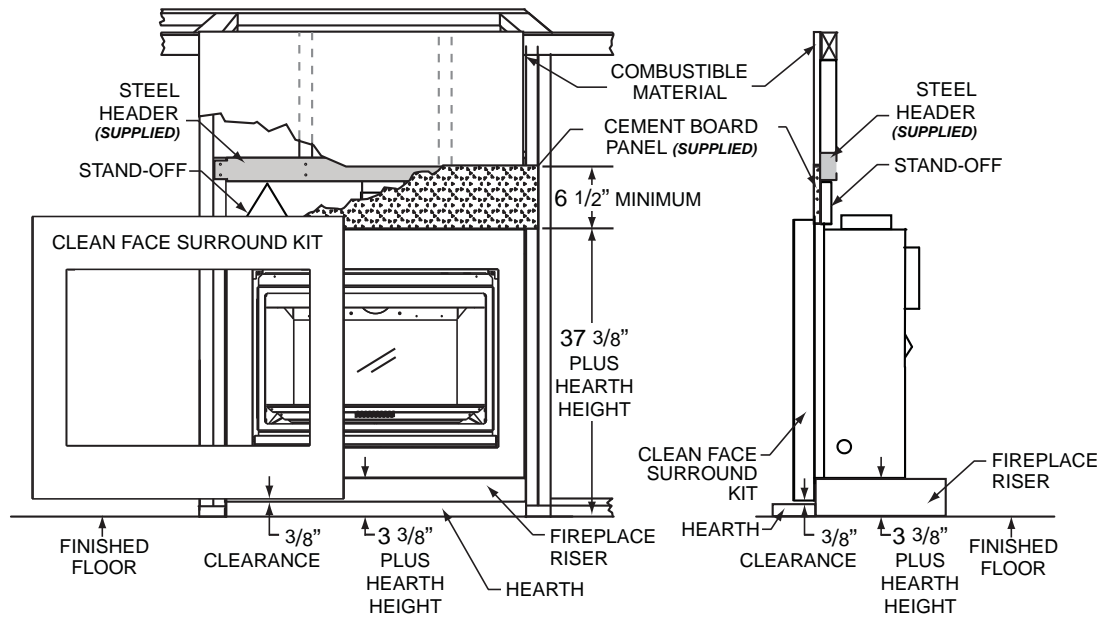
6.4.1 FINISHED FLOOR INSTALLATION

When installing to a finished floor the appliance riser must create a minimum clearance of 3 3/8" from the finished floor to the bottom of the appliance.

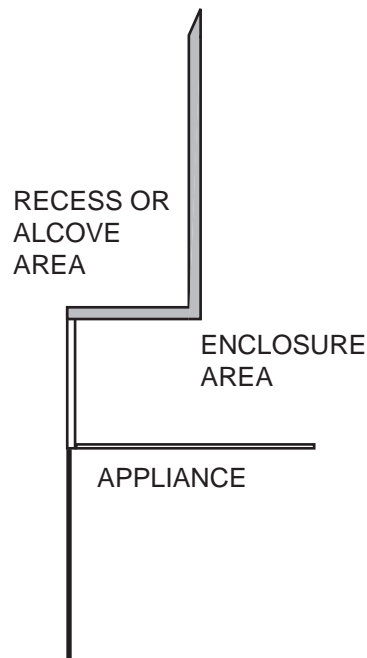


6.4.2 HEARTH INSTALLATION

When installing to a hearth the appliance riser must create a minimum clearance of 3 3/8" PLUS the height of the hearth from the finished floor to the bottom of the appliance.



6.6 ALCOVE FRAMING



NOTE: Recesses or alcoves above the appliance can be made as deep as desired provided the minimum clearances to combustibles are maintained.

Non-combustible material can be used, provided the minimum clearances to combustible materials are applied.

The minimum enclosure volume must be increased by no less than the volume of the recess. This adjustment can be made by increasing any or all of the height, width and depth of the enclosure.

71.2

6.5 MINIMUM MANTEL CLEARANCES

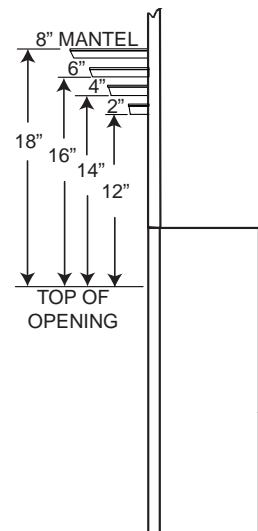
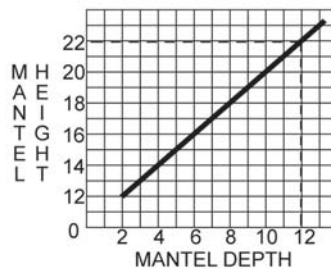
! WARNING

RISK OF FIRE, MAINTAIN ALL SPECIFIED AIR SPACE CLEARANCES TO COMBUSTIBLES. FAILURE TO COMPLY WITH THESE INSTRUCTIONS MAY CAUSE A FIRE OR CAUSE THE APPLIANCE TO OVERHEAT. ENSURE ALL CLEARANCES (I.E. BACK, SIDE, TOP, VENT, MANTEL, FRONT, ETC.) ARE CLEARLY MAINTAINED.

WHEN USING PAINT OR LACQUER TO FINISH THE MANTEL, THE PAINT OR LACQUER MUST BE HEAT RESISTANT TO PREVENT DISCOLOURATION.

73.1

Combustible mantel clearance can vary according to the mantel depth. Use the graph to help evaluate the clearance needed.



7.0 FINISHING

7.1 DOOR INSTALLATION & REMOVAL

! WARNING

GLASS MAY BE HOT, DO NOT TOUCH GLASS UNTIL COOLED.

THE DOOR LATCHES ARE PART OF A SAFETY SYSTEM AND MUST BE PROPERLY ENGAGED. DO NOT OPERATE THE APPLIANCE WITH LATCHES DISENGAGED.

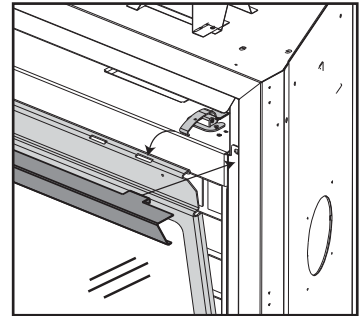
FACING AND/OR FINISHING MATERIALS MUST NOT INTERFERE WITH AIR FLOW THROUGH AIR OPENINGS, LOUVRES OPENINGS, OPERATION OF LOUVRES OR DOORS OR ACCESS FOR SERVICE. OBSERVE ALL CLEARANCES WHEN APPLYING COMBUSTIBLE MATERIALS.

BEFORE DOOR IS REMOVED TURN THE APPLIANCE OFF AND WAIT UNTIL APPLIANCE IS COOL TO THE TOUCH. DOORS ARE HEAVY AND FRAGILE SO HANDLE WITH CARE.

75.1

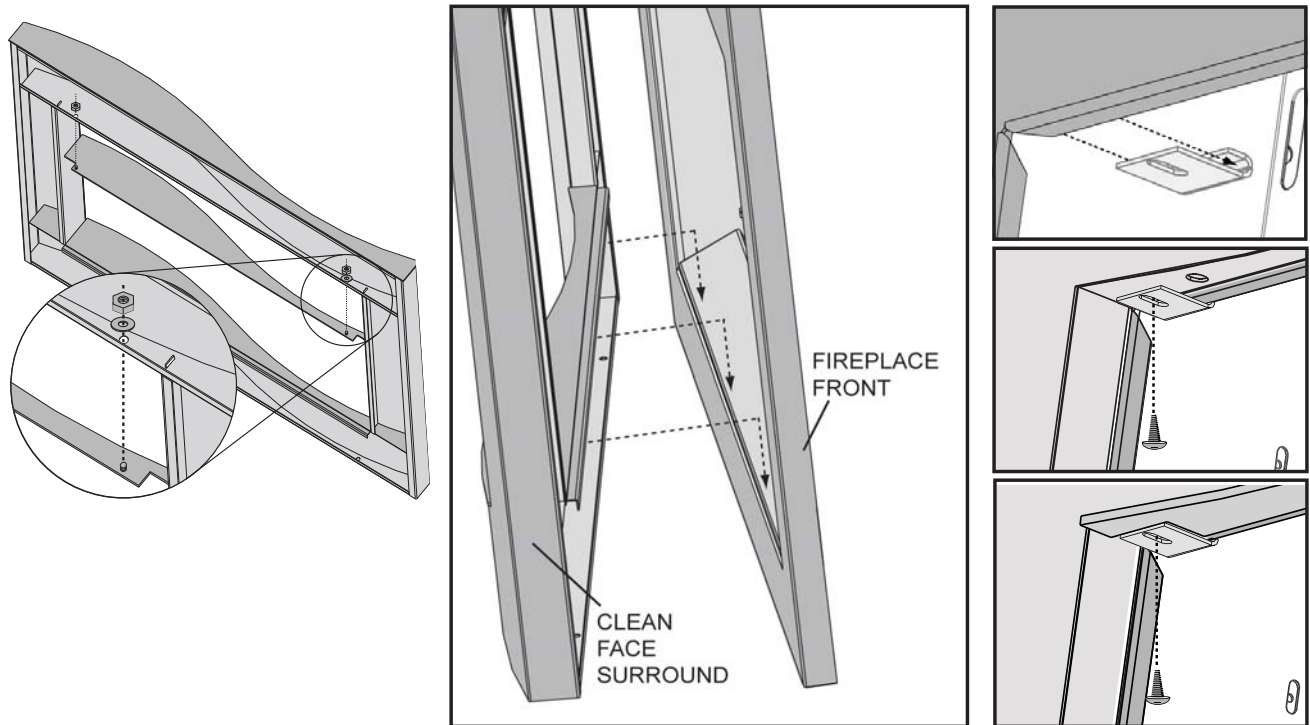
To access the door latches, remove the valve control door and upper trim. To open the door, release the top and bottom door latches, located at the right side of the door.

NOTE: The protective wrap on plated parts is best removed when the assembly is at room temperature but this can be improved if the assembly is warmed, using a hair dryer or similar heat source.



7.2 CLEAN FACE TRIM KIT INSTALLATION EXCLUDING GD36M

The “wave” clean face surround kit is shown in all illustrations.



- A.** From the rear side of the clean face front, insert the weld studs on the top window plate assembly upward through the holes on the underside of the top section of the clean face front.
- B.** Using a socket wrench, secure using the nuts and washers provided. Depending on your surround, space may be tight.
- C.** First secure the clean face surround to the appliance front by hooking the ledge that runs horizontally on the rear surface of the clean face surround over the bottom edge of the appliance front opening.
- D.** With the clean face surround against the appliance front, hook the surround clips in behind the top lip of the appliance front opening and secure using the screws provided through the slot in the surround clip and into the pre-drilled hole in the clean face surround. If the optional clean face trim kit was installed, the surround clip fits into the cut out and is secured in the same fashion.

8.0 BGD36CF FINISHING

8.1 LOG PLACEMENT

! WARNING

FAILURE TO POSITION THE LOGS IN ACCORDANCE WITH THESE DIAGRAMS OR FAILURE TO USE ONLY LOGS SPECIFICALLY APPROVED WITH THIS APPLIANCE MAY RESULT IN PROPERTY DAMAGE OR PERSONAL INJURY.

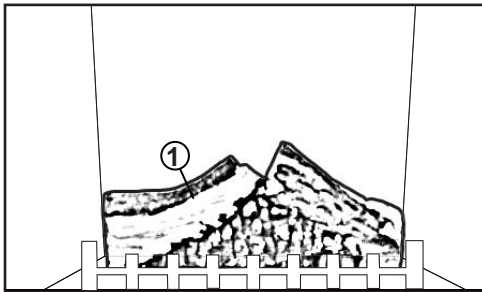
LOGS MUST BE PLACED IN THEIR EXACT LOCATION IN THE APPLIANCE. DO NOT MODIFY THE PROPER LOG POSITIONS, SINCE APPLIANCE MAY NOT FUNCTION PROPERLY AND DELAYED IGNITION MAY OCCUR.

THE LOGS ARE FRAGILE AND SHOULD BE HANDLED WITH CARE.

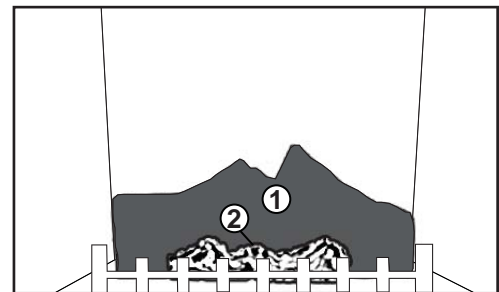
76.1A

PHAZER™ logs and glowing embers exclusive to Napoleon® Appliances, provide a unique and realistic glowing effect that is different in every installation. Take the time to carefully position the glowing embers for a maximum glowing effect.

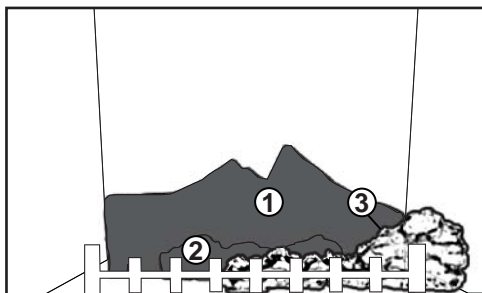
Log colours may vary. During the initial use of the appliance, the colours will become more uniform as colour pigments burn in during the heat activated curing process.



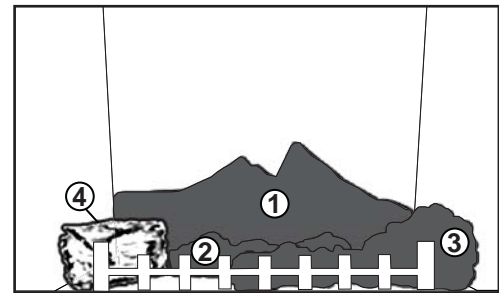
- A.** Place the rear log so that it rests against the two log brackets on the back wall of the firebox. The air space between the log and firebox back is used to facilitate combustion air flow



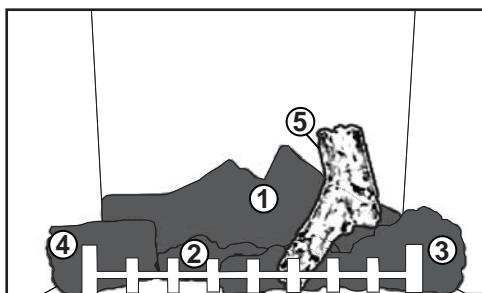
- B.** Move the charcoal strip into position lining up the holes in the bottom with the studs located on the burner on the burner. Ensure strip sits flat on the burner.



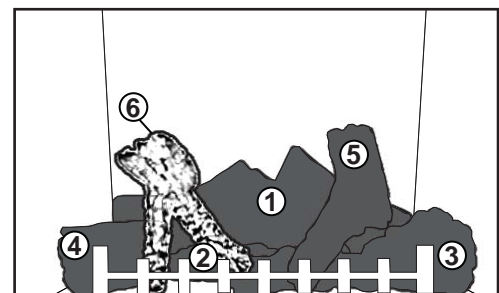
- C.** Position the front right log just behind the grate lining up the holes in the bottom with the studs located on the log support.



- D.** Move the left log into position lining up the hole in the bottom with the stud on the left side of the log support.



- E.** Line up the square hole in the right crossover with the square post located on the right side of log and install as shown.



- F.** Line up the rectangular hole in the left crossover with the rectangular post located on the left side of log and install as shown.

8.2 GLOWING EMBERS

Tear the embers into pieces and place along the front row of ports covering all of the burner area in front of the small logs. Care should be taken to shred the embers into thin, small irregular pieces as only the exposed edges of the fibre hairs will glow. **The ember material will only glow when exposed to direct flame; however, care should be taken to not block the burner ports.**

Blocked burner ports can cause an incorrect flame pattern, carbon deposits and delayed ignition. **PHAZER™** logs glow when exposed to direct flame. Use only certified "glowing embers" and **PHAZER™** logs available from your Napoleon® dealer.

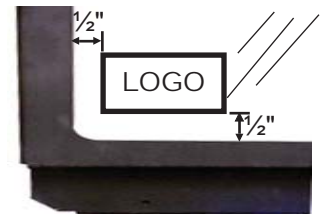
8.3 CHARCOAL EMBERS

Randomly place the charcoal embers along the front and sides of the log support tray in a realistic manner. **Fine dust found in the bottom of the bag should not be used.**

NOTE: Charcoal embers are not to be placed on the burner.

8.4 LOGO PLACEMENT

Remove the backing of the logo supplied and place on the glass viewing door, as indicated.



32.1

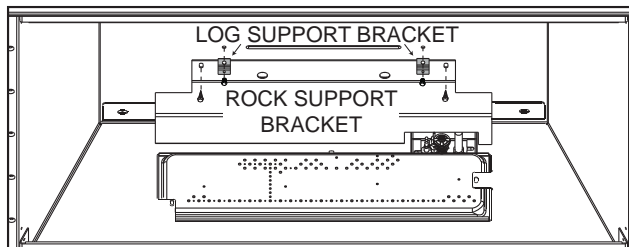
8.5 OPTIONAL ROCK KIT

(RAK-ROCK ADAPTOR KIT IS NECESSARY WITH THIS KIT).

97.1

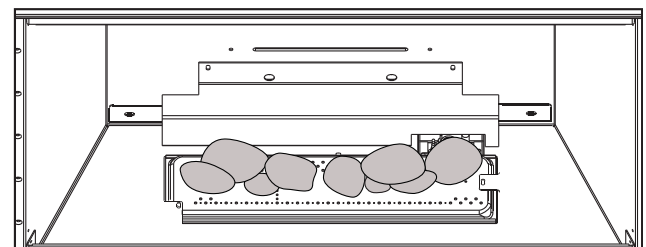
! WARNING

REAL ROCKS MUST NOT BE USED IN THIS APPLIANCE. HEAT WILL CAUSE THEM TO EXPLODE.



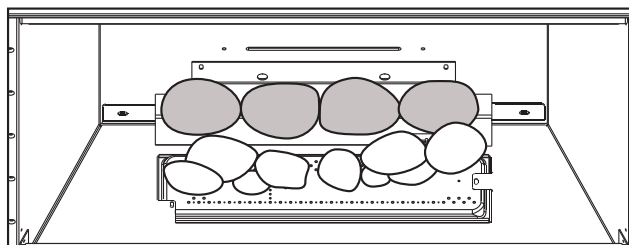
- A. Remove all logs and media.
- B. Remove the 2 screws and log support brackets already installed in the firebox and secure the rock support bracket along the back of the firebox.

NOTE: When the porcelain panels are installed, the rock support bracket is secured over the rear porcelain panel. Tabs on rear porcelain panel must be bent up to sit flush on the rock support bracket.

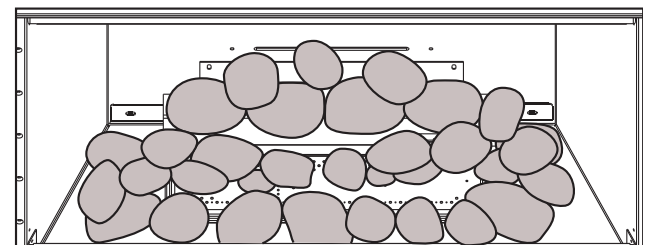


- C. Move the two rock clusters into position, lining up the studs located on the burner with the holes in the bottom of the rocks. Ensure the clusters are sitting flat on the burner.

NOTE: For best results it's recommended you remove the grate and using Wolf Steel approved paint, paint the surfaces underneath where the grate was removed.



- D. Place the large cut out rocks along the edge of the rock support bracket as shown.



- E. Place the remaining refractory rocks around the burner as desired, **making sure not to cover any burner ports.** (There are no set locations).

9.0 BGD36CFG / GD36M FINISHING

9.1 GLASS BURNER INSTALLATION

! WARNING

CLEAN THE GLASS MEDIA PRIOR TO INSTALLATION. BEFORE APPLYING THE CLEANED GLASS, ENSURE THAT IT IS DRY.

DO NOT CHANGE OR SUBSTITUTE THE GLASS MEDIA MATERIAL PROVIDED WITH THIS APPLIANCE. IF REPLACING, USE ONLY THE REPLACEMENT GLASS MEDIA AVAILABLE FROM YOUR AUTHORIZED DEALER / DISTRIBUTOR.

GLASS MEDIA OVER THE BURNER MUST NOT BE MORE THAN ONE LAYER HIGH. MORE THAN ONE LAYER OVER THE BURNER WILL CAUSE FLAME LIFTING AND SOOTING PROBLEMS.

Evenly spread the glass media onto the media tray, covering the burner tube and following the natural shape of the media tray.

In some installations, glass media over the burner tube may cause a “Puffing” sound. If this sound is excessive, simply push the media away from the burner ports.

NOTE: The distribution of glass media over the burner tube will influence the flame height. When the flames impinge on the glass, the glass may discolour slightly and the edges may soften.

CLEANING GLASS MEDIA

Glass media may have a fine oil residue that needs to be cleaned prior to installation. Clean the glass with mild dish soap, drain, rinse thoroughly and dry before placing over the burner.

74.1A

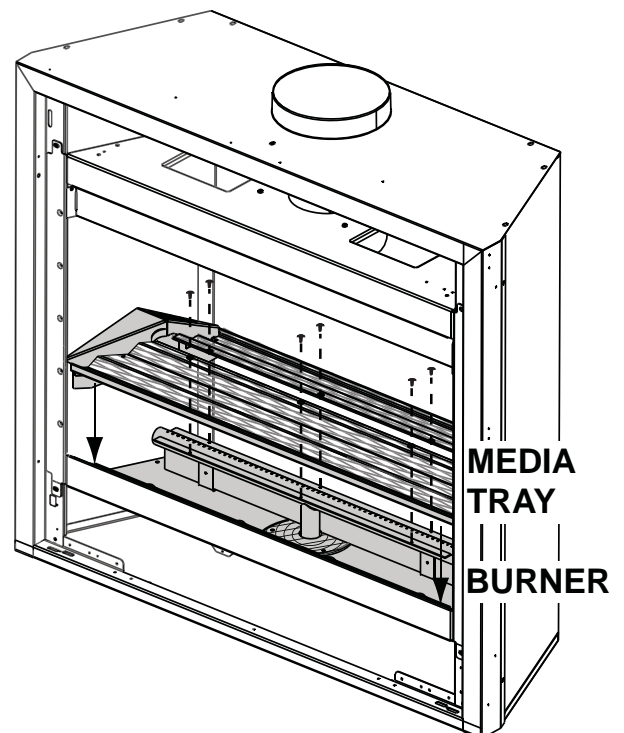
Secure the glass ember tray to the burner using 6 screws (W570-0001).

Spread the clear glass embers (W300-0102) onto the glass ember tray evenly covering the burner tube (follow natural shape of tray).

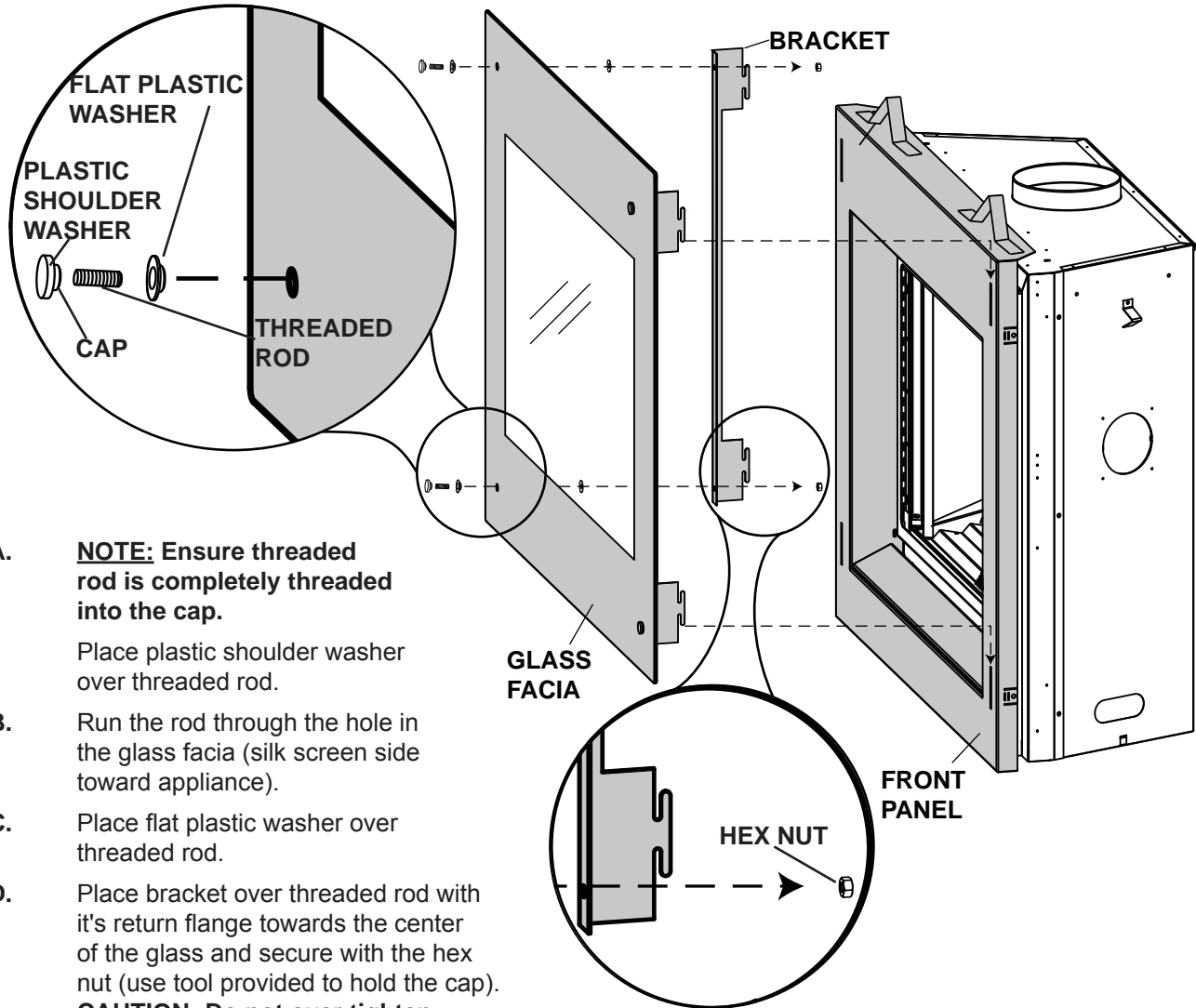
NOTE: The distribution of clear glass embers over the burner tube will influence the flame height.

NOTE: When removing the glass ember tray make sure the glass embers are away from the center of the screen, exposing the burner, remove screws and lift glass ember tray out.

When replacing burner, absolutely no glass embers can be in cup surrounding the orifice. **HINT:** If glass falls into cup and surrounds the orifice, insert a clean bag into a vacuum cleaner and vacuum out glass embers. Replacement glass embers can be ordered from Wolf Steel Ltd.

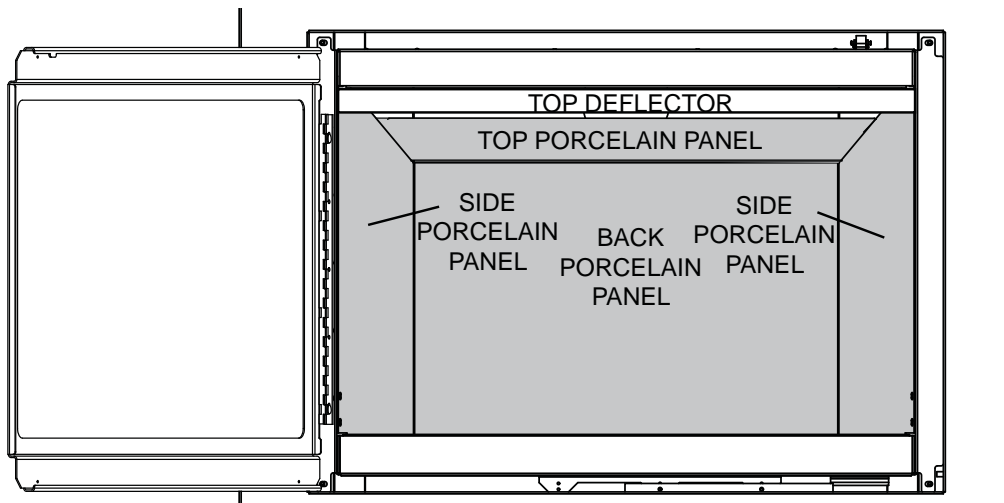


9.2 GD36M GLASS FRONT INSTALLATION / REMOVAL



- A. **NOTE:** Ensure threaded rod is completely threaded into the cap.
Place plastic shoulder washer over threaded rod.
- B. Run the rod through the hole in the glass facia (silk screen side toward appliance).
- C. Place flat plastic washer over threaded rod.
- D. Place bracket over threaded rod with it's return flange towards the center of the glass and secure with the hex nut (use tool provided to hold the cap).
CAUTION: Do not over tighten.
- E. Lift the glass facia and engage tabs into slots on front panel of the appliance.

9.3 TOP PRP PANEL INSTALLATION GD36M



- A. Place the top porcelain panel behind the back and side porcelain panels as illustrated.

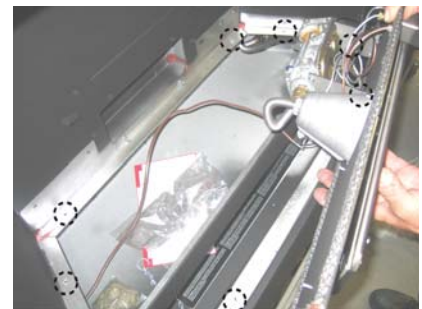
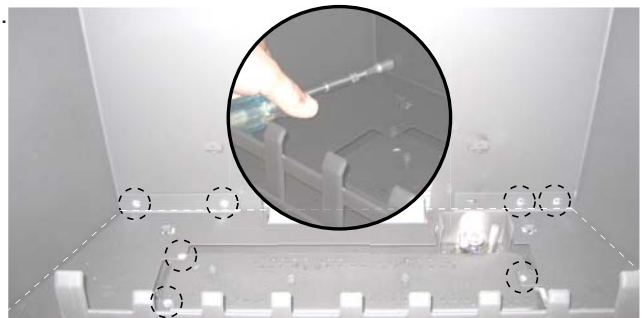
10.0 OPTIONAL BLOWER INSTALLATION

! WARNING
RISK OF FIRE AND ELECTRICAL SHOCK.
TURN OFF THE GAS AND ELECTRICAL POWER BEFORE SERVICING THIS APPLIANCE.
USE ONLY WOLF STEEL APPROVED OPTIONAL ACCESSORIES AND REPLACEMENT PARTS WITH THIS APPLIANCE. USING NON-LISTED ACCESSORIES (BLOWERS, DOORS, LOUVRES, TRIMS, GAS COMPONENTS, VENTING COMPONENTS, ETC.) COULD RESULT IN A SAFETY HAZARD AND WILL VOID THE WARRANTY AND CERTIFICATION.
ENSURE THAT THE FAN'S POWER CORD IS NOT IN CONTACT WITH ANY SURFACE OF THE APPLIANCE TO PREVENT ELECTRICAL SHOCK OR FIRE DAMAGE. DO NOT RUN THE POWER CORD BENEATH THE APPLIANCE.
THE WIRE HARNESS PROVIDED IN THE BLOWER KIT IS A UNIVERSAL HARNESS. WHEN INSTALLED, ENSURE THAT ANY EXCESS WIRE IS CONTAINED, PREVENTING IT FROM MAKING CONTACT WITH MOVING OR HOT OBJECTS.

51.5

10.1 ACCESSING THE BLOWER

- A. Remove the valve access door and top door trim.
- B. Open the main door.
- C. Carefully remove the logs or glass media.
- D. Remove the log support as illustrated (7 screws) or media tray. See the section "GLASS BURNER INSTALLATION"
- E. Remove the top deflector and, if applicable, the porcelain panels from the firebox.
- F. Remove the 8 perimeter screws as illustrated and lift out the burner train assembly. (The gas line flex-connector should provide sufficient movement to permit shifting the burner assembly to the side).
- G. Reverse procedure to re-assemble making certain the burner train gasket is intact and properly located to seal the burner base.



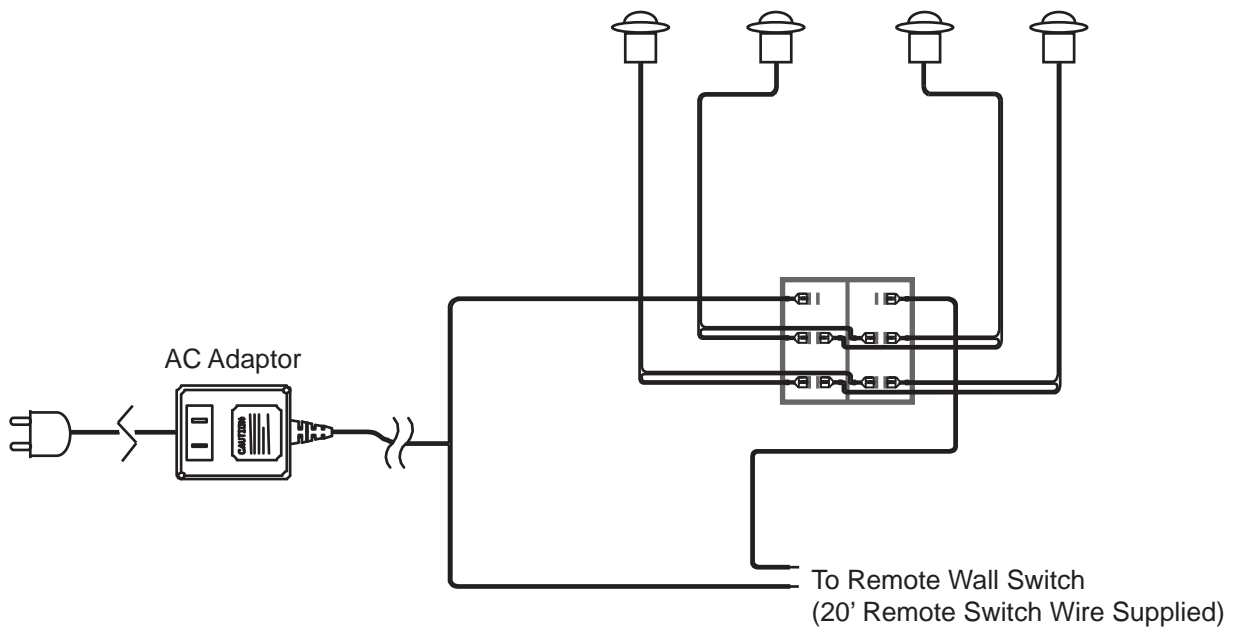
11.0 WIRING DIAGRAM

! WARNING
DO NOT USE THIS APPLIANCE IF ANY PART HAS BEEN UNDER WATER. CALL A QUALIFIED SERVICE TECHNICIAN IMMEDIATELY TO HAVE THE APPLIANCE INSPECTED FOR DAMAGE TO THE ELECTRICAL CIRCUIT.
RISK OF ELECTRICAL SHOCK OR EXPLOSION. DO NOT WIRE 110V TO THE VALVE OR TO THE APPLIANCE WALL SWITCH. INCORRECT WIRING WILL DAMAGE CONTROLS.
ALL WIRING SHOULD BE DONE BY A QUALIFIED ELECTRICIAN AND SHALL BE IN COMPLIANCE WITH LOCAL CODES. IN THE ABSENCE OF LOCAL CODES, USE THE CURRENT CSA22.1 CANADIAN ELECTRIC CODE IN CANADA OR THE CURRENT NATIONAL ELECTRIC CODE ANSI/NFPA NO. 70 IN THE UNITED STATES.
ALWAYS LIGHT THE PILOT WHETHER FOR THE FIRST TIME OR IF THE GAS SUPPLY HAS RAN OUT, WITH THE GLASS DOOR OPENED OR REMOVED.

69.2

11.1 BGD36CFG / GD36M LIGHT SWITCH

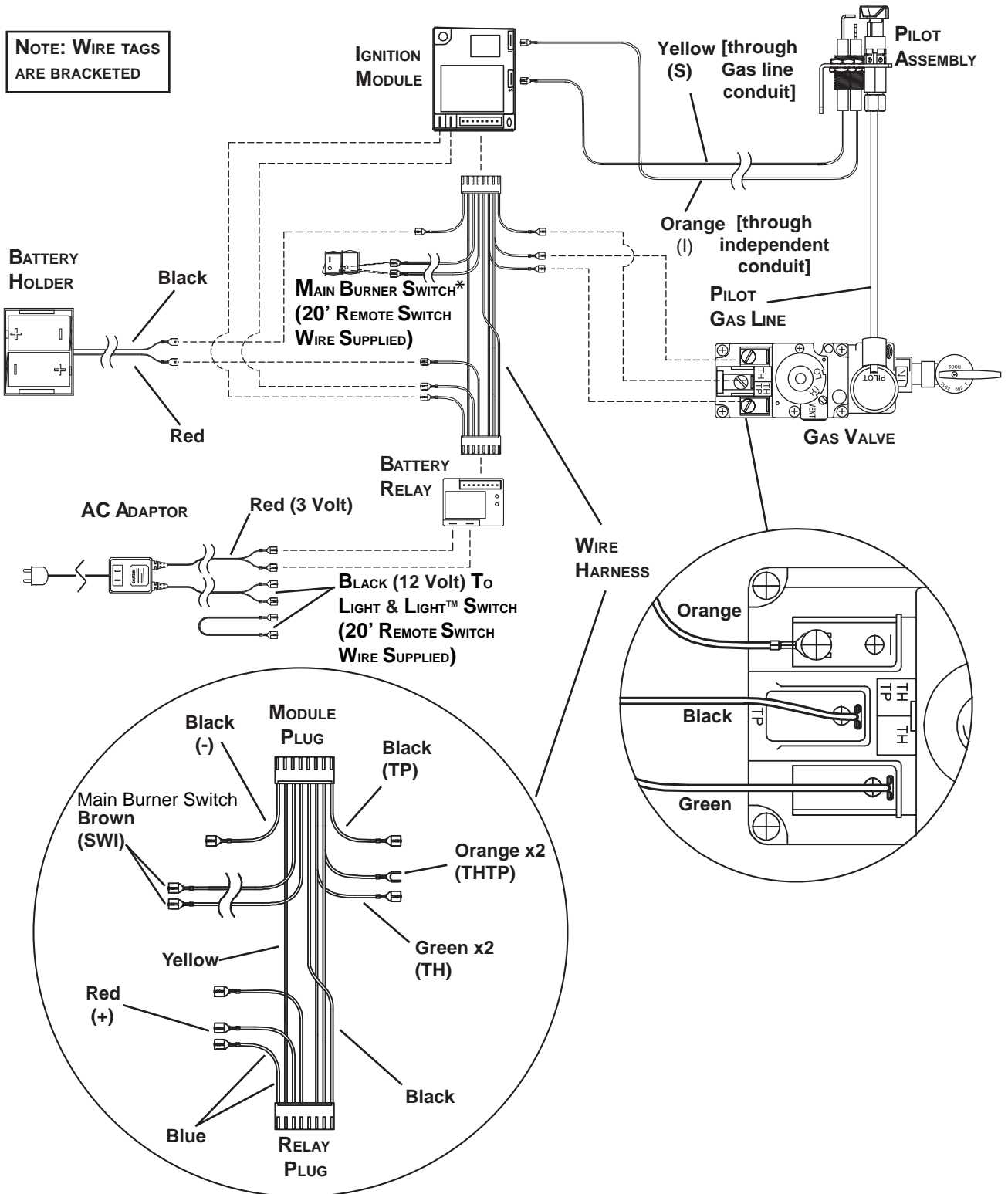
A wall switch must be installed in a convenient location to operate the lights. A 20' length of 18 gauge wire is connected to the terminal block for the light wall switch, however, if a greater length is required, route 2-strand (solid core) wire complete with two 1/4" female quick connects through the electrical hole located at the bottom left side of the appliance and connect to the terminal block as shown.



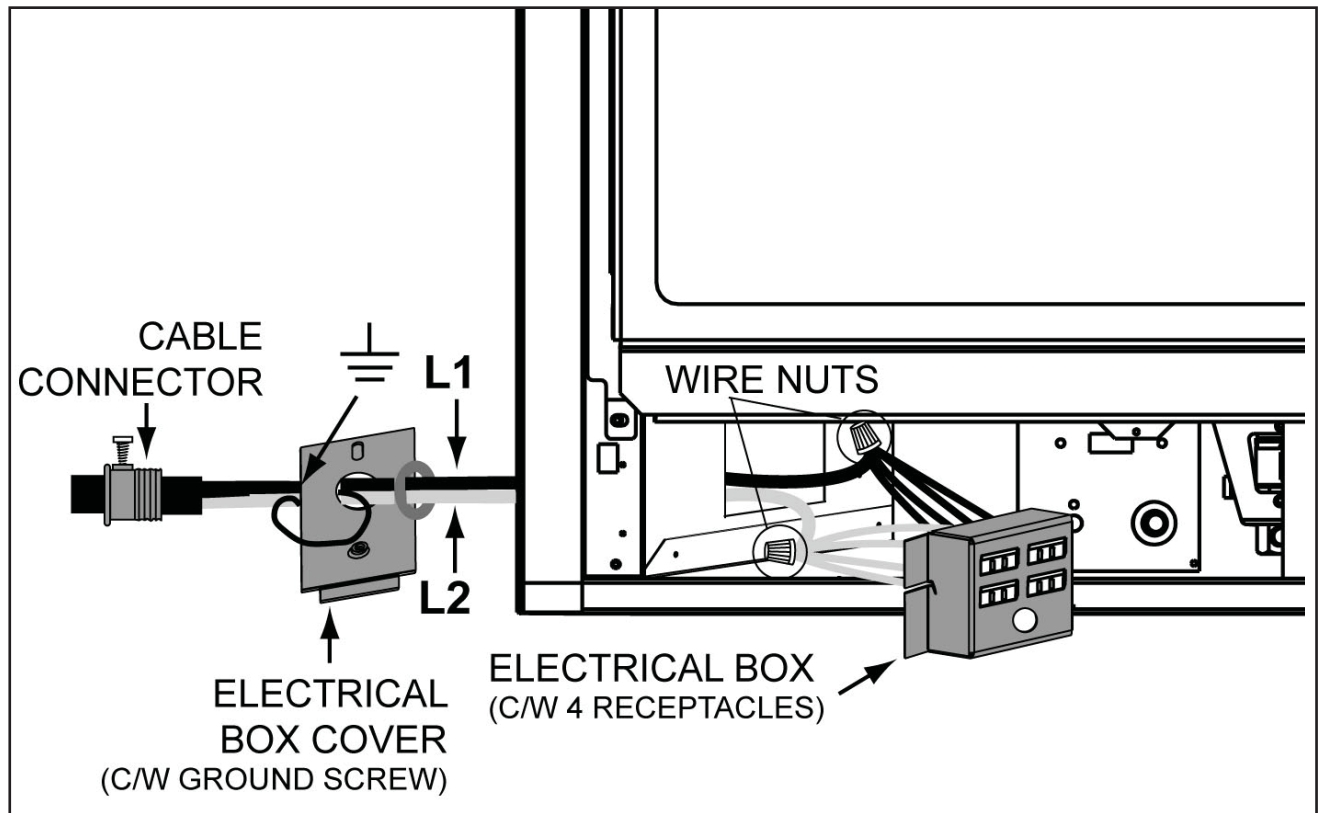
69.4

11.2 BGD36CFG / GD36M BURNER SWITCH

A wall switch or remote control must be installed in a convenient location to operate the main burner. A 20' length of 18 gauge wire is connected to the gas valve wire harness for this wall switch, however, if a greater length is required route 2-strand (solid core) wire complete with two 1/4" insulated male quick connects through the electrical hole located at the bottom left side of the appliance and connect to the wire harness as shown.



11.3 RECEPTACLE WIRING DIAGRAM



12.0 OPERATION

12.1 BGD36CF

WARNING

IF YOU DO NOT FOLLOW THESE INSTRUCTIONS EXACTLY, A FIRE OR EXPLOSION MAY RESULT CAUSING PROPERTY DAMAGE, PERSONAL INJURY OR LOSS OF LIFE.

ALWAYS LIGHT THE PILOT WHETHER FOR THE FIRST TIME OR IF THE GAS SUPPLY HAS RUN OUT WITH THE GLASS DOOR OPENED OR REMOVED.

Ensure that a continuous gas flow is at the burner before installing the door. When lit for the first time, the appliance will emit an odor for a few hours. This is a normal temporary condition caused by the "burn-in" of paints and lubricants used in the manufacturing process and will not occur again.

After extended periods of non-operation such as following a vacation or a warm weather season, the appliance may emit a slight odor for a few hours. This is caused by dust particles in the heat exchanger burning off. In both cases, open a window to sufficiently ventilate the room.

FOR YOUR SAFETY READ BEFORE LIGHTING:

- A. This appliance is equipped with a pilot which must be lit by hand while following these instructions exactly.
- B. Before operating smell all around the appliance area for gas and next to the floor because some gas is heavier than air and will settle on the floor.
- C. Use only your hand to turn the gas control knob. Never use tools. If the knob will not turn by hand, do not try to repair it. Call a qualified service technician. Force or attempted repair may result in a fire or explosion.
- D. Do not use this appliance if any part has been under water. Immediately call a qualified service technician to inspect the appliance and replace any part of the control system and any gas control which has been under water.

WHAT TO DO IF YOU SMELL GAS:




- Turn off all gas to the appliance.
- Open windows.
- Do not try to light any appliance.
- Do not touch any electric switch; do not use any phone in your building.
- Immediately call your gas supplier from a neighbor's phone. Follow the gas supplier's instructions.
- If you cannot reach your gas supplier, call the fire department.




LIGHTING INSTRUCTIONS:

WARNING: The gas valve has an interlock device which will not allow the pilot burner to be lit until the thermocouple has cooled. Allow approximately 60 seconds for the thermocouple to cool.

When lighting and re-lighting, the gas knob cannot be turned from pilot to off unless the knob is depressed slightly.

1. Stop! Read the above safety information on this label.
2. Turn off all electric power to the appliance.
3. Turn the gas knob clockwise  to off.
4. Wait five (5) minutes to clear out any gas. If you smell gas including near the floor. Stop! Follow "B" in the above safety information on this label. If you don't smell gas go the next step.
5. Turn gas knob counter-clockwise  to pilot.
6. Depress slightly and hold gas knob while lighting the pilot with the push button igniter. Keep knob depressed for one minute, then release. If pilot does not continue to burn, repeat steps 3 through 5.
7. With pilot lit, depress and turn gas knob counter-clockwise  to on.
8. If equipped with remote on-off switch / thermostat, main burner may not come on when you turn valve to on. Remote switch must be in the on position to ignite burner.
9. Turn on all electric power to the appliance.

TO TURN OFF GAS

1. Turn off all electric power to the appliance if service is to be performed.
2. Push in gas control knob slightly and turn clockwise  to off. Do not force.

TURN THE CONTROL VALVE TO THE OFF POSITION WHEN HEATER IS NOT IN USE.

! WARNING

IF YOU DO NOT FOLLOW THESE INSTRUCTIONS EXACTLY, A FIRE OR EXPLOSION MAY RESULT CAUSING PROPERTY DAMAGE, PERSONAL INJURY OR LOSS OF LIFE.

ALWAYS LIGHT THE PILOT WHETHER FOR THE FIRST TIME OR IF THE GAS SUPPLY HAS RUN OUT WITH THE GLASS DOOR OPENED OR REMOVED.

Ensure that a continuous gas flow is at the burner before installing the door. When lit for the first time, the appliance will emit an odor for a few hours. This is a normal temporary condition caused by the "burn-in" of paints and lubricants used in the manufacturing process and will not occur again. After extended periods of non-operation such as following a vacation or a warm weather season, the appliance may emit a slight odor for a few hours. This is caused by dust particles in the heat exchanger burning off. In both cases, open a window to sufficiently ventilate the room.

FOR YOUR SAFETY READ BEFORE LIGHTING:

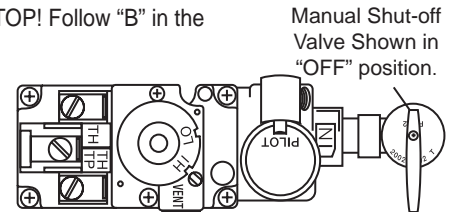
- A. This appliance is equipped with an ignition device which automatically lights the pilot. Do not try to light by hand.
- B. Before operating smell all around the appliance area for gas and next to the floor because some gas is heavier than air and will settle on the floor.
- C. Use only your hand to turn the gas control knob. Never use tools. If the knob will not turn by hand, do not try to repair it. Call a qualified service technician. Force or attempted repair may result in a fire or explosion.
- D. Do not use this appliance if any part has been under water. Immediately call a qualified service technician to inspect the appliance and replace any part of the control system and any gas control which has been under water.

WHAT TO DO IF YOU SMELL GAS:

- Turn off all gas to the appliance.
- Open windows.
- Do not try to light any appliance.
- Do not touch any electric switch; do not use any phone in your building.
- Immediately call your gas supplier from a neighbor's phone. Follow the gas supplier's instructions.
- If you cannot reach your gas supplier, call the fire department.

LIGHTING INSTRUCTIONS:

1. Stop! Read the above safety information on this label.
2. Turn remote wall switch to off position.
3. Turn off all electrical power to the appliance and remove batteries.
4. This appliance is equipped with an ignition device which automatically lights the pilot. Do not try to light the pilot by hand.
5. Turn manual shutoff valve clockwise to off.
6. Open the glass door.
7. Wait five (5) minutes to clear out any gas. If you smell gas including near the floor, STOP! Follow "B" in the above safety information on this label. If you don't smell gas go to the next step.
8. Close the glass door.
9. Turn manual shutoff valve counter-clockwise to on.
10. Turn on all electrical power to the appliance and re-install batteries.
11. Turn on remote wall switch to on position.
12. If appliance will not operate, follow instructions "TO TURN OFF GAS" and call your service technician or gas supplier.



TO TURN OFF GAS

1. Turn off remote wall switch to the appliance.
2. Turn off all electrical power to the appliance if service is to be performed.
3. Turn manual shutoff valve clockwise to off. Do not force.

13.0 ADJUSTMENTS

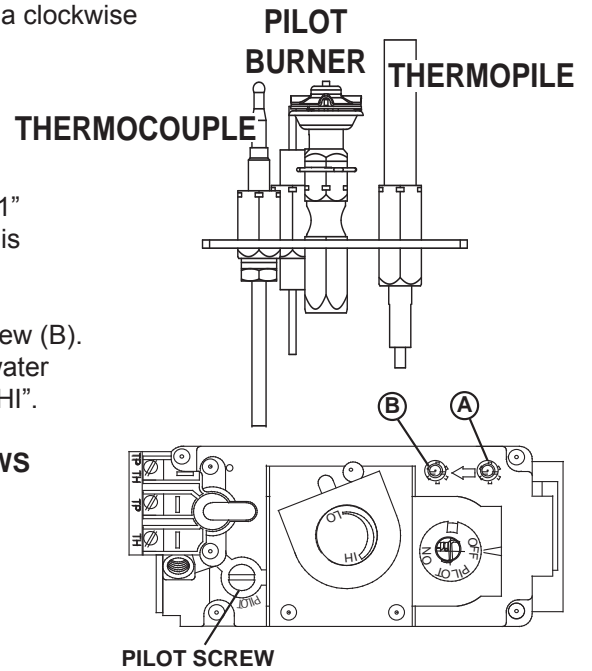
13.1 PILOT BURNER ADJUSTMENT

Adjust the pilot screw to provide properly sized flame. Turn in a clockwise direction to reduce the gas flow.

Inlet pressure can be checked by turning screw (A) counter-clockwise until loosened and then placing pressure gauge tubing over the test point. Gauge should read 7" (minimum 4.5") water column for natural gas or 13" (11" minimum) water column for propane. Check that main burner is operating on "HI".

Outlet pressure can be checked the same as above using screw (B). Gauge should read 3.5" water column for natural gas or 10" water column for propane. Check that main burner is operating on "HI".

AFTER TAKING PRESSURE READINGS, TIGHTEN SCREWS FIRMLY TO SEAL. DO NOT OVER TORQUE. LEAK TEST.



39.3

13.2 VENTURI ADJUSTMENT

13.2.1 BGD36CF VENTURI ADJUSTMENT

! WARNING

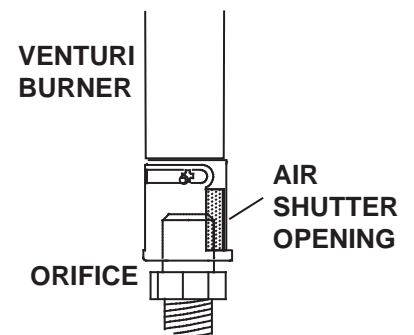
CARBON CAN BE DISTRIBUTED IN SURROUNDING LIVING AREA IF THE AIR SHUTTER IS IMPROPERLY ADJUSTED.

THE FRONT OF THE APPLIANCE BECOMES VERY HOT DURING OPERATION. LET THE APPLIANCE COOL COMPLETELY BEFORE CONDUCTING SERVICE.

This appliance has an air shutter that has been factory set open according to the chart below:

Regardless of venturi orientation, closing the air shutter will cause a more yellow flame, but can lead to carboning. Opening the air shutter will cause a more blue flame, but can cause flame lifting from the burner ports. The flame may not appear yellow immediately; allow 15 to 30 minutes for the final flame colour to be established.

AIR SHUTTER ADJUSTMENT MUST ONLY BE DONE BY A QUALIFIED INSTALLER!



49.1

	BGD36CF
NG	1/16"
LP	1/4"

To access the air shutter, remove the control panel, remove the two screws that secure the cover to the air housing, loosen the set screw and adjust air shutter position.

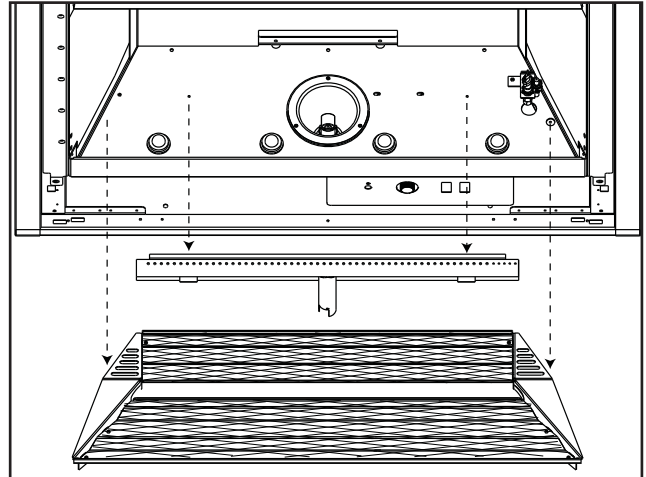
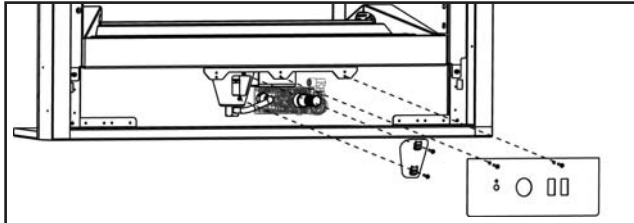


13.2.2 BGD36CFG / GD36M VENTURI ADJUSTMENT

! WARNING

CARBON CAN BE DISTRIBUTED IN SURROUNDING LIVING AREA IF THE AIR SHUTTER IS IMPROPERLY ADJUSTED.

THE FRONT OF THE APPLIANCE BECOMES VERY HOT DURING OPERATION. LET THE APPLIANCE COOL COMPLETELY BEFORE CONDUCTING SERVICE.



This appliance has an air shutter that has been factory set open according to the chart below:

Closing the air shutter will cause a more yellow flame, but can lead to carboning. Opening the air shutter will cause a more blue flame, but can cause flame lifting from the burner ports. The flame may not appear yellow immediately; allow 15 to 30 minutes for the final flame color to be established.

	BGD36CFG / GD36M
NG	0
LP	1/4"

AIR SHUTTER ADJUSTMENT MUST ONLY BE DONE BY A QUALIFIED INSTALLER!

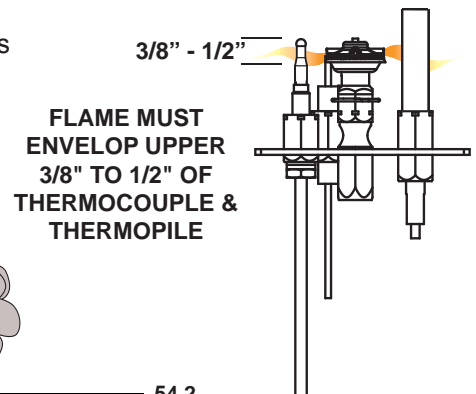
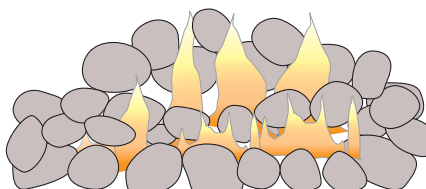
The alternate access is to remove the glass, glass ember tray and burner from the appliance and then adjust the air shutter.

NOTE: When removing the glass ember tray make sure the glass embers are away from the center of the screen, exposing the burner, before lifting glass ember tray out.

When replacing burner, absolutely no glass can be in cup surrounding the orifice. **HINT:** If glass falls into cup and surrounds the orifice, insert a clean bag into a vacuum cleaner and vacuum out glass embers. Replacement glass embers can be ordered from Wolf Steel Ltd.

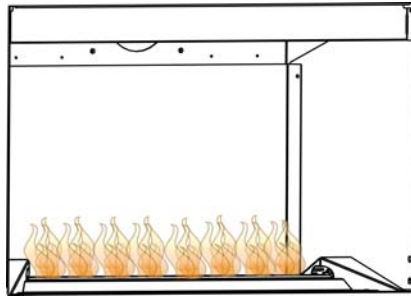
13.3 BGD36CF FLAME CHARACTERISTICS

It's important to periodically perform a visual check of the pilot and burner flames. Compare them to the illustrations provided. If any flames appear abnormal call a service person.

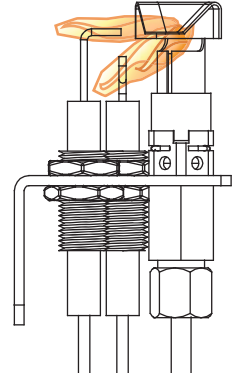


13.4 BGD36CFG / GD36M FLAME CHARACTERISTICS

It's important to periodically perform a visual check of the pilot and burner flames. Compare them to the illustrations provided. If any flames appear abnormal call a service person.



**FLAME MUST
ENVELOP UPPER
3/8" TO 1/2" OF
FLAME SENSOR**



54.4

14.0 MAINTENANCE

! WARNING

TURN OFF THE GAS AND ELECTRICAL POWER BEFORE SERVICING THE APPLIANCE.

APPLIANCE MAY BE HOT, DO NOT SERVICE UNTIL APPLIANCE HAS COOLED.

DO NOT USE ABRASIVE CLEANERS.

CAUTION: Label all wires prior to disconnection when servicing controls. Wiring errors can cause improper and dangerous operation. Verify proper operation after servicing. This appliance and its venting system should be inspected before use and at least annually by a qualified service person. The appliance area must be kept clear and free of combustible materials, gasoline or other flammable vapors and liquids. The flow of combustion and ventilation air must not be obstructed.

- A. In order to properly clean the burner and pilot assembly, remove the logs, rocks and/or glass to expose both assemblies.
- B. Keep the control compartment, media, burner, air shutter opening and the area surrounding the logs clean by vacuuming or brushing, at least once a year.
- C. Check to see that all burner ports are burning. Clean out any of the ports which may not be burning or are not burning properly.
- D. Check to see that the pilot flame is large enough to engulf the flame sensor and/or thermocouple / thermopile as well as reaches the burner.
- E. Replace the cleaned logs, rocks or glass. Failure to properly position the media may cause carboning which can be distributed in the surrounding living area.
- F. Check to see that the main burner ignites completely on all openings when turned on. A 5 to 10 second total light-up period is satisfactory. If ignition takes longer, consult your local authorized dealer / distributor.
- G. Check that the gasketing on the sides, top and bottom of the door is not broken or missing. Replace if necessary.
- H. If for any reason the vent air intake system is disassembled, re-install and re-seal per the instructions provided for the initial installation.

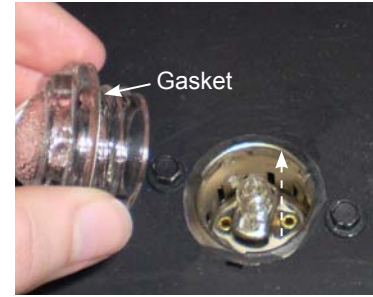
40.1

14.1 BULB REPLACEMENT BGD36CFG / GD36M

This appliance comes equipped with our "Night Light™".

If in the event the lamp or lens needs to be replaced, follow these instructions.

- A. Turn off all electrical supply.
- B. Remove the glass and glass ember tray from the firebox.
- C. Unscrew the lens cover making sure the gasket stays in place.
NOTE: Do not handle the lamp (bulb) with bare fingers, protect with a clean dry cloth.
- D. The lamp will pull straight out of the socket. Replace with Wolf Steel Ltd. parts only (W387-0009), as lamp and lens are special "high temperature" products.
- E. Replace lens cover.
- F. Replace glass and ember tray.



14.2 LENS ASSEMBLY REPLACEMENT BGD36CFG / GD36M

! WARNING

THE FRONT OF THE APPLIANCE BECOMES VERY HOT DURING OPERATION. LET THE APPLIANCE COOL COMPLETELY BEFORE CONDUCTING SERVICE.

- A. Remove the glass and glass ember tray.
- B. Remove the burner base from the firebox.
- C. Compress the retainer fins and lift out the lens assembly. Disconnect the wires.
- D. Replace lens assembly by aligning key hole and snap into place. Re-connect the wires.
- E. Re-install burner base ensuring a good firebox seal.
- F. Re-install glass ember tray and glass.



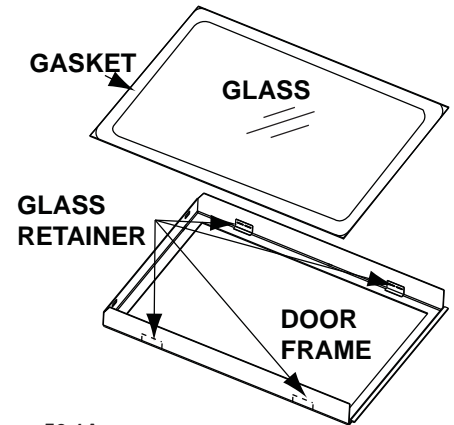
NOTE: When removing the glass ember tray make sure the glass embers are away from the center of the screen, exposing the burner, before lifting glass ember tray out.

When replacing burner, absolutely no glass embers can be in cup surrounding the orifice. **HINT:** If glass falls into cup and surrounds the orifice, insert a clean bag into a vacuum cleaner and vacuum out glass embers. Replacement glass embers can be ordered from Wolf Steel Ltd.

14.3 DOOR GLASS REPLACEMENT

! WARNING
DO NOT USE SUBSTITUTE MATERIALS.
GLASS MAY BE HOT, DO NOT TOUCH GLASS UNTIL COOLED.
CARE MUST BE TAKEN WHEN REMOVING AND DISPOSING OF ANY BROKEN DOOR GLASS OR DAMAGED COMPONENTS. BE SURE TO VACUUM UP ANY BROKEN GLASS FROM INSIDE THE APPLIANCE BEFORE OPERATION.
DO NOT STRIKE, SLAM OR SCRATCH GLASS. DO NOT OPERATE APPLIANCE WITH GLASS REMOVED, CRACKED, BROKEN OR SCRATCHED.

- A. Place the door frame face down careful not to scratch the paint.
- B. Center the gasketed glass inside the door frame with the thick side of the gasket facing up.
- C. Bend the glass retainers located along the edge of the door frame over the gasket holding the glass in place. Careful not to break the glass.



56.1A

14.4 CARE OF GLASS

DO NOT CLEAN GLASS WHEN HOT! DO NOT USE ABRASIVE CLEANERS TO CLEAN GLASS.

Buff lightly with a clean dry soft cloth. Clean both sides of the glass after the first 10 hours of operation with a recommended fireplace glass cleaner. Thereafter clean as required. If the glass is not kept clean permanent discoloration and / or blemishes may result.

! WARNING	
	<p>HOT GLASS WILL CAUSE BURNS.</p> <p>DO NOT TOUCH GLASS UNTIL COOLED.</p> <p>NEVER ALLOW CHILDREN TO TOUCH GLASS.</p>

5.1

14.5 CARE OF PLATED PARTS

If the appliance is equipped with plated parts, you must clean fingerprints or other marks from the plated surfaces before operating the appliance for the first time. Use a glass cleaner or vinegar and towel to clean. If not cleaned properly before operating for the first time, the marks can cause permanent blemishes on the plating. After the plating is cured, the fingerprints and oils will not affect the finish and little maintenance is required, just wipe clean as needed. Prolonged high temperature burning with the door ajar may cause discoloration on plated parts.

NOTE: The protective wrap on plated parts is best removed when the assembly is at room temperature but this can be improved if the assembly is warmed, using a hair dryer or similar heat source.

6.1

15.0 REPLACEMENTS

! WARNING

FAILURE TO POSITION THE PARTS IN ACCORDANCE WITH THIS MANUAL OR FAILURE TO USE ONLY PARTS SPECIFICALLY APPROVED WITH THIS APPLIANCE MAY RESULT IN PROPERTY DAMAGE OR PERSONAL INJURY.

**** THIS IS A FAST ACTING THERMOCOUPLE. IT IS AN INTEGRAL SAFETY COMPONENT. REPLACE ONLY WITH A FAST ACTING THERMOCOUPLE SUPPLIED BY WOLF STEEL LTD.**

Contact your dealer or the factory for questions concerning prices and policies on replacement parts. Normally all parts can be ordered through your Authorized dealer / distributor.

FOR WARRANTY REPLACEMENT PARTS, A PHOTOCOPY OF THE ORIGINAL INVOICE WILL BE REQUIRED TO HONOUR THE CLAIM.

When ordering replacement parts always give the following information:

- Model & Serial Number of appliance
- Installation date of appliance
- Part number
- Description of part
- Finish

*** IDENTIFIES ITEMS WHICH ARE NOT ILLUSTRATED. FOR FURTHER INFORMATION, CONTACT YOUR AUTHORIZED DEALER.**

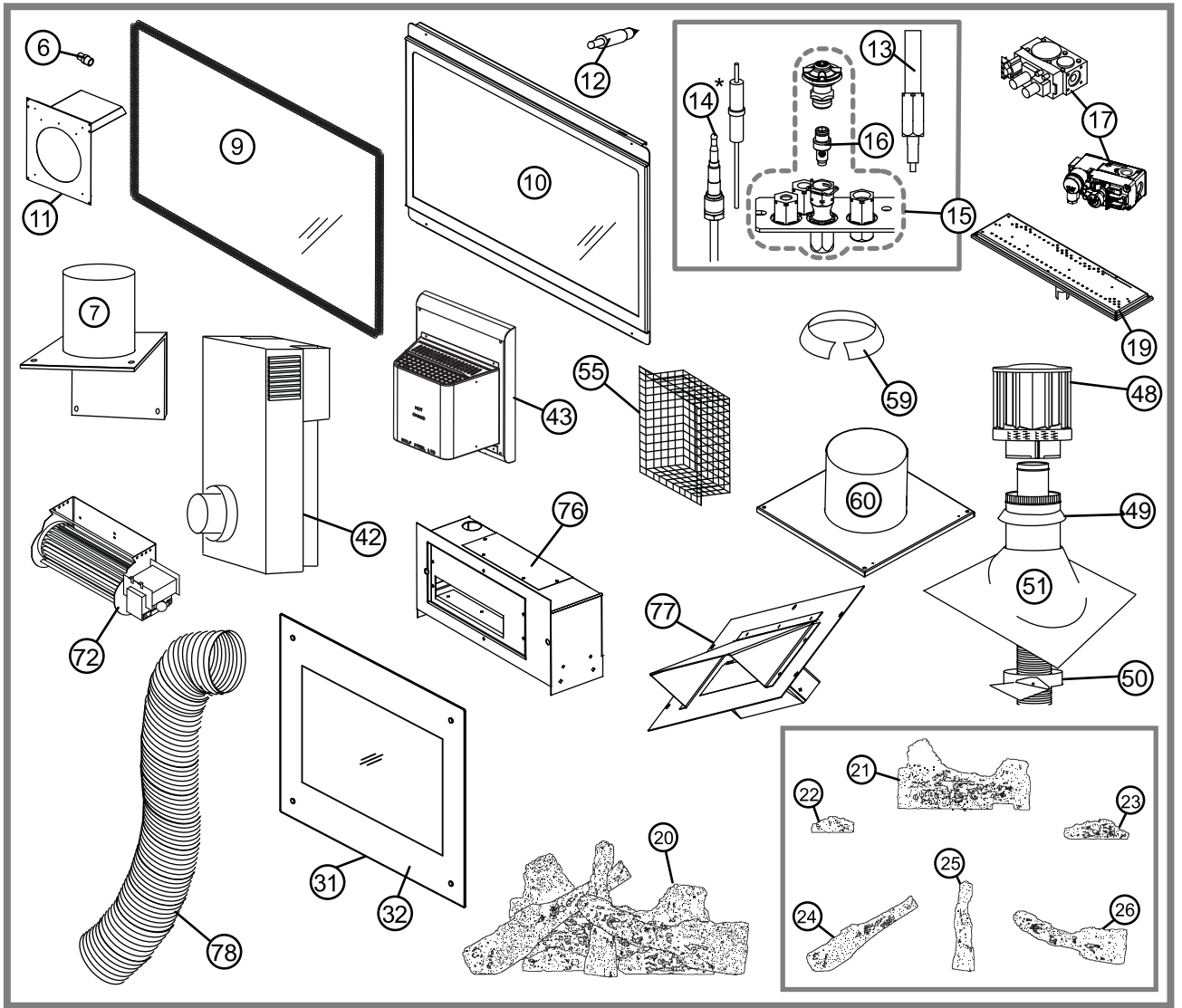
41.2

COMPONENTS

REF NO.	BGD36CF	BGD36CFG	GD36M	DESCRIPTION
1*	W385-0334	W385-0334	W385-0334	NAPOLEON® LOGO
2*	W750-0112	W750-0193	W750-0193	20FT OF WIRE (BURNER SWITCH)
2*	N/A	W750-0194	W750-0194	20FT OF WIRE (LIGHT SWITCH)
3*	W361-0016	N/A	N/A	GLOWING EMBERS
4*	W550-0001	N/A	N/A	CHARCOAL EMBERS
5*	W010-1340	W010-1340	W010-1340	BLACK DOOR FRAME
6	W456-0048	W456-0048	W456-0048	#48 NATURAL GAS ORIFICE
6	W456-0056	W456-0056	W456-0056	#56 PROPANE GAS ORIFICE
7	W010-0539	W010-0539	W010-0539	FLUE PIPE ASSEMBLY C/W GASKET
8	W010-0538	W010-0538	W010-0538	FLUE CAP C/W GASKET
9	W010-0454	W010-0454	W010-0454	GLASS C/W GASKET
10	W010-0516	W010-0516	W010-0516	BLACK DOOR C/W GLASS & GASKET
11	W010-1777	W010-1777	W010-1777	FIRESTOP SPACER
12	W357-0001	N/A	N/A	PIEZO IGNITER
13	W680-0004	N/A	N/A	THERMOPILE
14	W680-0005	N/A	N/A	THERMOCOUPLE **
15	W010-0800	N/A	N/A	PROPANE GAS PILOT ASSEMBLY
15	W010-0801	W010-1684	W010-1684	NATURAL GAS PILOT ASSEMBLY
16	W455-0069	W455-0091	W455-0091	NATURAL GAS PILOT INJECTOR
16	W455-0067	W455-0092	W455-0092	PROPANE GAS PILOT INJECTOR
17	W725-0025	W725-0032	W725-0032	NATURAL GAS VALVE
17	W725-0026	W725-0049	W725-0049	PROPANE GAS VALVE
18*	W361-0014	N/A	N/A	VERMICULITE
19	W010-0764	W100-0102	W100-0102	MAIN BURNER
20	GL-667	N/A	N/A	LOG SET
21	W135-0378	N/A	N/A	BACK LOG (#1)
22	W135-0381	N/A	N/A	LEFT MIDDLE LOG (#2)
23	W135-0382	N/A	N/A	RIGHT MIDDLE LOG (#3)
24	W135-0380	N/A	N/A	LEFT CROSSOVER LOG (#4)
25	W135-0383	N/A	N/A	CHARCOAL STRIP
26	W135-0379	N/A	N/A	RIGHT CROSSOVER LOG (#6)

COMPONENTS				
REF NO.	BGD36CF	BGD36CFG	GD36M	DESCRIPTION
27*	N/A	W300-0102	W300-0135	GLASS EMBERS
28*	N/A	W010-1835	W010-1835	GLASS EMBER TRAY
29*	N/A	W387-0011	W387-0012	HIGH TEMPERATURE LIGHT ASSEMBLY
30*	N/A	W387-0009 (5W)	W387-0013 (10W)	HALOGEN BULB
31	N/A	N/A	W010-2370	FLUSH GLASS FRONT ASSEMBLY
32	N/A	N/A	W300-0130	STYLO GLASS FACIA
33*	N/A	W190-0015	W190-0015	CONTROLE MODULE
34*	N/A	W190-0021	W190-0021	CONTROL RELAY
35*	N/A	W707-0002	W707-0002	TRANSFORMER, VALVE
36*	N/A	W707-0011	W707-0011	TRANSFORMER, LIGHTS
FLEXIBLE VENT KITS				
REF NO.	BGD36CF	BGD36CFG	GD36M	DESCRIPTION
GD220 (5 FT)				
37*	W010-0397	W010-0397	W010-0397	4" FLEXIBLE VENT PIPE - (5 FT) C/W SPACERS
38*	W410-0017	W410-0017	W410-0017	7" FLEXIBLE VENT PIPE - (5 FT)
GD330 (10 FT)				
39*	W410-0018	W410-0018	W410-0018	7" FLEXIBLE VENT PIPE - (10 FT)
40*	W010-0300	W010-0300	W010-0300	4" FLEXIBLE VENT PIPE - (10 FT) C/W SPACERS
41*	W010-0370	W010-0370	W010-0370	WALL SUPPORT ASSEMBLY
TERMINAL KITS				
REF NO.	BGD36CF	BGD36CFG	GD36M	DESCRIPTION
42	GD201	GD201	GD201	PERISCOPE
43	GD222	GD222	GD222	WALL TERMINAL KIT
ROOF TERMINAL KITS				
REF NO.	BGD36CF	BGD36CFG	GD36M	DESCRIPTION
44*	GD110	GD110	GD110	1/12 TO 7/12 PITCH
45*	GD111	GD111	GD111	8/12 TO 12/12 PITCH
46*	GD112	GD112	GD112	FLAT ROOF
47*	W490-0073	W490-0073	W490-0073	4/7 INNER/OUTER SLEEVE
48	W670-0006	W670-0006	W670-0006	4/7 TERMINAL
49	W170-0063	W170-0063	W170-0063	STORM COLLAR
50	W010-0453	W010-0453	W010-0453	ROOF SUPPORT
51	W263-0054	W263-0054	W263-0054	ROOF FLASHING
	W263-0055	W263-0055	W263-0055	
	W263-0056	W263-0056	W263-0056	

ACCESSORIES				
REF NO.	BGD36CF	BGD36CFG	GD36M	DESCRIPTION
52*	W175-0001	W175-0001	W175-0001	4" COUPLER
53*	W175-0013	W175-0013	W175-0013	7" COUPLER
54*	W500-0103	W500-0103	W500-0103	TERMINAL EXTENSION PLATE
55	GD-301	GD-301	GD-301	HEAT GUARD
56*	W010-0370	W010-0370	W010-0370	WALL SUPPORT ASSEMBLY
57*	W175-0053	W175-0053	W175-0053	DURA-VENT ZERO CLEARANCE ADAPTOR
58*	VS47KT	VS47KT	VS47KT	VENT SLEEVE
59	W170-0063	W170-0063	W170-0063	VENT PIPE COLLAR
60	W585-0072	W585-0072	W585-0072	VENT PIPE SHIELD
61*	W175-0159	W175-0278	W175-0278	CONVERSION KIT - NG TO LP
61*	W175-0164	W175-0279	W175-0279	CONVERSION KIT - LP TO NG
62*	GD831KT	N/A	N/A	DECORATIVE BRICK PANELS - SANDSTONE
63*	GD-565-1KT	GD-565-1KT	N/A	SAFETY SCREEN
64*	S36WN	S36WN	N/A	WAVE SURROUND - BROWN
64*	S36WP	S36WP	N/A	WAVE SURROUND - PEWTER
65*	S36CCN	S36CCN	N/A	CONCAVE SURROUND - BROWN
65*	S36CCP	S36CCP	N/A	CONCAVE SURROUND - PEWTER
66*	S36CVN	S36CVN	N/A	CONVEX SURROUND - BROWN
66*	S36CVP	S36CVP	N/A	CONVEX SURROUND - PEWTER
67*	CFT36W	CFT36W	N/A	UPPER TRIM FOR WAVE SURROUND
67*	CFT36CC	CFT36CC	N/A	UPPER TRIM FOR CONCAVE SURROUND
67*	CFT36CV	CFT36CV	N/A	UPPER TRIM FOR CONVEX SURROUND
68*	W690-0001	W690-0001	W690-0001	MILLIVOLT THERMOSTAT
69*	W690-0010B	W690-0010B	W690-0010B	REMOTE CONTROL - ADVANTAGE
70*	W690-0011B	W690-0011B	W690-0011B	REMOTE CONTROL - ADVANTAGE PLUS
71*	GZ550-1KT	GZ550-1KT	GZ550-1KT	BLOWER KIT
72	B440-KT	B440-KT	B440-KT	BLOWER
73*	W500-0033	W500-0033	W500-0033	VARIABLE SPEED SWITCH WALL MOUNTING PLATE
74*	W690-0005	W690-0005	W690-0005	THERMOSTAT, 110 VOLT FOR USE WITH GA-566
75*	W660-0026	W660-0026	W660-0026	PROGRAMMABLE TIMER
76	GA-566	GA-566	GA-566	HOT AIR KIT
77	GA-72	GA-72	GA-72	HOT AIR EXHAUST KIT
78	GA-70	GA-70	GA-70	EXTENSION KIT 5FT
79*	ANI-K	ANI-K	ANI-K	ANDIRONS - BLACK
80*	ANI-G	ANI-G	ANI-G	ANDIRONS - GOLD PLATED
81*	270	270	270	PAINT, BLACK - 13OZ
82*	W573-0007	W573-0007	W573-0007	10.3OZ TUBE HIGH TEMP SEALANT



16.0 TROUBLESHOOTING

16.1 BGD36CF

WARNING

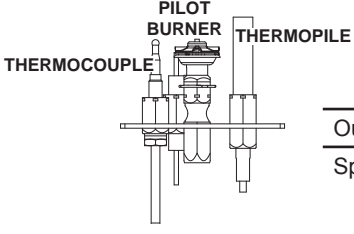
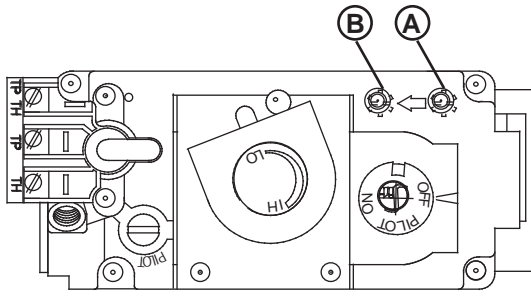
ALWAYS LIGHT THE PILOT WHETHER FOR THE FIRST TIME OR IF THE GAS SUPPLY HAS RAN OUT, WITH THE GLASS DOOR OPEN OR REMOVED.

TURN OFF THE GAS AND ELECTRICAL POWER BEFORE SERVICING THE APPLIANCE.

APPLIANCE MAY BE HOT, DO NOT SERVICE UNTIL APPLIANCE HAS COOLED.

DO NOT USE ABRASIVE CLEANERS.

SYMPTOM	PROBLEM	TEST SOLUTION
Main burner goes out; pilot stays on.	Pilot flame is not large enough or not engulfing the thermopile.	<ul style="list-style-type: none"> - Turn up the pilot flame. - Replace pilot assembly.
	Thermopile shorting.	<ul style="list-style-type: none"> - Clean thermopile connection to the valve. Reconnect. - Replace thermopile / valve.
	Remote wall switch wire is too long; too much resistance in the system.	<ul style="list-style-type: none"> - Shorten wire to correct length or wire gauge.
	Faulty thermostat or switch.	<ul style="list-style-type: none"> - Replace.
Main burner goes out; pilot goes out.	Refer to "MAIN BURNER GOES OUT; PILOT STAYS ON"	
	Vent is blocked	<ul style="list-style-type: none"> - Check for vent blockage.
	Vent is re-circulating	<ul style="list-style-type: none"> - Check joint seals and installation
	Flexible vent has become disconnected from appliance.	<ul style="list-style-type: none"> - Re-attach to appliance. - Cap was not replaced.
Pilot goes out when the gas knob is released. The gas valve has an interlock device which will not allow the pilot burner to be lit until the thermocouple has cooled. Allow approximately 60 seconds for the thermocouple to cool.	System is not correctly purged	<ul style="list-style-type: none"> - Purge the gas line.
	Out of propane gas.	<ul style="list-style-type: none"> - Fill the tank.
	Pilot flame is not large enough.	<ul style="list-style-type: none"> - Turn up the pilot flame.
	Pilot flame is not engulfing the thermocouple	<ul style="list-style-type: none"> - Gently twist the pilot head to improve the flame pattern around the thermocouple.
	Thermocouple shorting / faulty.	<ul style="list-style-type: none"> - Loosen and tighten thermocouple. - Clean thermocouple and valve connection. - Replace thermocouple. - Replace valve.
	Faulty valve.	<ul style="list-style-type: none"> - Replace.
Pilot burning; no gas to main burner; gas knob is on 'HI'; wall switch / thermostat is on.	Thermostat or switch is defective	<ul style="list-style-type: none"> - Connect a jumper wire across the wall switch terminals; if main burner lights, replace switch / thermostat.
	Wall switch wiring is defective.	<ul style="list-style-type: none"> - Disconnect the switch wires & connect a jumper wire across terminals 1 & 3; if the main burner lights, check the wires for defects and/or replace wires.
	Main burner orifice is plugged.	<ul style="list-style-type: none"> - Remove stoppage in orifice.
	Faulty valve.	<ul style="list-style-type: none"> - Replace.
Pilot goes out while standing; Main burner is in 'OFF' position.	Gas piping is undersized.	<ul style="list-style-type: none"> - Turn on all gas appliances and see if pilot flame flutters, diminishes or extinguishes, especially when main burner ignites. Monitor appliance supply working pressure. - Check if supply piping size is to code. Correct all undersized piping.
Main burner flame is a blue, lazy, transparent flame.	Blockage in vent.	<ul style="list-style-type: none"> - Remove blockage. In really cold conditions, ice buildup may occur on the terminal and should be removed as required. To minimize this from happening again, it is recommended that the vent lengths that pass through unheated spaces (attics, garages, crawl spaces) be wrapped with an insulated mylar sleeve. Prevent sleeve from sagging. Contact your local authorized dealer for more information.

SYMPTOM	PROBLEM	TEST SOLUTION
Pilot will not light. 	No spark at pilot burner.	<ul style="list-style-type: none"> - Check if pilot can be lit by a match. - Check that the wire is connected to the push button igniter. - Check if the push button igniter needs tightening. - Replace the wire if the wire insulation is broken or frayed. - Replace the electrode if the ceramic insulator is cracked or broken. - Replace the push button ignitor
	Out of propane gas.	<ul style="list-style-type: none"> - Fill the tank.
	Spark gap is incorrect.	<ul style="list-style-type: none"> - Spark gap should be 0.150" to 0.175" (5/32" to 11/64" approx.) from the electrode tip and the pilot burner. To ensure proper electrode location, tighten securing nut (finger tight plus 1/4 turn).
	No gas at the pilot burner.	<ul style="list-style-type: none"> - Check that the manual valve is turned on. - Check the pilot orifice for blockage. - Replace the valve. - Call the gas distributor.
Flames are consistently too large or too small. Carboning occurs. 	Unit is over-fired or underfired.	<ul style="list-style-type: none"> - Check pressure readings: - Inlet pressure can be checked by turning screw (A) counter-clockwise 2 or 3 turns and then placing pressure gauge tubing over the test point. Gauge should read 7" (minimum 4.5") water column for natural gas or 13" (minimum 11") water column for propane. Check with main burner is operating on 'HI'. - Outlet pressure can be checked the same as above using screw (B). Gauge should read 3.5" water column for natural gas or 10" water column for propane. Check that main burner is operating on 'HI'. - AFTER TAKING PRESSURE READINGS, BE SURE TO TURN SCREWS CLOCKWISE FIRMLY TO RESEAL. DO NOT OVER TORQUE. - Leak test with a soap and water solution.
	Flames are very aggressive.	Door is ajar.
Carbon is being deposited on glass, logs or combustion chamber surfaces.	Air shutter has become blocked.	<ul style="list-style-type: none"> - Ensure air shutter opening is free of lint or other obstructions.
	Flame is impinging on the logs or combustion chamber.	<ul style="list-style-type: none"> - Check that the logs are correctly positioned. - Open air shutter to increase the primary air. - Check the input rate: check the manifold pressure and orifice size as specified by the rating plate values. - Check that the door gasketing is not broken or missing and that the seal is tight. - Check that both vent liners are free of holes and well sealed at all joints. - Check that minimum rise per foot has been adhered to for any horizontal venting.
White / grey film forms.	Sulphur from fuel is being deposited on glass, logs or combustion chamber surfaces.	<ul style="list-style-type: none"> - Clean the glass with a recommended gas appliance glass cleaner. - DO NOT CLEAN GLASS WHEN HOT. - If deposits are not cleaned off regularly, the glass may become permanently marked.
Exhaust fumes smelled in room, headaches.	Appliance is spilling.	<ul style="list-style-type: none"> - Ensure exhaust bracket gasket seal. - Check door seal and relief flap seal. - Check for chimney blockage. - Check that chimney is installed to building code. - Room is in negative pressure; increase fresh air supply. - Check cap gasket on the flue pipe assembly.
	Remote wall switch is in 'OFF' position; main burner comes on when gas knob is turned to 'ON' position.	Wall switch is mounted upside down. Remote wall switch is grounding. Remote wall switch wire is grounding. Faulty valve.

! WARNING

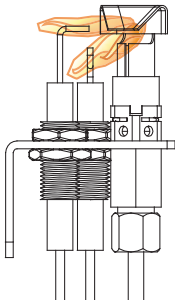
ALWAYS LIGHT THE PILOT WHETHER FOR THE FIRST TIME OR IF THE GAS SUPPLY HAS RAN OUT, WITH THE GLASS DOOR OPEN OR REMOVED.

TURN OFF THE GAS AND ELECTRICAL POWER BEFORE SERVICING THE APPLIANCE.

APPLIANCE MAY BE HOT, DO NOT SERVICE UNTIL APPLIANCE HAS COOLED.

DO NOT USE ABRASIVE CLEANERS.

SYMPTOM	PROBLEM	TEST SOLUTION
Pilot will not light. Makes noise with no spark at pilot burner.	Wiring.	- Verify the "S" wire for the sensor and the "I" wire for the ignitor are connected to the correct terminals (not reverse) on the module and pilot assembly.
	Loose connection.	- Verify no loose connections, electrical shorts in the wiring or ground out to any metal object.
	Module.	- Turn the ON/OFF switch to the "OFF" position. Remove the igniter wire "I" from the module. Place the ON/OFF switch to the "ON" position. Hold a grounded wire about 3/16" away from the "I" terminal on the module. If no spark the "I" terminal module must be replaced. If there is a spark the "I" terminal is fine. Inspect pilot assembly for a shorted wire or cracked insulator around the electrode.
	Igniter Spark gap is incorrect.	- Spark gap of the ignitor to the pilot should be .17" to 1/8"
	Transformer.	- Verify the transformer is installed and plugged into the module. Check voltage of the transformer under load at the spade connections on the module with the ON/OFF switch in the "ON" position. Acceptable readings of a good transformer are between 3.2 and 2.8 volts A.C.
	A shorted or loose Connection.	- Remove and reinstall the wiring harness that plugs into the module. Remove and verify continuity of each wire in wiring harness.
	Improper switch wiring.	- Troubleshoot the system with the simplest ON/OFF switch.
	Module is not grounded.	- Verify the valve and pilot assemblies are properly grounded to the metal chassis of the appliance or log set.
Pilot sparks but will not light.	Gas supply.	- Verify that the incoming gas line ball valve is "Open". Verify that the inlet pressure reading is within acceptable limits, inlet pressures must not exceed 14" W.C.
	Module is not grounded.	- Verify the valve and pilot assemblies are properly grounded to the metal chassis of the appliance or log set.
	Out of propane gas.	- Fill the tank.
Carbon is being deposited on glass, logs or combustion chamber surfaces.	Air shutter has become blocked.	- Ensure air shutter opening is free of lint or other obstructions.
	Flame is impinging on the logs or combustion chamber.	- Check that the logs are correctly positioned. - Open air shutter to increase the primary air. - Check the input rate: check the manifold pressure and orifice size as specified by the rating plate values. - Check that the door gasketing is not broken or missing and that the seal is tight. - Check that both vent liners are free of holes and well sealed at all joints. - Check that minimum rise per foot has been adhered to for any horizontal venting.



SYMPTOM	PROBLEM	TEST SOLUTION
Carbon is being deposited on glass, logs, rocks, media or combustion chamber surfaces.	Air shutter has become blocked.	- Ensure air shutter opening is free of lint or other obstructions.
	Flame is impinging on the glass, logs, rocks, media or combustion chamber.	- Check that the glass, logs, rocks or media are correctly positioned. - Open air shutter to increase the primary air. - Check the input rate: check the manifold pressure and orifice size as specified by the rating plate values. - Check that the door gasketing is not broken or missing and that the seal is tight. - Check that both vent liners are free of holes and well sealed at all joints. - Check that minimum rise per foot has been adhered to for any horizontal venting.
Continues to spark and pilot lights, but main burner will not light.	Short or loose connection in sensor rod.	- Verify all connections. Verify the connections from the pilot assembly are tight; also verify these connections are not grounding out to any metal.
	Poor flame rectification or contaminated sensor rod.	- Verify the flame is engulfing the sensor rod. This will increase the flame rectification. Verify correct pilot orifice is installed and inlet gas specifications to manual. (Remember, the flame carries the rectification current, not the gas. If the flame lifts from pilot hood, the circuit is broken. A wrong orifice or too high of an inlet pressure can cause the pilot flame to lift.) The sensor rod may need cleaning.
	Poor grounding between pilot assembly and gas valve.	- Verify that the wire harness is firmly connected to module. Verify that the ceramic insulator around the sensor rod is not cracked, damaged, or loose. Verify the connection from the sensor rod to the sensor wire.
	Damaged pilot or dirty sensor rod.	- Clean sensor rod with an emery cloth to remove any contamination that may have accumulated on the sensor rod. Verify continuity with multimeter with ohms set at the lowest range.
Pilot lights Stops sparking / pilot remains lit but burner will not turn on.	Wiring / Connection.	- Inspect all wires, ensure good tight connections. Verify that all wiring is installed exactly as specified.
	Wiring harness.	- Inspect the wiring harness, and verify the harness is tightly connected to the module. Verify that all wires are connected in the right order. See "WIRING DIAGRAM" section.
Exhaust fumes smelled in room, headaches.	Appliance is spilling.	- Check all seals. - Check if exhaust is re-entering through an open door or window.

42.7_2

17.0 WARRANTY

NAPOLEON® products are manufactured under the strict Standard of the world recognized ISO 9001 : 2008 Quality Assurance Certificate.

NAPOLEON® products are designed with superior components and materials assembled by trained craftsmen who take great pride in their work. The burner and valve assembly are leak and test-fired at a quality test station. The complete appliance is again thoroughly inspected by a qualified technician before packaging to ensure that you, the customer, receives the quality product that you expect from NAPOLEON®.

NAPOLEON® GAS APPLIANCE PRESIDENT'S LIFETIME LIMITED WARRANTY

The following materials and workmanship in your new NAPOLEON® gas appliance are warranted against defects for as long as you own the appliance. This covers: combustion chamber, heat exchanger, stainless steel burner, phazer™ logs and embers, rocks, ceramic glass (thermal breakage only), gold plated parts against tarnishing, porcelainized enameled components and aluminum extrusion trims.*

Electrical (110V and millivolt) components and wearable parts such as blowers, gas valves, thermal switch, switches, wiring, remote controls, ignitor, gasketing, and pilot assembly are covered and NAPOLEON® will provide replacement parts free of charge during the first year of the limited warranty.*

Labour related to warranty repair is covered free of charge during the first year. Repair work, however, requires the prior approval of an authorized company official. Labour costs to the account of NAPOLEON® are based on a predetermined rate schedule and any repair work must be done through an authorized NAPOLEON® dealer.

* Construction of models vary. Warranty applies only to components included with your specific appliance.

CONDITIONS AND LIMITATIONS

NAPOLEON® warrants its products against manufacturing defects to the original purchaser only. Registering your warranty is not necessary. Simply provide your proof of purchase along with the model and serial number to make a warranty claim. NAPOLEON® reserves the right to have its representative inspect any product or part thereof prior to honouring any warranty claim. Provided that the purchase was made through an authorized NAPOLEON® dealer your appliance is subject to the following conditions and limitations:

Warranty coverage begins on the date of original installation.

This factory warranty is non-transferable and may not be extended whatsoever by any of our representatives.

The gas appliance must be installed by a licensed, authorized service technician or contractor. Installation must be done in accordance with the installation instructions included with the product and all local and national building and fire codes.

This limited warranty does not cover damages caused by misuse, lack of maintenance, accident, alterations, abuse or neglect and parts installed from other manufacturers will nullify this warranty.

This limited warranty further does not cover any scratches, dents, corrosion or discoloring caused by excessive heat, abrasive and chemical cleaners nor chipping on porcelain enamel parts, mechanical breakage of PHAZER™ logs and embers.

This warranty extends to the repair or replacement of warranted parts which are defective in material or workmanship provided that the product has been operated in accordance with the operation instructions and under normal conditions.

After the first year, with respect to this President's Lifetime Limited Warranty, NAPOLEON® may, at its discretion, fully discharge all obligations with respect to this warranty by refunding to the original warranted purchaser the wholesale price of any warranted but defective part(s).

NAPOLEON® will not be responsible for installation, labour or any other expenses related to the reinstallation of a warranted part and such expenses are not covered by this warranty.

Notwithstanding any provisions contained in the President's Lifetime Limited Warranty, NAPOLEON'S responsibility under this warranty is defined as above and it shall not in any event extend to any incidental, consequential or indirect damages.

This warranty defines the obligations and liability of NAPOLEON® with respect to the NAPOLEON® gas appliance and any other warranties expressed or implied with respect to this product, its components or accessories are excluded.

NAPOLEON® neither assumes, nor authorizes any third party to assume, on its behalf, any other liabilities with respect to the sale of this product.

NAPOLEON® will not be responsible for: over-firing, downdrafts, spillage caused by environmental conditions such as rooftops, buildings, nearby trees, hills, mountains, inadequate vents or ventilation, excessive venting configurations, insufficient makeup air, or negative air pressures which may or may not be caused by mechanical systems such as exhaust fans, furnaces, clothes dryers, etc.

Any damages to the appliance, combustion chamber, heat exchanger, plated trim or other components due to water, weather damage, long periods of dampness, condensation, damaging chemicals or cleaners will not be the responsibility of NAPOLEON®.

All parts replaced under the President's Limited Lifetime Warranty Policy are subject to a single claim.

During the first 10 years NAPOLEON® will replace or repair the defective parts covered by the lifetime warranty at our discretion free of charge. From 10 years to life, NAPOLEON® will provide replacement parts at 50% of the current retail price.

All parts replaced under the warranty will be covered for a period of 90 days from the date of their installation.

The manufacturer may require that defective parts or products be returned or that digital pictures be provided to support the claim. Returned products are to be shipped prepaid to the manufacturer for investigation. If a product is found to be defective, the manufacturer will repair or replace such defect.

Before shipping your appliance or defective components, your dealer must obtain an authorization number. Any merchandise shipped without authorization will be refused and returned to sender.

Shipping costs are not covered under this warranty.

Additional service fees may apply if you are seeking warranty service from a dealer.

Warranty labour allowance is only for the replacement of the warranted part. Travel, diagnostic tests, shipping and other related charges are not covered by this warranty.

ALL SPECIFICATIONS AND DESIGNS ARE SUBJECT TO CHANGE WITHOUT PRIOR NOTICE DUE TO ON-GOING PRODUCT IMPROVEMENTS. NAPOLEON® IS A REGISTERED TRADEMARK OF WOLF STEEL LTD.



Other products available from your
Authorized Napoleon® Fireplace Dealer...



Patio Heaters



Fireplace Mantels



HVAC Products



Electric Fireplaces



Outdoor Living Products



Fireplace Accessories

Contact your Authorized Napoleon® dealer or visit napoleonfireplaces.com for more information.



Autres produits offerts chez votre détaillant de foyers Napoléon® autorisé...
Pour de plus amples renseignements, contactez votre détaillant Napoléon® autorisé ou visitez le napoléonfoyers.com.



Chauffe-patios



Manteaux de foyer



Produits HVAC



Foyers électriques



Produits de divertissement extérieurs



Accessoires de foyer

18.0**HISTORIQUE D'ENTRETIEN****Historique d'entretien Wolf Steel**

Cet appareil doit être entretenu annuellement selon son usage.

Date	Détailant	Nom du technicien	Travail effectué	Problèmes particuliers

17.0 GARANTIE

NAPOLEON® products are manufactured under the strict Standard of the world recognized ISO 9001 : 2008 Quality Assurance Certificate.

NAPOLEON® products are designed with superior components and materials assembled by trained craftsmen who take great pride in their work. The burner and valve assembly are leak and test-fired at a quality test station. The complete appliance is again thoroughly inspected by a qualified technician before packaging to ensure that you, the customer, receives the quality product that you expect from NAPOLEON®.

NAPOLEON® GAS APPLIANCE PRESIDENT'S LIFETIME LIMITED WARRANTY

The following materials and workmanship in your new NAPOLEON® gas appliance are warranted against defects for as long as you own the appliance. This covers: combustion chamber, heat exchanger, stainless steel burner, phazer™ logs and embers, rocks, ceramic glass (thermal breakage only), gold plated parts against tarnishing, porcelainized enameled components and aluminum extension trims.*

Electrical (110V and millivolt) components and wearable parts such as blowers, gas valves, thermal switch, switches, wiring, remote controls, ignitor, gasketing, and pilot assembly are covered and NAPOLEON® will provide replacement parts free of charge during the first year of the limited warranty.*

Labour related to warranty repair is covered free of charge during the first year. Repair work, however, requires the prior approval of an authorized company official. Labour costs to the account of NAPOLEON® are based on a predetermined rate schedule and any repair work must be done through an authorized NAPOLEON® dealer.

* Construction of models vary. Warranty applies only to components included with your specific appliance.

CONDITIONS AND LIMITATIONS

NAPOLEON® warrants its products against manufacturing defects to the original purchaser only. Registering your warranty is not necessary. Simply provide your proof of purchase along with the model and serial number to make a warranty claim. NAPOLEON® reserves the right to have its representative inspect any product or part thereof prior to honouring any warranty claim. Provided that the purchase was made through an authorized NAPOLEON® dealer your appliance is subject to the following conditions and limitations:

Warranty coverage begins on the date of original installation.

This factory warranty is non-transferable and may not be extended whatsoever by any of our representatives.

The gas appliance must be installed by a licensed, authorized service technician or contractor. Installation must be done in accordance with the installation instructions included with the product and all local and national building and fire codes.

This limited warranty does not cover damages caused by misuse, lack of maintenance, accident, alterations, abuse or neglect and parts installed from other manufacturers will nullify this warranty.

This limited warranty further does not cover any scratches, dents, corrosion or discoloring caused by excessive heat, abrasive and chemical cleaners nor chipping on porcelain enamel parts, mechanical breakage of PHAZER™ logs and embers.

This warranty extends to the repair or replacement of warranted parts which are defective in material or workmanship provided that the product has been operated in accordance with the operation instructions and under normal conditions.

After the first year, with respect to this President's Lifetime Limited Warranty, NAPOLEON® may, at its discretion, fully discharge all obligations with respect to this warranted but defective part(s).

NAPOLEON® will not be responsible for installation, labour or any other expenses related to the reinstallation of a warranted part and such expenses are not covered by this warranty.

Notwithstanding any provisions contained in the President's Lifetime Limited Warranty, NAPOLEON'S responsibility under this warranty is defined as above and it shall not in any event extend to any incidental, consequential or indirect damages.

This warranty defines the obligations and liability of NAPOLEON® with respect to the NAPOLEON® gas appliance and any other warranties expressed or implied with respect to this product, its components or accessories are excluded.

NAPOLEON® neither assumes, nor authorizes any third party to assume, on its behalf, any other liabilities with respect to the sale of this product. NAPOLEON® will not be responsible for: over-firing, downdrafts, spillage caused by environmental conditions such as rooftops, buildings, nearby trees, hills, mountains, inadequate vents or ventilation, excessive venting configurations, insufficient makeup air, or negative air pressures which may or may not be caused by mechanical systems such as exhaust fans, furnaces, clothes dryers, etc.

Any damages to the appliance, combustion chamber, heat exchanger, plated trim or other components due to water, weather damage, long periods of dampness, condensation, damaging chemicals or cleaners will not be the responsibility of NAPOLEON®.

All parts replaced under the President's Lifetime Warranty Policy are subject to a single claim.

During the first 10 years NAPOLEON® will replace or repair the defective parts covered by the lifetime warranty at our discretion free of charge. From 10 years to life, NAPOLEON® will provide replacement parts at 50% of the current retail price.

All parts replaced under the warranty will be covered for a period of 90 days from the date of their installation.

The manufacturer may require that defective parts or products be returned or that digital pictures be provided to support the claim. Returned products are to be shipped prepaid to the manufacturer for investigation. If a product is found to be defective, the manufacturer will repair or replace such defect.

Before shipping your appliance or defective components, your dealer must obtain an authorization number. Any merchandise shipped without authorization will be refused and returned to sender.

Shipping costs are not covered under this warranty.

Additional service fees may apply if you are seeking warranty service from a dealer.

Warranty labour allowance is only for the replacement of the warranted part. Travel, diagnostic tests, shipping and other related charges are not covered by this warranty.

ALL SPECIFICATIONS AND DESIGNS ARE SUBJECT TO CHANGE WITHOUT PRIOR NOTICE DUE TO ON-GOING PRODUCT IMPROVEMENTS. NAPOLEON® IS A REGISTERED TRADEMARK OF WOLF STEEL LTD.

SYMPTÔME	PROBLÈME	SOLUTIONS
Du carbone se dépose sur la vitre, les bûches, les roches, les composants décoratifs ou les parois de la chambre de combustion.	Les flammes effleurent la vitre, les bûches, les roches, les composants décoratifs ou la chambre de combustion.	<ul style="list-style-type: none"> - Vérifiez si la vitre, les bûches, les roches ou les composants décoratifs sont positionnés correctement. - Augmentez l'ouverture du volet d'air pour augmenter le volume d'air primaire. - Vérifiez le débit d'alimentation : vérifiez que la pression du collecteur et la grandeur de l'injecteur sont telles que spécifiées sur la plaque d'homologation. - Vérifiez si les joints de la porte ne sont pas brisés ou manquants et qu'ils sont étanches. - Vérifiez que les deux conduits d'évent ne sont pas troués et qu'ils sont bien scellés à tous les joints. - Vérifiez si l'élévation minimale par pied est conforme pour toute évacuation horizontale.
Continue de produire des étincelles et la veilleuse s'allume, mais le brûleur principal ne s'allume pas.	Court-circuit ou connexion desserrée dans la tige de la sonde.	Vérifiez toutes les connexions. Vérifiez si les connexions de l'assemblage de la veilleuse sont serrées; vérifiez aussi si ces connexions ne causent pas de mise à la terre au niveau du métal.
brûleur principal ne s'allume pas.	Mauvais redressement du courant de la flamme ou tige de sonde contaminée.	Vérifiez si la flamme enveloppe la tige de la sonde. Ceci augmentera le redressement du courant de la flamme. Vérifiez si le bon injecteur de veilleuse est installé et que l'alimentation en gaz est conforme aux spécifications du manuel. (Souvenez-vous que la flamme transporte le courant redresseur et non le gaz. Si la flamme se détache de la hotte, le circuit est rompu. Un mauvais injecteur ou une pression d'arrivée trop élevée peut causer la flamme de la veilleuse à se détacher.) La tige de la sonde a possiblement besoin d'être nettoyée.
Mauvaise mise à la terre entre l'assemblage de la veilleuse et la soupape de gaz.	Vérifiez si le harnais de fils est solidement branché au module. Vérifiez si l'isolateur de céramique autour de la sonde est craqué, endommagé ou desserré. Vérifiez la connexion de la tige de la sonde au fil de la sonde.	
Veilleuse endommagée ou tige de sonde sale.	Nettoyez la tige de la sonde avec une toile d'acier fin d'enlever toute contamination qui ait pu s'accumuler sur la tige de la sonde. Vérifiez la continuité avec un multimètre réglé sur Ohms au calibre le plus bas.	
La veilleuse s'allume. Arrête de produire des étincelles/la veilleuse reste allumée, mais le brûleur ne s'allume pas.	Filage/connexion.	<ul style="list-style-type: none"> - Inspectez tous les fils, assurez-vous que les connexions sont bien serrées. Vérifiez si tout le filage est installé exactement tel que spécifié. - Inspectez le harnais de fils et vérifiez qu'il soit solidement branché au module. Vérifiez que tous les fils sont branchés dans le bon ordre. Voir la section « SCHEMA DE CÂBLAGE ».
On détecte l'odeur des gaz de combustion dans la pièce; maux de tête.	L'appareil retouille les gaz de combustion dans la pièce.	<ul style="list-style-type: none"> - Vérifiez tous les joints scellés. - Vérifiez si l'odeur de gaz n'entre pas par une porte ou une fenêtre ouverte.

42.7.2

AVERTISSEMENT	
ALLUMEZ TOUJOURS LA VEILLEUSE, QUE CE SOIT POUR LA PREMIÈRE FOIS OU LORSQU'ELLE EST ÉPUISÉE, AVEC LA PORTE VITRÉE OUVERTE OU RETIRÉE.	
COUPEZ L'ALIMENTATION EN GAZ ET L'ALIMENTATION ÉLECTRIQUE AVANT DE PROCÉDER À L'ENTRETIEN DE L'APPAREIL.	
L'APPAREIL PEUT ÊTRE CHAUD. N'EFFECUEZ AUCUN ENTRETIEN JUSQU'À CE QUE L'APPAREIL SOIT REFROIDI.	
N'UTILISEZ PAS DE NETTOYANTS ABRASIFS.	
SYMPTÔME	PROBLÈME

La veilleuse ne s'allume pas.

Filage: Vérifiez si le fil « S » pour la sonde et le fil « I » pour l'allumeur sont raccordés aux bonnes bornes (non inversés) sur le module d'allumage et l'assemblage de la veilleuse.

Connexion desserrée. Vérifiez qu'il n'y ait pas de connexions desserrées, de courts-circuits dans le filage ou des contacts avec des objets métalliques.

Module d'allumage. Mettez l'interrupteur MARCHÉ/ARRÊT à « OFF ». Retirez le fil d'allumage « I » du module. Mettez l'interrupteur MARCHÉ/ARRÊT à « ON ». Tenez un fil mis à la terre à environ 3/16" de la borne « I » sur le module. S'il n'y a pas d'étincelle, la borne du module doit être remplacée. S'il y a une étincelle, la borne « I » fonctionne bien. Inspectez l'assemblage de la veilleuse pour un fil causant un court-circuit ou un isolateur craqué autour de l'électrode.

La longueur de l'étincelle est incorrecte. La longueur de l'étincelle de l'allumeur à la veilleuse devrait être de 0,17" à 1/8".

Transformateur. Vérifiez si le transformateur est installé et branché dans le module. Vérifiez le voltage du transformateur sous tension aux connexions sur le module avec l'interrupteur MARCHÉ/ARRÊT à « ON ». Les lectures acceptables d'un bon transformateur se situent entre 3,2 et 2,8 volts C.A.

Une connexion desserrée ou causant un court-circuit. Retirez et réinstallez le harnais de fils qui se branche dans le module. Retirez et vérifiez la continuité de chaque fil dans le filage d'interrupteur inapproprié.

Le module n'est pas mis à la terre. Vérifiez si les assemblages de la veilleuse et de la soupape sont bien mis à la terre au niveau du châssis métallique de l'appareil ou de l'ensemble de bûches.

Alimentation en gaz. Vérifiez si la soupape à bille de la conduite d'arrivée du gaz est « Ouverte ». Vérifiez si la pression d'arrivée est dans les limites acceptables. La pression d'arrivée ne doit pas excéder 14" de colonne d'eau.

Le module n'est pas mis à la terre. Vérifiez si les assemblages de la veilleuse et de la soupape sont bien mis à la terre au niveau du châssis métallique de l'appareil ou de l'ensemble de bûches.

Plus de propane. Remplissez le réservoir.

Le volet d'air est bloqué. Assurez-vous que l'ouverture du volet d'air n'est pas bloquée par des fibres ou autres obstructions.

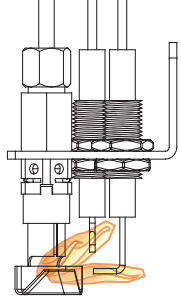
La flamme effleure les bûches ou les parois de la chambre de combustion. Augmentez l'ouverture du volet d'air pour augmenter le volume d'air primaire.

Vérifiez le débit d'alimentation : vérifiez que la pression du collecteur et la grandeur de l'injecteur soient telles que spécifiées sur la plaque d'homologation.

Vérifiez si les joints de la porte ne sont pas brisés ou manquants et qu'ils sont étanches.

Vérifiez si les deux conduits d'évent ne sont pas troués et qu'ils sont bien scellés à tous les joints.

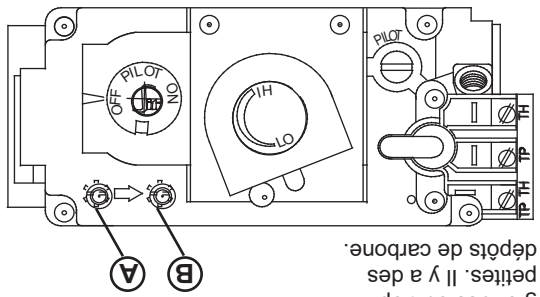
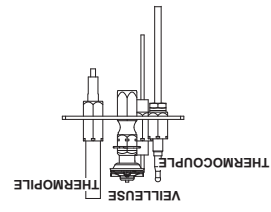
Vérifiez si l'élevation minimale par pied est conforme pour toute évacuation horizontale.



Il y a du bruit, mais aucune étincelle au brûleur de la veilleuse.

Du carbone se dépose sur la vitre, les bûches ou les parois de la chambre de combustion.

SYMPTÔME	PROBLÈME	SOLUTIONS
<p>La veilleuse ne s'allume pas.</p> <p>Aucune étincelle au brûleur de la veilleuse.</p>	<p>Plus de propane.</p> <p>La longueur de l'étincelle est incorrecte.</p>	<p>Remplissez le réservoir.</p> <p>La longueur de l'étincelle devrait être de 0,150" à 0,175" (5/32" à 11/64" approx.) entre la pointe de l'électrode et le brûleur de la veilleuse.</p> <p>Pour que l'électrode soit bien placée, serrez l'écran avec les doigts et tournez 1/4 de tour de plus.</p> <p>Vérifiez si la soupape manuelle est ouverte.</p> <p>Vérifiez si l'injecteur de la veilleuse est bloqué.</p> <p>Remplacez la soupape.</p> <p>Contactez le fournisseur de gaz.</p>
<p>Les flammes sont régulièrement trop grandes ou trop petites. Il y a des dépôts de carbone.</p>	<p>La pression du gaz est trop faible ou trop forte.</p>	<p>Vérifiez la pression :</p> <p>Pour vérifier la pression d'arrivée, tournez deux ou trois fois la vis (A) vers la gauche, puis embôitez le tube du manomètre sur la pointe d'essai. Le manomètre doit indiquer 7" (minimum 4,5") de colonne d'eau pour le gaz naturel ou 13" (minimum 11") de colonne d'eau pour le propane. Assurez-vous que le brûleur principal fonctionne à « HI ».</p> <p>APRÈS AVOIR PRIS LA LECTURE DES PRESSIONS, ASSUREZ-VOUS DE TOURNER FERMEMENT LA VIS VERS LA DROITE POUR SCELLER. NE SERREZ PAS TROP FORT.</p> <p>Vérifiez pour des fuites en appliquant une solution d'eau savonneuse.</p>
<p>Les flammes sont très actives.</p>	<p>La porte est entrouverte.</p>	<p>Serrez les vis qui retiennent la porte en place.</p>
<p>Du carbone se dépose sur la vitre, les bûches ou les parois de la chambre de combustion.</p> <p>les bûches ou les parois de la chambre de combustion.</p> <p>La flamme effleure les bûches ou les parois de la chambre de combustion.</p>	<p>Le volet d'air est bloqué.</p>	<p>Assurez-vous que l'ouverture du volet d'air n'est pas bloquée par des fibres ou autres obstructions.</p> <p>Vérifiez si les bûches sont positionnées correctement.</p> <p>Augmentez l'ouverture du volet d'air pour augmenter le volume d'air primaire.</p> <p>Vérifiez le débit d'alimentation : vérifiez que la pression du collecteur et la grandeur de l'injecteur sont telles que spécifiées sur la plaque d'homologation.</p> <p>Vérifiez si les joints de la porte ne sont pas brisés ou manquants et qu'ils sont étanches.</p> <p>Vérifiez si les deux conduits d'évent ne sont pas troués et qu'ils sont bien scellés à tous les joints.</p> <p>Vérifiez si l'évacuation minimale par pied est conforme pour toute évacuation horizontale.</p>
<p>Une pellicule blanche ou grise se forme.</p>	<p>Le souffre du combustible se dépose sur la vitre, les bûches ou les parois de la chambre de combustion.</p>	<p>Nettoyez la vitre avec un nettoyeur recommandé.</p> <p>NE PAS NETTOYER LORSQU'ELLE EST CHAUDE.</p> <p>Si vous ne nettoyez pas les dépôts régulièrement, la vitre risque de rester marquée en permanence.</p>
<p>On détecte l'odeur des gaz de combustion dans la pièce.</p> <p>L'appareil refoule les gaz de combustion dans la pièce.</p>	<p>L'appareil refoule les gaz de combustion.</p>	<p>Assurez-vous de l'étanchéité de la buse d'évacuation amovible.</p> <p>Vérifiez tous les joints scellés et la plaque d'expansion.</p> <p>Vérifiez si la cheminée ne serait pas bloquée.</p> <p>Vérifiez si la cheminée est installée selon les codes du bâtiment.</p> <p>La pièce est sous pression négative; augmentez l'apport d'air frais.</p> <p>Vérifiez le joint d'étanchéité du couvercle d'évacuation.</p>
<p>L'interrupteur mural est à « OFF » ; le brûleur principal s'allume lorsque le bouton du gaz est tourné à « ON ».</p>	<p>L'interrupteur mural est raccordé à l'envers.</p>	<p>Raccordez à l'endroit.</p>
<p>L'interrupteur mural est raccordé à l'envers.</p>	<p>L'interrupteur mural cause un court-circuit.</p>	<p>Remplacez.</p>
<p>L'interrupteur mural est raccordé à l'envers.</p>	<p>Le fil de l'interrupteur mural cause un court-circuit.</p>	<p>Vérifiez si le fil est bien mis à la terre; réparez ou remplacez le fil.</p>
<p>Soupape défectueuse.</p>	<p>Soupape défectueuse.</p>	<p>Remplacez.</p>



⚠ AVERTISSEMENT

ALLUMEZ TOUJOURS LA VEILLEUSE, QUE CE SOIT POUR LA PREMIÈRE FOIS OU LORSQU'ELLE A ÉTÉ RÉPARÉE.

L'APPROVISIONNEMENT EN GAZ EST ÉPUISÉ, AVEC LA PORTE VITRÉE OUVERTE OU RETIRÉE.

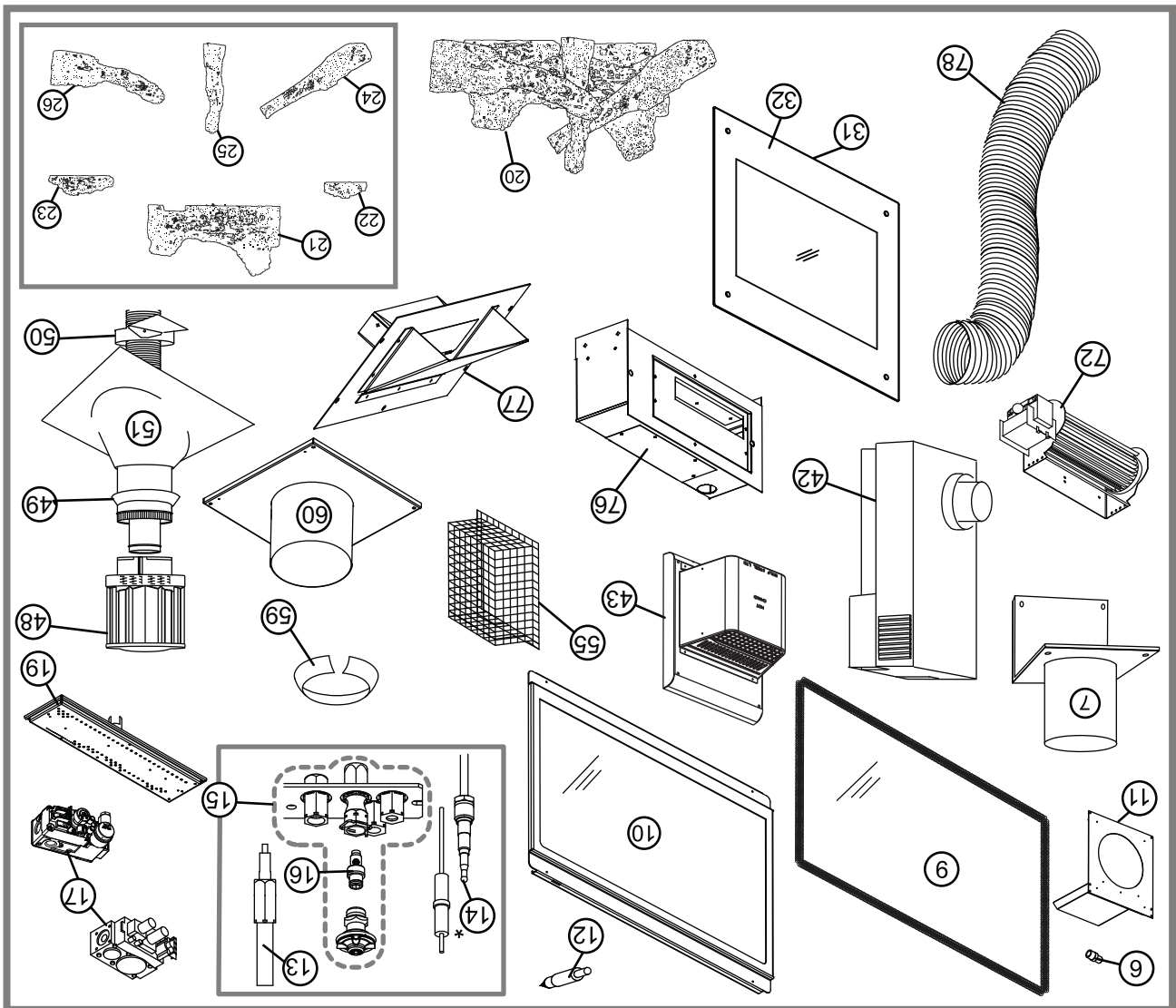
COUPEZ L'ALIMENTATION ÉLECTRIQUE AVANT DE PROCÉDER À L'ENTRETIEN DE L'APPAREIL.

L'APPAREIL PEUT ÊTRE CHAUD. N'EFFECTUEZ AUCUN ENTRETIEN JUSQU'À CE QUE L'APPAREIL SOIT REFRLOI.

N'UTILISEZ PAS DE NETTOYANTS ABRASIFS.

SYMPTÔME	PROBLÈME	SOLUTIONS
----------	----------	-----------

<p>Le brûleur principal s'éteint; la veilleuse reste allumée.</p>	<p>La flamme de la veilleuse n'est pas assez puissante ou n'enveloppe pas la thermopile.</p>	<p>Augmentez la flamme de la veilleuse.</p> <p>Remplacez l'assemblage de la veilleuse.</p>
<p>Le brûleur principal s'éteint; la veilleuse s'éteint.</p>	<p>La flamme de la veilleuse n'est pas assez puissante.</p> <p>La flamme de la veilleuse n'enveloppe pas le thermocouple.</p> <p>Le système n'est pas purgé correctement.</p> <p>Plus de propane.</p> <p>La flamme de la veilleuse n'est pas assez puissante.</p> <p>Tournez légèrement la tête de la veilleuse pour améliorer la flamme autour du thermocouple.</p>	<p>Remplissez le réservoir.</p> <p>Augmentez la flamme de la veilleuse.</p>
<p>Le brûleur principal s'éteint; la veilleuse s'éteint.</p>	<p>Le système n'est pas purgé correctement.</p> <p>La gaine flexible n'est plus branchée à l'appareil.</p> <p>L'évacuation recircule.</p>	<p>Purgez la conduite de gaz.</p> <p>Rebranchez à l'appareil.</p> <p>Vérifiez l'étanchéité des joints et leur installation.</p>
<p>Le brûleur principal s'éteint; la veilleuse s'éteint.</p>	<p>Le thermostat ou l'interrupteur est défectueux.</p> <p>Le fil de l'interrupteur mural est trop long; trop de résistance dans le système.</p> <p>La thermopile cause un court-circuit.</p> <p>La thermopile cause un court-circuit.</p>	<p>Remplacez.</p> <p>Raccourcissez la longueur du fil ou changez le calibre du fil.</p> <p>Nettoyez la connexion de la thermopile à la borne de la soupape et reconnectez.</p> <p>Remplacez la thermopile ou la soupape.</p>
<p>Le brûleur principal s'éteint; la veilleuse s'éteint.</p>	<p>Le thermostat ou l'interrupteur sont défectueux.</p> <p>Le thermocouple cause un court-circuit/est défectueux.</p> <p>Le thermocouple est desserré et resserrer le thermocouple.</p> <p>Nettoyez le thermocouple et la connexion à la borne de la soupape.</p> <p>Remplacez le thermocouple.</p>	<p>Remplacez la soupape.</p> <p>Remplacez le thermocouple.</p> <p>Remplacez la soupape.</p>
<p>La veilleuse s'éteint; le bouton principal; le bouton du gaz est à « HI »; l'interrupteur mural/thermostat est à « ON ».</p>	<p>Le raccordement de l'interrupteur est défectueux.</p> <p>Le thermostat ou l'interrupteur sont défectueux.</p> <p>Le thermostat ou l'interrupteur sont défectueux.</p> <p>Le thermostat ou l'interrupteur sont défectueux.</p> <p>Le thermostat ou l'interrupteur sont défectueux.</p>	<p>Remplacez la soupape.</p> <p>Remplacez la soupape.</p> <p>Remplacez la soupape.</p> <p>Remplacez la soupape.</p> <p>Remplacez la soupape.</p>
<p>La veilleuse s'éteint; le bouton principal; le bouton du gaz est à « HI »; l'interrupteur mural/thermostat est à « ON ».</p>	<p>L'injecteur du brûleur principal est bloqué.</p> <p>La soupape est défectueuse.</p> <p>La soupape est défectueuse.</p>	<p>Débloquez l'injecteur.</p> <p>Remplacez la soupape.</p>
<p>La veilleuse s'éteint; le bouton principal; le bouton du gaz est à « HI »; l'interrupteur mural/thermostat est à « OFF ».</p>	<p>La conduite de gaz est trop petite.</p> <p>Le système d'évacuation bloqué.</p>	<p>Allumez tous les appareils au gaz et vérifiez si la flamme de la veilleuse vacille, diminue ou s'éteint, surtout quand le brûleur principal s'allume. Vérifiez la pression d'alimentation.</p> <p>Vérifiez si la grosseur de la conduite d'alimentation est conforme aux codes. Remplacez toutes les conduites trop petites.</p>
<p>La flamme du brûleur principal est bleue, perçue et transparente.</p>	<p>Enlevez ce qui obstrue. Dans des conditions de froid extrême, une accumulation de glace peut se former sur la terminaison et devrait être enlevée lorsque nécessaire. Pour minimiser les chances que cela survienne de nouveau, il est recommandé que les événements passent à travers des espaces non chauffés (greniers, garages, espaces réduits) soient recouverts d'un manchon isolant en mylar. Assurez-vous que le manchon ne puisse pas s'affaisser. Pour plus de renseignements, contactez votre détaillant local autorisé.</p>	<p>Assurez-vous que le manchon ne puisse pas s'affaisser. Pour plus de renseignements, contactez votre détaillant local autorisé.</p>



N° RÉF.	BGD36CF	BGD36CFG	GD36M	DESCRIPTION
52*	W175-0001	W175-0001	W175-0001	BAGUE D'ACCOUPLLEMENT DE 4"
53*	W175-0013	W175-0013	W175-0013	BAGUE D'ACCOUPLLEMENT DE 7"
54*	W500-0103	W500-0103	W500-0103	EXTENSION DE TERMINAISON
55	GD-301	GD-301	GD-301	PROTECTEUR DE CHALEUR GRILLAGÉ POUR TERMINAISON MURALE
56*	W010-0370	W010-0370	W010-0370	ENSEMBLE DE SUPPORT MURAL
57*	W175-0053	W175-0053	W175-0053	ADAPTATEUR DURA-VENT POUR DÉGAGEMENT ZÉRO
58*	VS47KT	VS47KT	VS47KT	MANCHON DE CONDUIT
59	W170-0063	W170-0063	W170-0063	COLLET DE CONDUIT D'ÉVACUATION
60	W585-0072	W585-0072	W585-0072	PROTECTEUR DE CONDUIT D'ÉVACUATION
61*	W175-0159	W175-0278	W175-0278	ENSEMBLE DE CONVERSION - GN À PL
61*	W175-0164	W175-0279	W175-0279	ENSEMBLE DE CONVERSION - PL À GN
62*	GD831KT	N/D	N/D	PANNEAUX SIMILIBRIQUES - PIERRE DE SABLE
63*	GD-565-1KT	GD-565-1KT	N/D	GRILLAGE DE SÉCURITÉ
64*	S36WN	S36WN	N/D	CONTOUR VAGUÉ - BRUN
64*	S36WP	S36WP	N/D	CONTOUR VAGUÉ - ÉTAİN
65*	S36CCN	S36CCN	N/D	CONTOUR CONCAVE - BRUN
65*	S36CCP	S36CCP	N/D	CONTOUR CONCAVE - ÉTAİN
66*	S36CVN	S36CVN	N/D	CONTOUR CONVEXE - BRUN
66*	S36CVP	S36CVP	N/D	CONTOUR CONVEXE - ÉTAİN
67*	CFT36W	CFT36W	N/D	MOULURE SUPÉRIEURE POUR LE CONTOUR VAGUÉ
67*	CFT36CC	CFT36CC	N/D	MOULURE SUPÉRIEURE POUR LE CONTOUR CONCAVE
67*	CFT36CV	CFT36CV	N/D	MOULURE SUPÉRIEURE POUR LE CONTOUR CONVEXE
68*	W690-0001	W690-0001	W690-0001	THERMOSTAT MILLIVOLT
69*	W690-0010B	W690-0010B	W690-0010B	TÉLÉCOMMANDE À BATTERIE - AVANTAGE
70*	W690-0011B	W690-0011B	W690-0011B	TÉLÉCOMMANDE À BATTERIE - AVANTAGE PLUS
71*	GZ550-1KT	GZ550-1KT	GZ550-1KT	ENSEMBLE DE SOUFFLERIE
72	B440-KT	B440-KT	B440-KT	SOUFFLERIE
73*	W500-0033	W500-0033	W500-0033	PLAQUE MURALE DE L'INTERRUPTEUR À VITESSE VARIABLE
74*	W690-0005	W690-0005	W690-0005	THERMOSTAT, 110 VOLT POUR GA-566
75*	W660-0026	W660-0026	W660-0026	MINUTERIE PROGRAMMABLE
76	GA-566	GA-566	GA-566	ENSEMBLE DE DISTRIBUTION D'AIR CHAUD
77	GA-72	GA-72	GA-72	ENSEMBLE D'ÉVACUATION D'AIR CHAUD
78	GA-70	GA-70	GA-70	ENSEMBLE DE RALLONGE - 5 PI
79*	ANI-K	ANI-K	ANI-K	BORNES DE CHENET - NOIR
80*	ANI-G	ANI-G	ANI-G	BORNES DE CHENET - PLAQUÉ OR
81*	270	270	270	PEINTURE, NOIRE - 13 OZ
82*	W573-0007	W573-0007	W573-0007	SCÉLANT À HAUTE TEMPÉRATURE - TUBE 10,3 OZ

ACCESSOIRES

COMPOSANTS				
N° RÉF.	BGD36CF	BGD36CFG	GD36M	DESCRIPTION
27*	N/D	W300-0102	W300-0135	BRAISES VITRIFIÉES
28*	N/D	W010-1835	W010-1835	PLATEAU À BRAISES VITRIFIÉES
29*	N/D	W387-0011	W387-0012	ENSEMBLE DE LUMIÈRES À HAUTE TEMPÉRATURE
30*	N/D	W387-0009 (5W)	W387-0013 (10W)	AMPOULE HALOGENE
31	N/D	N/D	W010-2370	FAÇADE VITRÉE AFFLEURANTE
32	N/D	N/D	W300-0130	FAÇADE VITRÉE STYLO
33*	N/D	W190-0015	W190-0015	MODULE DE CONTRÔLE
34*	N/D	W190-0021	W190-0021	RELAIS DE CONTRÔLE
35*	N/D	W707-0002	W707-0002	TRANSFORMATEUR, SOUPAPE
36*	N/D	W707-0011	W707-0011	TRANSFORMATEUR, LUMIÈRES
ENSEMBLES D'ÉVÉNEMENTS FLEXIBLES				
N° RÉF.	BGD36CF	BGD36CFG	GD36M	DESCRIPTION
GD220 (6 PI)				
37*	W010-0397	W010-0397	W010-0397	GAINÉ FLEXIBLE DE 4"(6 PI) AVEC ESPACEURS
38*	W410-0017	W410-0017	W410-0017	GAINÉ FLEXIBLE DE 7"(5 PI)
GD330 (10 PI)				
39*	W410-0018	W410-0018	W410-0018	GAINÉ FLEXIBLE DE 7"(10 PI)
40*	W010-0300	W010-0300	W010-0300	GAINÉ FLEXIBLE DE 4"(10 PI) AVEC ESPACEURS
41*	W010-0370	W010-0370	W010-0370	ENSEMBLE DE SUPPORT MURAL
ENSEMBLES DE TERMINAISON				
N° RÉF.	BGD36CF	BGD36CFG	GD36M	DESCRIPTION
42	GD201	GD201	GD201	PÉRISCOPE
43	GD222	GD222	GD222	ENSEMBLE DE TERMINAISON MURALE
ENSEMBLES DE TERMINAISON POUR TOIT				
N° RÉF.	BGD36CF	BGD36CFG	GD36M	DESCRIPTION
44*	GD110	GD110	GD110	PENTE DE 1/12 À 7/12
45*	GD111	GD111	GD111	PENTE DE 8/12 TO 12/12
46*	GD112	GD112	GD112	TOIT PLAT
47*	W490-0073	W490-0073	W490-0073	MANCHON INTÉRIEUR/EXTÉRIEUR 4/7
48	W670-0006	W670-0006	W670-0006	TERMINAISON 4/7
49	W170-0063	W170-0063	W170-0063	COLET DE SOLIN
50	W010-0453	W010-0453	W010-0453	SUPPORT DE TOIT
51	W263-0054	W263-0054	W263-0054	SOLIN DE TOIT
	W263-0055	W263-0055	W263-0055	
	W263-0056	W263-0056	W263-0056	

15.0 RECHANGES

! AVERTISSEMENT

OMETTRE DE POSITIONNER LES PIÈCES CONFORMÈMENT À CE MANUEL OU D'UTILISER UNIQUEMENT DES PIÈCES SPÉCIFIQUEMENT APPROUVÉES POUR CET APPAREIL PEUT CAUSER DES DOMMAGES MATÉRIELS OU DES BLESSURES CORPORELLES.

**** CE EST UN THERMOCOUPLE À ACTION RAPIDE QUI CONSTITUE UN COMPOSANT ESSENTIEL DE SÉCURITÉ. REMPLACEZ UNIQUEMENT PAR UN THERMOCOUPLE À ACTION RAPIDE DE WOLF STEEL LTÉE.**

Contactez votre détaillant pour les questions concernant les prix et la disponibilité des pièces de rechange. Normalement, toutes les pièces peuvent être commandées chez votre détaillant autorisé.

POUR UN REMPLACEMENT DE PIÈCE SOUS GARANTIE, UNE PHOTOCOPIE DE LA FACTURE ORIGINALE SERA REQUISE AFIN DE POUVOIR HONORER LA DEMANDE.

Lorsque vous commandez des pièces, donnez toujours l'information suivante :

- Modèle et numéro de série de l'appareil
- Date d'installation de l'appareil

- Numéro de la pièce
- Description de la pièce

- Fin!

* IDENTIFIÉ LES ARTICLES QUI NE SONT PAS ILLUSTRÉS. POUR PLUS D'INFORMATION, CONTACTEZ VOTRE DÉTAILLANT AUTORISÉ.

41.2

COMPOSANTS

N° REF.	BGD36CF	BGD36CFG	GD36M	DESCRIPTION
1*	W385-0334	W385-0334	W385-0334	LOGO NAPOLÉON®
2*	W750-0112	W750-0193	W750-0193	20 PIEDS DE CÂBLE (INTERRUPTEUR DE BRÛLEUR)
2*	N/D	W750-0194	W750-0194	20 PIEDS DE CÂBLE (INTERRUPTEUR DE LUMIÈRE)
3*	W361-0016	N/D	N/D	BRAISES INCANDESCENTES
4*	W550-0001	N/D	N/D	BRAISES DE CHARBON DE BOIS
5*	W010-1340	W010-1340	W010-1340	CADRE DE PORTE - NOIR
6	W456-0048	W456-0048	W456-0048	INJECTEUR DE BRÛLEUR - GN #48
6	W456-0056	W456-0056	W456-0056	INJECTEUR DE BRÛLEUR - PL #56
7	W010-0539	W010-0539	W010-0539	BUSE D'ÉVACUATION AMOVIBLE AVEC JOINT D'ÉTANCHÉITÉ
8	W010-0538	W010-0538	W010-0538	COUVERCLE D'ÉVACUATION AVEC JOINT D'ÉTANCHÉITÉ
9	W010-0454	W010-0454	W010-0454	VITRE AVEC JOINT D'ÉTANCHÉITÉ
10	W010-0516	W010-0516	W010-0516	PORTE NOIRE AVEC VITRE ET JOINT D'ÉTANCHÉITÉ
11	W010-1777	W010-1777	W010-1777	ESPACEUR COUPE-FEU
12	W357-0001	N/D	N/D	ALLUMEUR PIÉZO
13	W680-0004	N/D	N/D	THERMOPILE
14	W680-0005	N/D	N/D	THERMOCOUPLE **
15	W010-0800	N/D	N/D	ASSEMBLAGE DE VEILLEUSE - PL
15	W010-0801	W010-1684	W010-1684	ASSEMBLAGE DE VEILLEUSE - GN
16	W455-0069	W455-0091	W455-0091	INJECTEUR DE VEILLEUSE - GN
16	W455-0067	W455-0092	W455-0092	INJECTEUR DE VEILLEUSE - PL
17	W725-0025	W725-0032	W725-0032	SOUPAPE - GAZ NATUREL
17	W725-0026	W725-0049	W725-0049	SOUPAPE - GAZ PROPANE
18*	W361-0014	N/D	N/D	VERMICULITE
19	W010-0764	W100-0102	W100-0102	BRÛLEUR PRINCIPAL
20	GL-667	N/D	N/D	ENSEMBLE DE BÛCHES
21	W135-0378	N/D	N/D	BÛCHE ARRIÈRE (#1)
22	W135-0381	N/D	N/D	BÛCHE CENTRALE GAUCHE (#2)
23	W135-0382	N/D	N/D	BÛCHE CENTRALE DROITE (#3)
24	W135-0380	N/D	N/D	BÛCHE TRANSVERSALE GAUCHE (#4)
25	W135-0383	N/D	N/D	BANDE DE CHARBON DE BOIS
26	W135-0379	N/D	N/D	BÛCHE TRANSVERSALE DROITE (#6)

14.3 REMPLACEMENT DE LA VITRE DE PORTE

AVERTISSEMENT
N'UTILISEZ PAS DE MATÉRIAUX DE SUBSTITUTION.
LA VITRE PEUT ÊTRE CHAUDE, NE TOUCHEZ PAS LA VITRE JUSQU'À CE QU'ELLE AIT REFROIDI.
USEZ DE PRUDENCE LORSQUE VOUS ENLEVEZ ET JETEZ DES DÉBRIS DE VERRE OU DES COMPOSANTS ENDOMMAGÉS. ASSUREZ-VOUS D'ASPIRER TOUTS LES DÉBRIS DE VERRE À L'INTÉRIEUR DE L'APPAREIL AVANT DE LE FAIRE FONCTIONNER.
NE FRAPPEZ PAS, NE CLAUQUEZ PAS ET N'ÉGRATIGNEZ PAS LA PORTE VITRÉE. NE FAITES PAS FONCTIONNER L'APPAREIL LORSQUE LA PORTE VITRÉE EST ENLEVÉE, FISSURÉE, BRISÉE OU ÉGRATIGNÉE.

A. Placez le cadre de la porte avec la devanture vers le bas en prenant soin de ne pas égratigner la peinture.

B. Centrez la vitre avec joint d'étanchéité dans le cadre avec le côté épais du joint d'étanchéité orienté vers le haut.

C. Pliez les pattes de retenue situées sur le cadre par-dessus le joint d'étanchéité pour retenir la vitre en place. Faites attention à ne pas casser la vitre.

56.1A

CADRE DE PORTE
PATTE DE RETENUE
VITRE
JOINT D'ÉTANCHÉITÉ

14.4 SOINS DE LA VITRE

NE PAS NETTOYER LA VITRE LORSQU'ELLE EST CHAUDE! N'EMPLOYEZ PAS DE DÉTERGENTS ABRASIFS POUR NETTOYER LA VITRE.

Polissez légèrement à l'aide d'un linge propre et sec. Nettoyez les deux côtés de la vitre avec un nettoyeur recommandé après les dix premières heures de fonctionnement. Par la suite, nettoyez aussi souvent qu'il le faudra, sinon la vitre risque de rester marquée en permanence.

AVERTISSEMENT

LA VITRE CHAUDE CAUSERA DES BRÛLURES.
NE PAS TOUCHER LA VITRE AVANT QU'ELLE AIT REFROIDI.
NE JAMAIS LAISSER LES ENFANTS TOUCHER LA VITRE.

14.5 SOINS DES PIÈCES PLAQUÉES

Si l'appareil est muni de pièces plaquées, vous devez enlever toutes traces de doigts ou autres marques des surfaces plaquées avant d'allumer l'appareil pour la première fois. Utilisez un nettoyeur à vitres ou du vinaigre et un linge pour nettoyer. Si la surface plaquée n'est pas bien nettoyée avant le premier allumage de l'appareil, elle risque de rester marquée en permanence. Une fois que la surface plaquée aura chauffé, les traces de doigts et le gras n'affecteront plus la surface et très peu d'entretien sera requis; vous n'aurez qu'à l'essuyer au besoin. Une combustion prolongée à haute température avec la porte ouverte peut causer une décoloration des pièces plaquées.

NOTE: L'emballage de protection sur les pièces plaquées s'enlève mieux lorsque l'assemblage est à température ambiante ou lorsqu'il est chauffé avec un séchoir à cheveux ou une autre source de chaleur similaire.

6.1

Lors du remplacement du brûleur, il ne doit pas y avoir de braises vitrifiées dans l'espace entourant l'injecteur. **CONSEIL :** Si des braises vitrifiées tombent dans le plateau entourant l'injecteur, mettez un nouveau sac dans l'aspirateur et aspirez les braises. Des braises vitrifiées de rechange peuvent être commandées auprès de votre détaillant Wolf Steel liée.

NOTE : Avant de retirer le plateau de braises vitrifiées, assurez-vous que les braises soient éloignées du centre du grillage, dégagant ainsi le brûleur, puis retirez le plateau en le soulevant.

- A. Enlevez les braises vitrifiées et le plateau à braises
- B. Enlevez la base du brûleur de la chambre de combustion.
- C. Comprimez les ailettes de retenue et retirez l'ensemble de lentilles.
- D. Débranchez les fils.
- E. Remplacez l'ensemble de lentilles en l'alignant sur la fente et en l'enclenchant.
- F. Réinstallez la base du brûleur en assurant la bonne étanchéité de la chambre de combustion.
- G. Réinstallez le plateau à braises et les braises vitrifiées.



AVERTISSEMENT

LE DEVANT DE L'APPAREIL DEVIENT TRÈS CHAUD LORS DU FONCTIONNEMENT. LAISSEZ L'APPAREIL SE REFFROIDIR COMPLÈTEMENT AVANT D'EFFECTUER L'ENTRETIEN.

14.2 REMPLACEMENT DE L'ENSEMBLE DE LENTILLES BGD36CFG / GD36M

- A. Coupez l'alimentation électrique.
- B. Enlevez les braises vitrifiées et le plateau à braises de la chambre de combustion.
- C. Dévissez le couvercle de la lentille en vous assurant que le joint d'étanchéité demeure en place.
- D. L'ampoule s'enlève en la tirant hors de la douille. Remplacez par des pièces Wolf Steel Ltd, uniquement (W387-0009), car l'ampoule et la lentille sont des produits spécialement conçus pour les hautes températures.
- E. Remplacez le couvercle de la lentille.
- F. Remplacez les braises vitrifiées et le plateau à braises.

NOTE : Ne manipulez pas l'ampoule avec vos doigts; protégez-la avec un linge propre et sec.

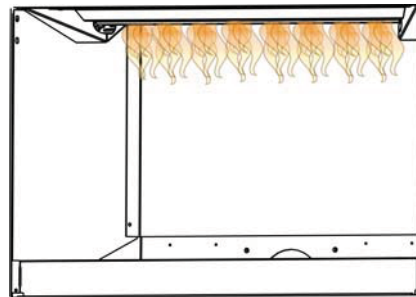


14.1 REMPLACEMENT DE L'AMPOULE BGD36CFG / GD36M

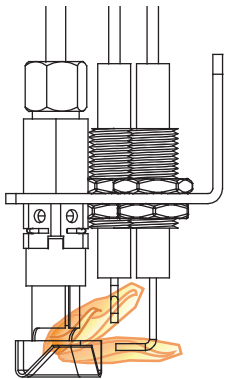
Cet appareil est équipé d'une lumière de veille. Si vous devez remplacer l'ampoule ou la lentille, suivez les instructions suivantes.

13.4 CARACTÉRISTIQUES DE LA FLAMME DU BGD36CFG / GD36M

Il est important d'effectuer périodiquement une inspection visuelle de la flamme de la veilleuse et du brûleur. Comparez-les à ces illustrations.



LA FLAMME
DOIT ENVELOP-
PER LA PARTIE
SUPÉRIEURE DU
THERMOCOUPLE ET
DE LA THERMOPILE
DE 3/8" A 1/2"



54.4

14.0

ENTRETIEN

AVERTISSEMENT

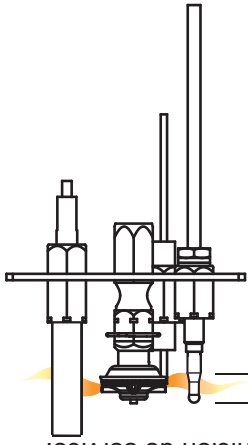
COUPEZ L'ALIMENTATION EN GAZ ET L'ALIMENTATION ÉLECTRIQUE AVANT DE PROCÉDER À L'ENTRETIEN DE L'APPAREIL.

L'APPAREIL PEUT ÊTRE CHAUD. ATTENDEZ QU'IL SOIT REFRIGÉRI AVANT D'EN FAIRE L'ENTRETIEN.

N'UTILISEZ PAS DE PRODUITS ABRASIFS.

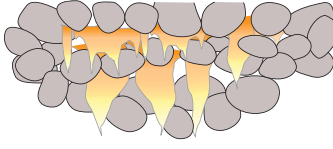
- ATTENTION :** Lors de l'entretien des contrôles, assurez-vous d'identifier chacun des fils avant de les débrancher. Une réinstallation incorrecte des fils peut occasionner un mauvais fonctionnement et être dangereuse. Assurez-vous que l'appareil fonctionne adéquatement une fois l'entretien terminé. Cet appareil et son système d'évacuation devraient être inspectés avant la première utilisation et au moins une fois l'an par un technicien de service qualifié. L'espace entourant l'appareil doit être gardé propre et libre de matériaux combustibles, d'essence ou autres liquides et vapeurs inflammables. Les apports d'air comburant et d'air de convection ne doivent pas être obstrués.
1. Pour nettoyer le brûleur principal et la veilleuse adéquatement, il faut retirer les bûches, les roches ou la vitre afin de dégager les deux ensembles.
 2. Gardez le compartiment des contrôles, les composants décoratifs, le brûleur, le volet d'air et l'espace entourant les bûches propres en brossant ou en passant l'aspirateur au moins une fois l'an.
 3. Assurez-vous que tous les orifices des brûleurs produisent des flammes. Nettoyez tous les orifices qui n'ont pas de flamme ou dont la flamme ne brûle pas adéquatement.
 4. Assurez-vous que la flamme de la veilleuse est assez puissante pour envelopper la sonde de flamme et/ou le thermocouple/thermopile et qu'elle atteigne le brûleur.
 5. Remettez en place les bûches, les roches ou la vitre nettoyées. Omettre de positionner les composants décoratifs adéquatement peut causer des dépôts de carbone qui peuvent se déposer dans des endroits de séjour avoisinants.
 6. Vérifiez si le brûleur principal allume sur tous les orifices lorsque le bouton de contrôle du gaz est à « ON ». Un temps d'allumage total de 5 à 10 secondes est satisfaisant. Si l'allumage prend plus de temps, consultez votre détaillant autorisé.
 7. Vérifiez si les joints d'étanchéité sur les côtés, le haut et le bas de la porte ne sont pas brisés ou manquants. Remplacez si nécessaire.
 8. Si pour une raison quelconque le système d'évents de prise d'air est démonté, réinstallez et rescellez-le selon les instructions fournies dans l'installation initiale.

40.1



LA FLAMME DOIT ENVELOPPER LA PARTIE SUPÉRIEURE DU THERMOCOUPLE ET DE LA THERMOPILE DE 3/8" À 1/2"

54.2



Il est important d'effectuer périodiquement une inspection visuelle de la flamme de la veilleuse et du brûleur. Comparez-les à ces illustrations. Si des flammes paraissent anormales, contactez un technicien de service.

13.3 CARACTÉRISTIQUES DE LA FLAMME DU BGD36CF

détaillant Wolf Steel Itée.

CONSEIL : Si des braises vitrifiées tombent dans le plateau entourant l'injecteur, mettez un nouveau sac dans l'aspirateur et aspirez les braises. Des braises vitrifiées de recharge peuvent être commandées auprès de votre

NOTE : Avant de retirer le plateau à braises vitrifiées, assurez-vous que les braises sont éloignées du centre du grillage, dégageant ainsi le brûleur, puis retirez le plateau en le soulevant.

Lors du remplacement du brûleur, il ne doit pas y avoir de braises vitrifiées dans l'espace entourant l'injecteur. Une autre façon d'accéder au volet d'air pour le régler est de retirer les braises vitrifiées, le plateau à braises, et le brûleur de l'appareil.

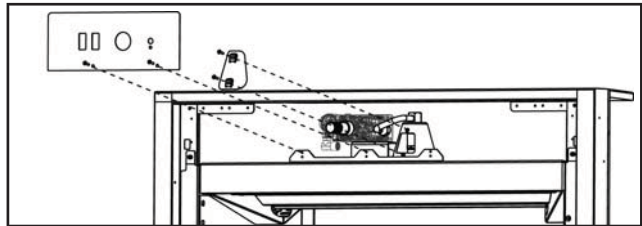
LE RÉGLAGE DU VOLLET D'AIR DOIT ÊTRE EXÉCUTÉ PAR UN TECHNICIEN OU UN INSTALLATEUR QUALIFIÉ!

30 minutes pour que la couleur finale de la flamme se stabilise.

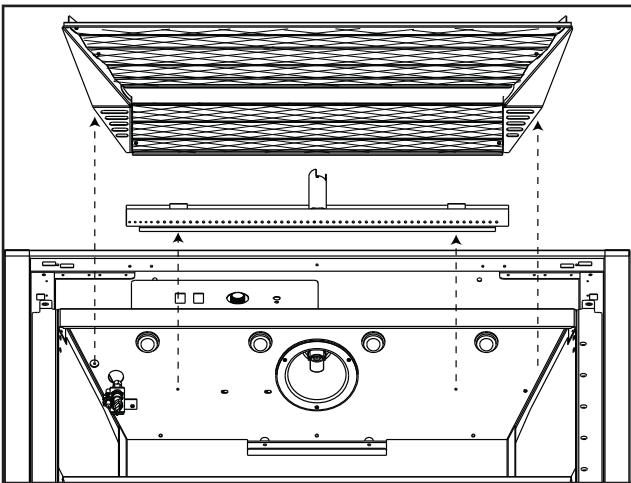
Plus le volet est fermé, plus la flamme est jaune et aura tendance à causer des dépôts de carbone. Plus le volet est ouvert, plus la flamme est bleue et plus elle a tendance à se détacher des orifices du brûleur. La flamme peut ne pas être jaune immédiatement; allouez de 15 à 30 minutes pour que la couleur finale de la flamme se stabilise.

le tableau ci-dessous :

L'ouverture du volet d'air a été pré réglée en usine selon



BGD36CFG / GD36M	GN	0
	PL	1/4"



LE DEVANT DE L'APPAREIL DEVIENT TRÈS CHAUD LORS DU FONCTIONNEMENT. LAISSEZ L'APPAREIL SE REFROIDIR COMPLÈTEMENT AVANT D'EFFECTUER L'ENTRETIEN.

DES DÉPÔTS DE CARBONE PEUVENT SE DÉPOSER DANS DES ENDROITS DE SÉJOUR AVOISINANTS SI LE VOLLET D'AIR N'EST PAS BIEN RÉGLÉ.

AVERTISSEMENT

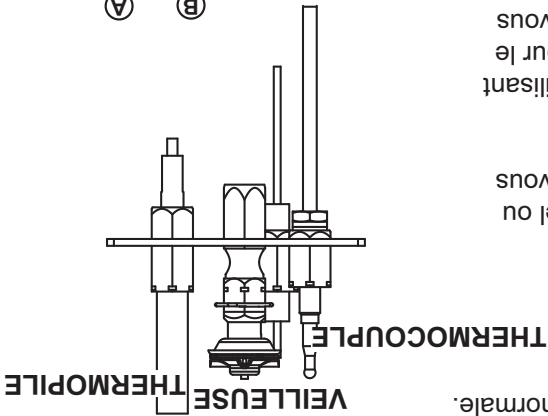
RÉGLAGE DU VENTURI DU BGD36CFG / GD36M

13.2.2

13.0 RÉGLAGES

13.1 RÉGLAGE DE LA VEILLEUSE

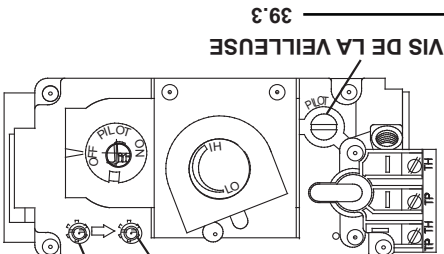
Ajustez la vis de la veilleuse pour obtenir une flamme de taille normale. Tournez vers la droite pour réduire l'apport de gaz.



Pour vérifier la pression d'arrivée, tournez la vis (A) vers la gauche jusqu'à ce qu'elle soit desserrée, puis embotez le tube du manomètre sur la pointe d'essai. Le manomètre doit indiquer 7" (minimum 4,5") de colonne d'eau pour le gaz naturel ou 13" (minimum 11") de colonne d'eau pour le propane. Assurez-vous que le brûleur principal fonctionne à « HI ».

La pression de sortie peut être vérifiée de la même façon en utilisant la vis (B). Le manomètre doit indiquer 3,5" de colonne d'eau pour le gaz naturel ou 10" de colonne d'eau pour le propane. Assurez-vous que le brûleur principal fonctionne à « HI ».

APRÈS AVOIR PRIS LA LECTURE DES PRESSIONS, SERREZ BIEN LES VIS POUR SCÉLER. NE SERREZ PAS TROP FORT. VÉRIFIEZ POUR DES FUITES.



13.2 RÉGLAGE DU VENTURI

13.2.1 RÉGLAGE DU VENTURI DU BGD36CF

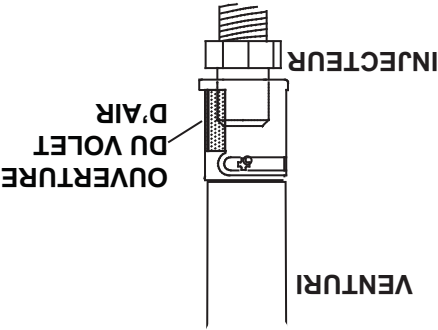
AVERTISSEMENT
DES DÉPÔTS DE CARBONE PEUVENT SE DÉPOSER DANS DES ENDRITS DE SÉJOUR AVOISINANTS SI LE VOLET D'AIR N'EST PAS BIEN RÉGLÉ.

L'AVANT DE L'APPAREIL DEVIENT TRÈS CHAUD LORS DU FONCTIONNEMENT. LAISSEZ L'APPAREIL SE REFROIDIR COMPLÈTEMENT AVANT D'EFFECTUER L'ENTRETIEN.

L'ouverture du volet d'air a été pré réglée en usine selon le tableau ci-dessous :

Indépendamment de l'orientation du venturi, plus le volet est fermé, plus la flamme est jaune et aura tendance à causer des dépôts de carbone. Plus le volet est ouvert, plus la flamme est bleue et plus elle a tendance à se détacher des orifices du brûleur. La flamme peut ne pas être jaune immédiatement; allouez de 15 à 30 minutes pour que la couleur finale de la flamme se stabilise.

LE RÉGLAGE DU VOLET D'AIR DOIT ÊTRE EXÉCUTÉ PAR UN TECHNICIEN OU INSTALLATEUR QUALIFIÉ!



49.1



BGD36CF	1/16"	PL	1/4"
GN	1/16"		
PL	1/4"		

Pour accéder au volet d'air, retirez le panneau d'accès, enlevez les deux vis qui retiennent le couvercle et réglez l'ouverture du volet d'air.

AVERTISSEMENT

SI CES INSTRUCTIONS NE SONT PAS SUIVIES À LA LETTRE, UN INCENDIE OU UNE EXPLOSION POURRAIT S'ENSUIVRE, CAUSANT DES DOMMAGES MATÉRIELS, DES BLESSURES CORPORELLES OU DES PERTES DE VIE.

ALLUMEZ TOUJOURS LA VEILLEUSE, QUE CE SOIT POUR LA PORTE VITRÉE OUVERTE OU RETIRÉE. L'APPROVISIONNEMENT EN GAZ EST ÉPUISE, AVEC LA PORTE VITRÉE OUVERTE OU RETIRÉE.

Assurez-vous que l'arrivée de gaz au brûleur est continue avant d'installer la porte. Lorsqu'il est allumé pour la première fois, l'appareil dégagera une légère odeur pendant quelques heures. Cela est une condition normale temporaire causée par le conditionnement des bûches et l'évaporation des peintures et lubrifiants internes utilisés dans le processus de fabrication; elle ne se reproduira plus. Après de longues périodes sans utiliser l'appareil, comme à la suite de vacances ou à la fin de l'été, il se peut qu'une légère odeur se dégage pendant quelques heures. Ceci est causé par des particules de poussière brûlant dans l'échangeur de chaleur. Dans les deux cas, ouvrez une fenêtre pour aérer la pièce.

POUR VOTRE SÉCURITÉ, LISEZ CE QUI SUIVIT AVANT D'ALLUMER L'APPAREIL :

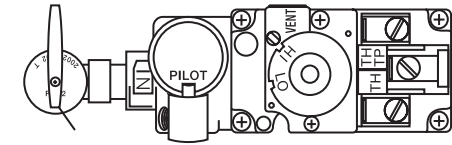
- A. Cet appareil est équipé d'un dispositif d'allumage qui allume automatiquement la veilleuse. N'essayez pas de l'allumer manuellement.
- B. Avant d'allumer, sentez autour de l'appareil et près du plancher afin de vous assurer qu'il n'y a pas de fuite de gaz. Certains gaz sont plus lourds que l'air et se déposeront au niveau du plancher.
- C. N'utilisez que votre main pour tourner le bouton de contrôle du gaz. N'utilisez jamais d'outils. Si le bouton ne tourne pas manuellement, n'essayez pas de le réparer. Contactez un technicien de service qualifié. Forcer le bouton ou tenter de réparer le mécanisme pourrait causer un feu ou une explosion.
- D. N'utilisez pas cet appareil si une partie quelconque a été submergée. Appelez un technicien qualifié immédiatement pour inspecter l'appareil et pour remplacer toute pièce du système de contrôle et du contrôle du gaz qui aurait été submergée.

QUE FAIRE SI VOUS DÉTECTEZ UNE ODEUR DE GAZ :

- Coupez l'alimentation en gaz à l'appareil.
- Ouvrez les fenêtres.
- N'allumez aucun appareil.
- Ne touchez à aucun interrupteur électrique;
- n'utilisez aucun téléphone dans votre immeuble.
- De la maison d'un voisin, appelez immédiatement votre fournisseur de gaz et suivez ses instructions.
- Si vous ne pouvez pas joindre votre fournisseur de gaz, appelez le service des incendies.

INSTRUCTIONS D'ALLUMAGE :

1. ARRÊTEZ! Lisez les consignes de sécurité sur l'étiquette de fonctionnement.
2. Mettez l'interrupteur mural à la position « OFF ».
3. Coupez l'alimentation électrique à l'appareil et enlevez les piles.
4. Cet appareil est équipé d'un dispositif d'allumage qui allume automatiquement la veilleuse.



Soupape d'arrêt manuelle illustrée en position « OFF ».

5. Ouvrez la porte vitrée.
6. Attendez 5 minutes pour que le gaz puisse s'échapper. Si vous détectez une odeur de gaz, incluant au niveau du plancher, ARRÊTEZ! Suivez la section « B » sur l'étiquette de fonctionnement. Continuez à l'étape suivante si vous ne sentez pas de gaz.
7. Fermez la porte vitrée.
8. Tournez le bouton de contrôle du gaz vers la gauche à « ON ».
9. Rétablissez l'alimentation électrique à l'appareil, et réinstallez les piles.
10. Remettez l'interrupteur mural à la position « ON ».
11. Si l'appareil ne fonctionne pas, suivez les INSTRUCTIONS POUR COUPER LE GAZ, ou votre fournisseur de gaz.

INSTRUCTIONS POUR COUPER LE GAZ :

1. Mettez l'interrupteur mural de l'appareil à la position « OFF ».
2. Coupez l'alimentation électrique à l'appareil si un travail d'entretien doit se faire.
3. Tournez la soupape d'arrêt manuelle vers la droite à « OFF ». Ne forcez pas.

12.0 FONCTIONNEMENT

12.1 BGD36CF

AVERTISSEMENT

SI CES INSTRUCTIONS NE SONT PAS SUIVIES À LA LETTRE, UN INCENDIE OU UNE EXPLOSION POUR-RAIENT S'ENSUIVRE, CAUSANT DES DOMMAGES MATÉRIELS, DES BLESSURES CORPORELLES OU DES PERTES DE VIE.

ALLUMEZ TOUJOURS LA VEILLEUSE, QUE CE SOIT POUR LA PREMIÈRE FOIS OU LORSQUE L'APPROVISIONNEMENT EN GAZ EST ÉPUISÉ, AVEC LA PORTE VITRÉE OUVERTE OU RETIRÉE.

Assurez-vous que l'arrivée de gaz au brûleur est continue avant de réinstaller la porte. Lorsqu'il est allumé pour la première fois, l'appareil dégagera une légère odeur pendant quelques heures. Cela est une condition normale temporaire causée par le conditionnement des bûches et l'évaporation des peintures et lubrifiants internes utilisés dans le processus de fabrication; elle ne se reproduira plus.

Après de longues périodes sans utiliser l'appareil, comme à la suite de vacances ou à la fin de l'été, il se peut qu'une légère odeur se dégage pendant quelques heures. Ceci est causé par des particules de poussière brûlant dans l'échangeur de chaleur. Dans les deux cas, ouvrez une fenêtre pour aérer la pièce.

POUR VOTRE SÉCURITÉ, LISEZ CE QUI SUIT AVANT D'ALLUMER L'APPAREIL :

- Cet appareil est muni d'une veilleuse qui doit être allumée manuellement tout en suivant ces instructions à la lettre.
- Avant d'allumer, sentez autour de l'appareil et près du plancher afin de vous assurer qu'il n'y a pas de fuite de gaz.
- Certains gaz sont plus lourds que l'air et se déposeront au niveau du plancher.
- N'utilisez que votre main pour tourner le bouton de contrôle du gaz. N'utilisez jamais d'outils. Si le bouton ne tourne pas manuellement, n'essayez pas de le réparer. Appelez un technicien qualifié. Forcer le bouton ou tenter de réparer le mécanisme pourrait causer un feu ou une explosion.
- N'utilisez pas cet appareil si une partie quelconque a été submergée. Contactez immédiatement un technicien qualifié pour l'inspecter et pour remplacer toute pièce du système de contrôle et du contrôle du gaz qui aurait été submergée.

QUE FAIRE SI VOUS DÉTECTEZ UNE ODEUR DE GAZ :

- Coupez l'alimentation en gaz à l'appareil.
- Ouvrez les fenêtres.
- N'allumez aucun appareil.
- Ne touchez à aucun interrupteur électrique;
- n'utilisez aucun téléphone dans votre immeuble.
- De la maison d'un voisin, appelez immédiatement votre fournisseur de gaz et suivez ses instructions.
- Si vous ne pouvez pas rejoindre votre fournisseur de gaz, appelez le service des incendies.



BOUTON DU GAZ

ATTENTION : La soupape de gaz a un dispositif d'enclenchement qui ne permet à la veilleuse de s'allumer que lorsque le thermocouple est refroidi. Attendez au moins 60 secondes pour permettre au thermocouple de se refroidir.

Durant l'allumage et le réallumage, le bouton de contrôle du gaz ne peut tourner de « PILOT » à « OFF » à moins de l'enfoncer légèrement.

- Arrêtez lisez les consignes de sécurité ci-dessus.
- Coupez l'alimentation électrique à l'appareil.
- Tournez le bouton de contrôle du gaz vers la droite à « OFF ».

Attendez 5 minutes pour que le gaz puisse s'échapper. Si vous détectez une odeur de gaz, incluant au niveau du plancher, Arrêtez! et suivez les instructions ci-dessus « Que faire si vous détectez une odeur de gaz ». Continuez à l'étape suivante si vous ne sentez pas de gaz.

5. Tournez le bouton de contrôle du gaz vers la gauche à « PILOT ».
6. Enfoncer légèrement le bouton de contrôle du gaz pendant que vous allumez la veilleuse en appuyant sur le bouton-poussoir d'ignition. Gardez le bouton de contrôle du gaz enfoncé pendant une minute, puis relâchez-le.

Si la veilleuse ne reste pas allumée, répétez les étapes 3 à 5.

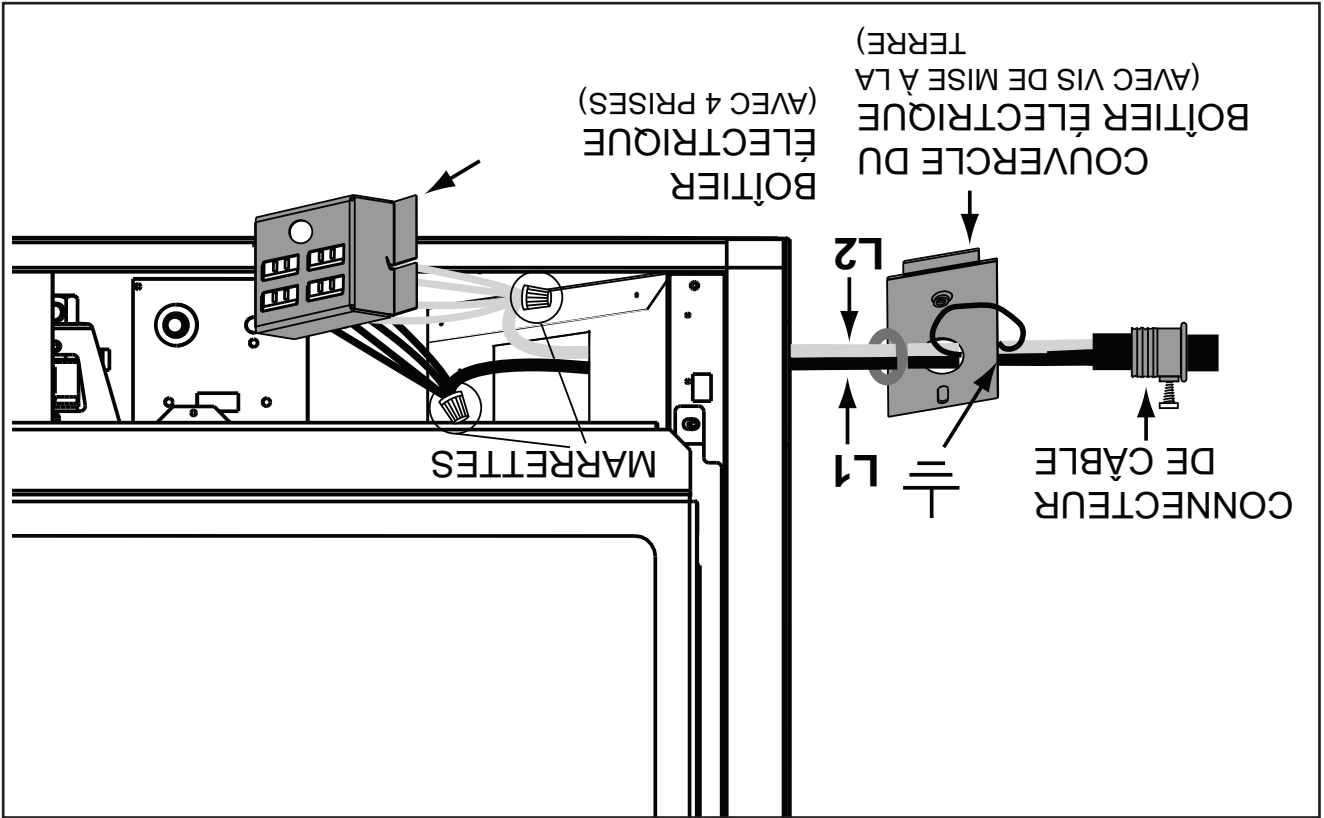
7. Lorsque la veilleuse est allumée, enfoncez et tournez le bouton de contrôle du gaz vers la gauche à « ON ».
8. Si votre appareil est muni d'un interrupteur à distance/thermostat, le brûleur principal peut ne pas s'allumer lorsque vous tournez la soupape de gaz à « ON ». L'interrupteur à distance doit aussi être à « ON » pour que le brûleur principal s'allume.

9. Rétablissez l'alimentation électrique à l'appareil.

INSTRUCTIONS POUR COUPER LE GAZ

1. Coupez l'alimentation électrique à l'appareil si un travail d'entretien doit se faire.
2. Enfoncez légèrement le bouton de contrôle du gaz et tournez vers la droite jusqu'à « OFF ». Ne forcez pas.

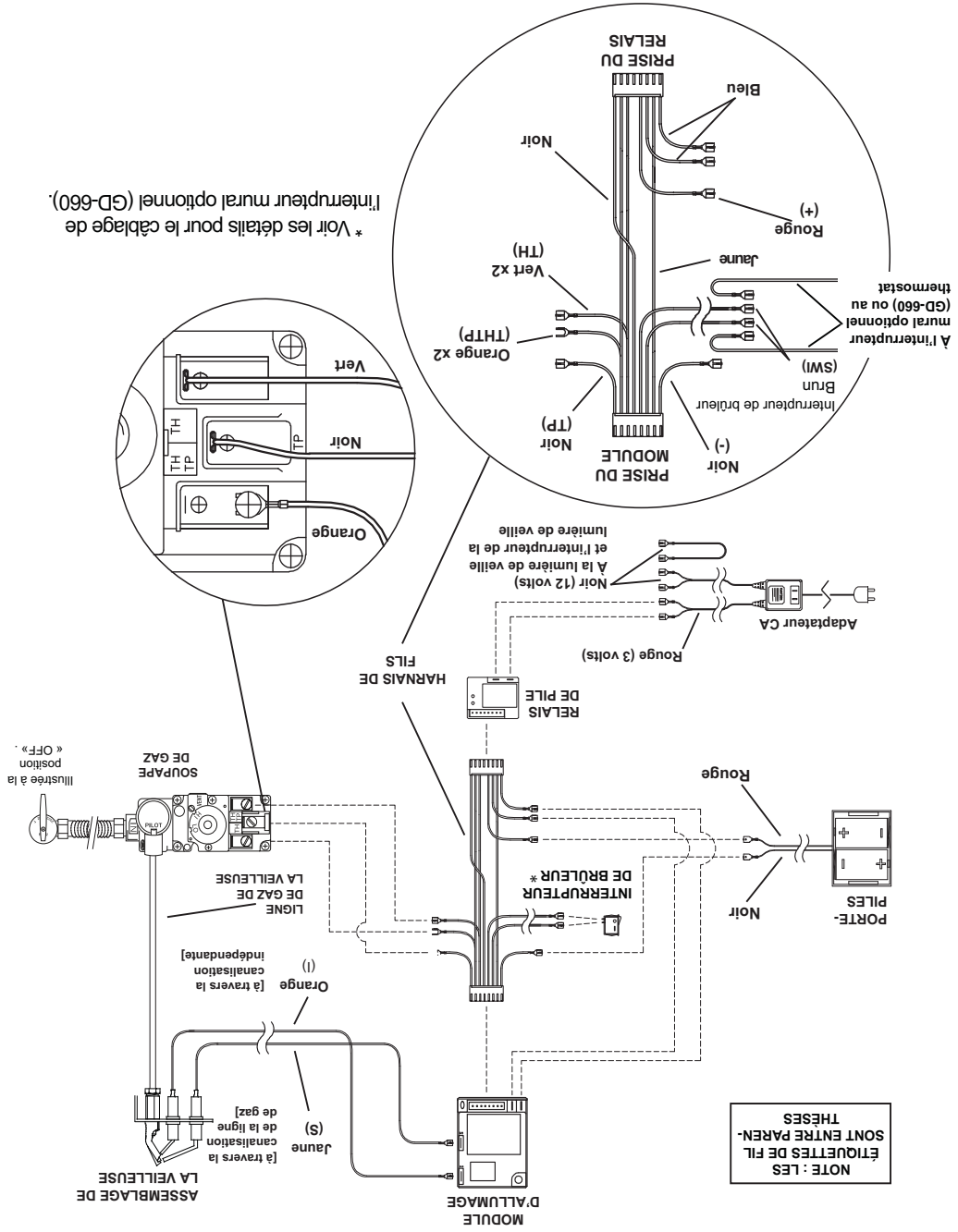
TOURNEZ LA SOUPAPE DE CONTRÔLE À « OFF » LORSQUE L'APPAREIL N'EST PAS UTILISÉ.



11.3 SCHEMA DE CÂBLAGE DU RÉCEPTACLE

11.2 INTERRUPTEUR DU BRÛLEUR DU BGD36CFG / GD36M

Pour faire fonctionner le brûleur principal, il est nécessaire d'utiliser une télécommande ou d'installer un interrupteur mural dans un endroit pratique. Pour l'interrupteur mural, un fil de calibre 18 d'une longueur de 20" est branché au harnais de fils de la soupape de gaz. Cependant, si une plus grande longueur est requise, passez un fil à deux brins (noyau solide) avec deux raccords rapides mâles isolés de 1/4" dans l'ouverture électrique située dans le bas, du côté gauche de l'appareil et branchez-le au harnais de fils comme illustré.



* Voir les détails pour le câblage de l'interrupteur mural optionnel (GD-660).

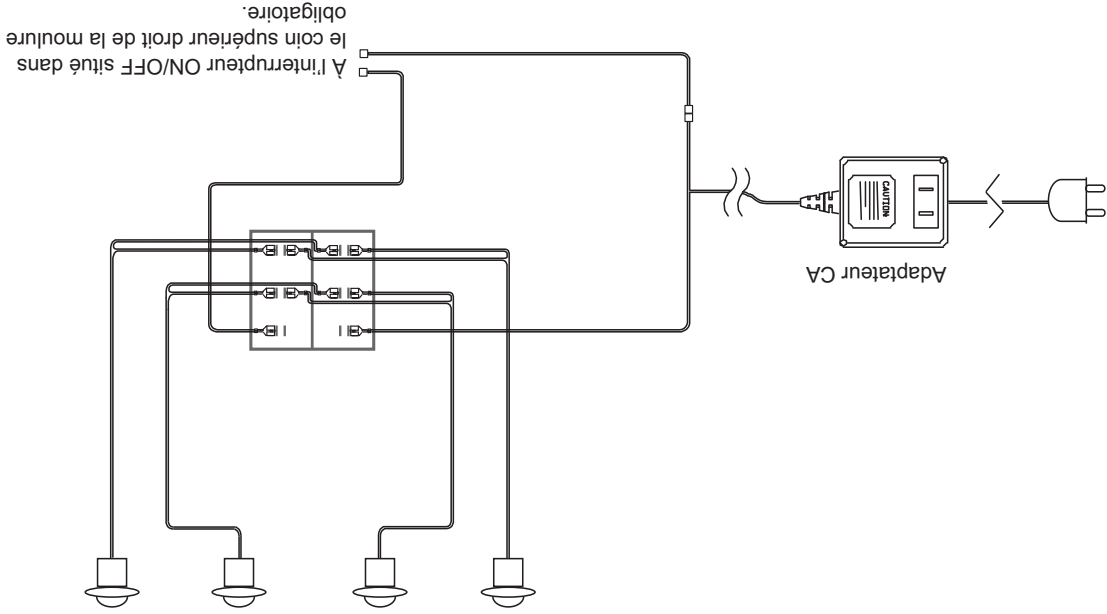
11.0 SCHEMA DE CÂBLAGE

! AVERTISSEMENT
N'UTILISEZ PAS CE Foyer SI UNE PARTIE QUELCONQUE A ÉTÉ SUBMERGÉE, CONTACTEZ IMMÉDIATEMENT UN TECHNICIEN DE SERVICE QUALIFIÉ POUR INSPECTER L'APPAREIL POUR DES DOMMAGES AU CIRCUIT ÉLECTRIQUE.
RISQUE DE CHocs ÉLECTRIQUES OU D'EXPLOSION. NE BRANCHEZ PAS LE 110 V À LA SOUPAPE OU À L'INTERRUPTEUR MURAL DE L'APPAREIL. UN BRANCHEMENT ÉLECTRIQUE INCORRECT ENDOMMAGERA LES CONTRÔLES.
CET APPAREIL DOIT ÊTRE RACCORDE ÉLECTRIQUEMENT PAR UN ÉLECTRICIEN QUALIFIÉ CONFORMÉMENT AUX CODES LOCAUX. EN L'ABSENCE DE CODES LOCAUX, UTILISEZ LA VERSION COURANTE DU CODE CANADIEN DE L'ÉLECTRICITÉ CSA C22.1 AU CANADA OU LE NATIONAL ELECTRICAL CODE ANSI/NFPA 70 AUX ÉTATS-UNIS.
ALLUMÉZ TOUJOURS LA VEILLEUSE, QUE CE SOIT POUR LA PREMIÈRE FOIS OU LORSQUÉ L'APPROVISIONNEMENT EN GAZ EST EPUISE, AVEC LA PORTE VITRÉE OUVERTE OU RETIRÉE.

69.2

11.1 INTERRUPTEUR DE LA LUMIÈRE DU BGD36CF / GD36M

Pour faire fonctionner les lumières, un interrupteur mural doit être installé dans un endroit pratique. Pour l'interrupteur mural de la lumière, un fil de calibre 18 d'une longueur de 20' est branché au bloc de branchement. Cependant, si une plus grande longueur est requise, passez un fil à deux brins (noyau solide) avec deux raccords rapides femelles de 1/4" dans l'ouverture électrique située dans le bas, du côté gauche de l'appareil et branchez-le au bloc de branchement comme illustré.



À l'interrupteur ON/OFF situé dans le coin supérieur droit de la moulure obligatoire.

69.4

10.0 INSTALLATION DE LA SOUFFLERIE OPTIONNELLE

⚠ AVERTISSEMENT RISQUE D'INCENDIE ET DE CHOC ELECTRIQUE.	
COUPEZ L'ALIMENTATION EN GAZ ET L'ALIMENTATION ELECTRIQUE AVANT DE PROCEDER A L'ENTRETIEN DE L'APPAREIL.	
N'UTILISEZ QUE LES ACCESSOIRES OPTIONNELS ET LES PIÈCES DE RECHANGE APPROUVÉES PAR WOLF STEEL POUR CET APPAREIL. L'UTILISATION D'ACCESSOIRES NON LISTÉS (SOUFFLERIE, PORTES, PERSIENNES, MOULURES, COMPOSANTS DE GAZ, COMPOSANTS D'ÉVACUATION, ETC.) POURRAIT ÊTRE NON SÉCURITAIRE ET ANNULER LA GARANTIE ET LA CERTIFICATION.	
AFIN DE PRÉVENIR LES CHOCs ELECTRIQUES ET LES DOMMAGES CAUSÉS PAR LE FEU, ASSUREZ-VOUS QUE LE CORDON D'ALIMENTATION DU VENTILATEUR N'ENTRE PAS EN CONTACT AVEC QUELCONQUE SURFACE DE L'APPAREIL. NE FAITES PAS PASSER LE CORDON D'ALIMENTATION SOUS L'APPAREIL.	
LE HARNAIS DE FILS FOURNI DANS L'ENSEMBLE DE SOUFFLERIE EST UN HARNAIS UNIVERSEL. LORS DE SON INSTALLATION, ASSUREZ-VOUS QUE TOUT EXCÈS DE FIL EST CONFINÉ, L'EMPECHANT AINSI D'ENTRER EN CONTACT AVEC DES OBJETS CHAUDS OU MOBILES.	

51.5

10.1 ACCÈS À LA SOUFFLERIE

A. Enlevez la porte d'accès de la soupape et la moulure de porte supérieure.

B. Ouvrez la porte principale.

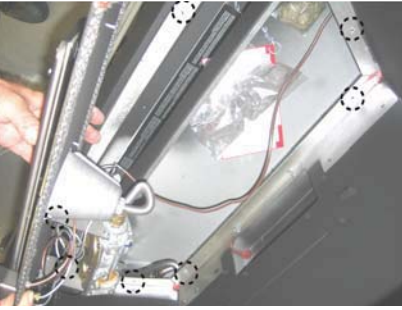
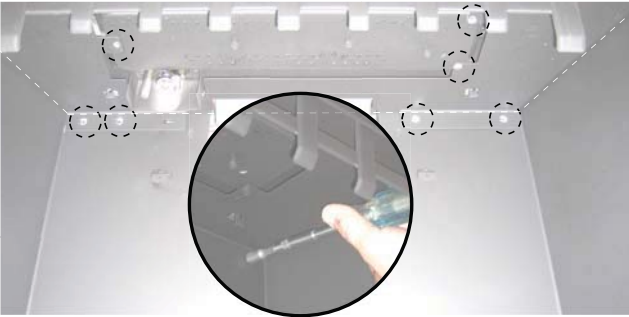
C. Enlevez soigneusement les bûches ou les braises vitrifiées.

D. Enlevez le support à bûches comme illustré section « INSTALLATION DU BRÛLEUR POUR BRAISES VITRIFIÉES ».

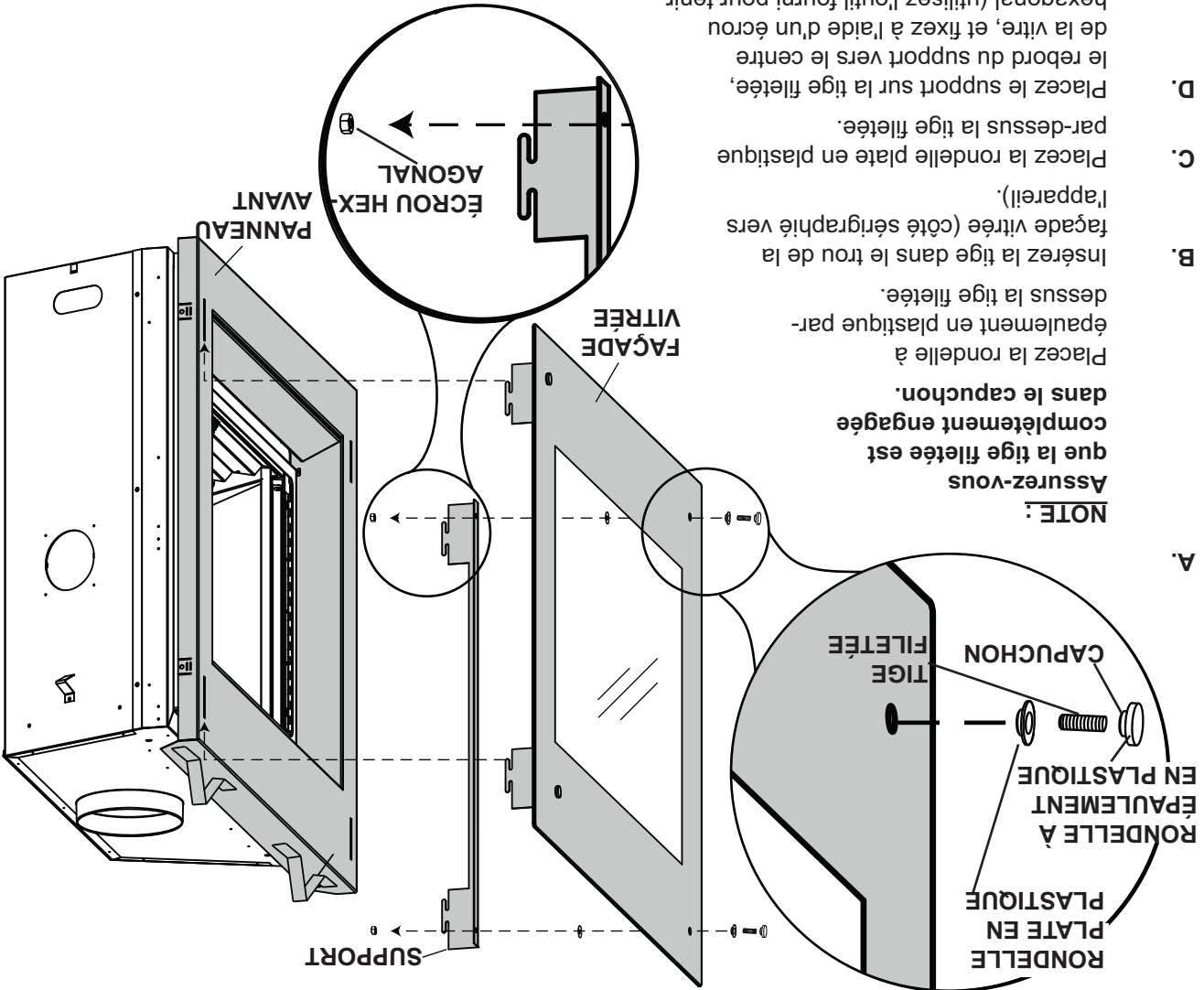
E. Enlevez le déflecteur supérieur et, s'il y a lieu, les panneaux de porcelaine de la chambre de combustion.

F. Enlevez les 8 vis sur le pourtour, comme illustré, puis retirez l'assemblage du brûleur. (Le raccord flexible de l'alimentation en gaz devrait être suffisamment mobile pour permettre de placer l'assemblage vers le côté.)

G. Inversez la procédure pour réassembler en vous assurant que le joint d'étanchéité du brûleur est intact et bien placé pour sceller la base du brûleur.



9.2 INSTALLATION ET ENLÈVEMENT DE LA FAÇADE VITRÉE GD36M



A.

NOTE :
Assurez-vous que la tige filetée est complètement engagée dans le capuchon.

Placez la rondelle à épaulement en plastique par-dessus la tige filetée.

Insérez la tige dans le trou de la façade vitrée (côté sérigraphié vers l'appareil).

Placez la rondelle plate en plastique par-dessus la tige filetée.

Placez le support sur la tige filetée, le rebord du support vers le centre de la vitre, et fixez à l'aide d'un écrou hexagonal (utilisez l'outil fourni pour tenir le capuchon). **ATTENTION : Ne serrez pas trop fort.**

D.

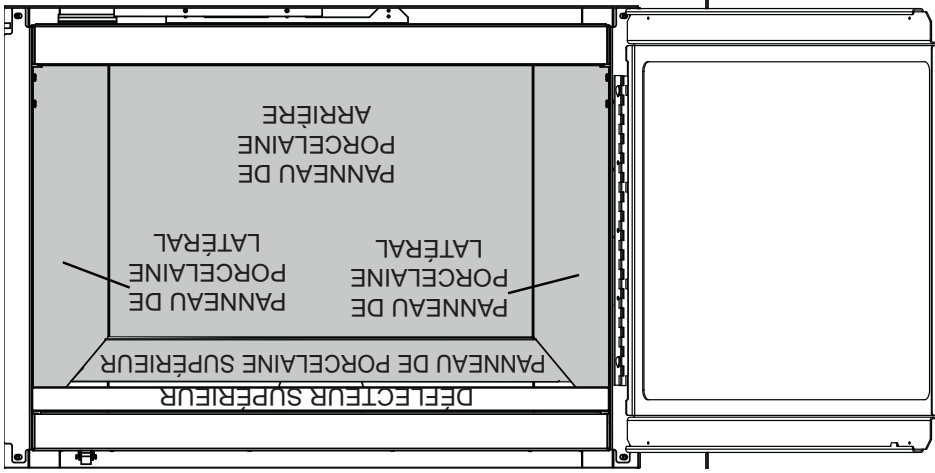
C.

B.

A.

9.3 INSTALLATION DU PANNEAU RÉFLECTEUR EN PORCELAINE SUPÉRIEUR GD36M

E. Soulevez la façade vitrée et glissez les pattes dans les fentes du panneau avant de l'appareil.



A.

Placez le panneau de porcelaine supérieur en arrière des panneaux de porcelaine arrière et latéraux comme illustré.

9.0 FINITION DU BGD36CFG / GD36M

9.1 INSTALLATION DU BRÛLEUR POUR BRAISES VITRIFIÉES

⚠ AVERTISSEMENT

NETTOYEZ LES BRAISES VITRIFIÉES AVANT L'INSTALLATION. ASSUREZ-VOUS QU'ELLES SONT SÈCHES AVANT DE LES DISPOSER DANS LE PLATEAU.

NE CHANGEZ PAS OU NE SUBSTITUEZ PAS LES BRAISES VITRIFIÉES FOURNIES AVEC CET APPAREIL. EN CAS DE REMPLACEMENT, N'UTILISEZ QUE LES BRAISES VITRIFIÉES DE REMPLACEMENT DISPONIBLES CHEZ VOTRE DÉTAILLANT AUTORISÉ.

NE DÉPOSEZ QU'UNE SEULE COUCHE DE BRAISES VITRIFIÉES SUR LE BRÛLEUR. PLUS D'UNE COUCHE DE BRAISES SUR LE BRÛLEUR AURA POUR EFFET DE FAIRE MONTER LA FLAMME ET DE CRÉER DE LA SUIE.

Épaillez uniformément les braises vitrifiées dans le plateau, en suivant sa forme naturelle et en couvrant le brûleur tubulaire.

Dans certaines installations, des braises vitrifiées placées par-dessus le brûleur tubulaire peuvent causer un bruit de soufflement. Si ce bruit est excessif, éloignez simplement les braises vitrifiées des orifices de brûleur. **NOTE :** La répartition des braises vitrifiées sur le brûleur tubulaire aura une incidence sur la hauteur de la flamme. Lorsque les flammes empiètent sur les braises vitrifiées, celles-ci peuvent se décolorer légèrement et les bords peuvent ramollir.

NETTOYAGE DES BRAISES VITRIFIÉES

Il est possible qu'un film huileux recouvre les braises. Avant de les disposer sur le plateau, nettoyez les braises avec un savon à vaisselle doux, égouttez-les, rincez-les à fond et laissez-les sécher.

74.1A

À l'aide de 6 vis (W570-0001), fixez le plateau à braises vitrifiées au brûleur.

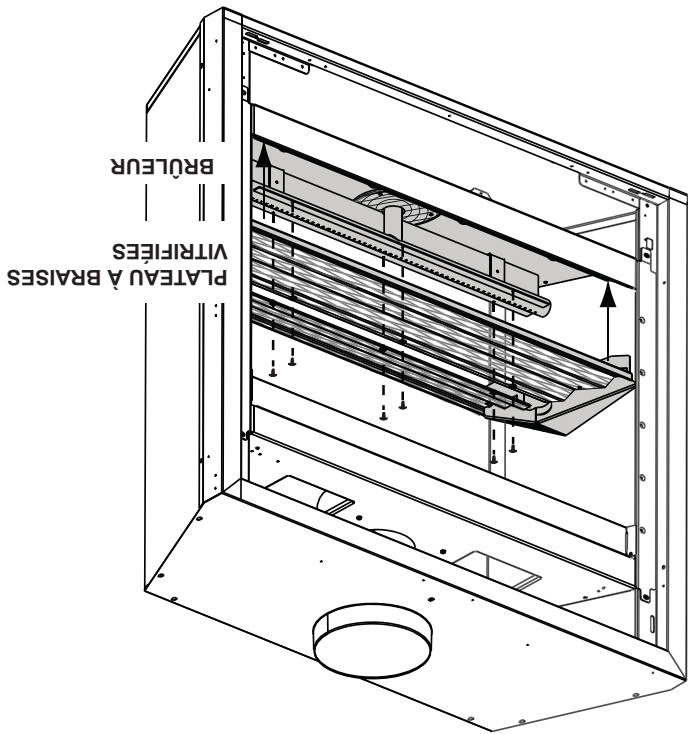
Épandez également les braises vitrifiées (W300-0102) dans le plateau à braises de façon à recouvrir le brûleur tubulaire (suivez la forme du plateau).

NOTE : La répartition des braises vitrifiées sur le brûleur tubulaire aura une incidence sur la hauteur de la flamme.

NOTE : Avant de retirer le plateau à braises vitrifiées, assurez-vous que les braises soient

éloignées du centre du grillage, dégageant ainsi le brûleur, puis enlevez les vis et retirez le plateau en le soulevant.

Lors du remplacement du brûleur, il ne doit pas y avoir de braises vitrifiées dans l'espace entourant l'injecteur. **CONSEIL :** Si des braises vitrifiées tombent dans le plateau entourant l'injecteur, mettez un nouveau sac dans l'aspirateur et aspirez les braises. Des braises vitrifiées de remplacement peuvent être commandées auprès de votre détaillant Wolf Steel Itée.

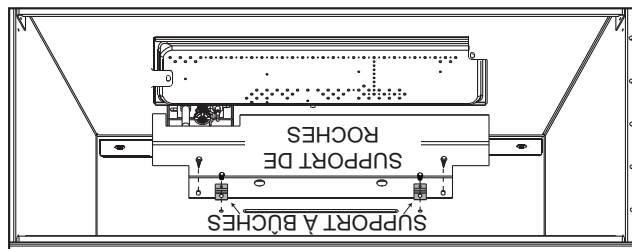


8.5 ENSEMBLE DE ROCHEs OPTIONNEL

(L'ENSEMBLE ADAPTATEUR RAK-ROCK DOIT ÊTRE UTILISÉ AVEC CET ENSEMBLE.)

! AVERTISSEMENT

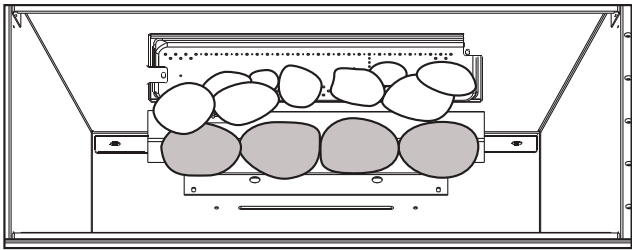
NE PAS UTILISER DE VRAIES ROCHEs DANS CET APPAREIL. LA CHALEUR LES FERA ÉCLATER.



A. Enlevez tous les composants décoratifs et les bûches.

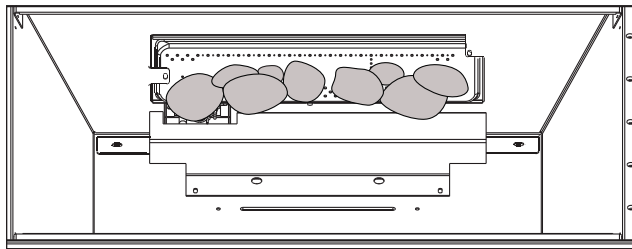
Enlevez les 2 vis et le support de retenue pour bûches qui sont déjà installés dans la chambre de combustion et fixez le support de retenue pour roches le long de l'arrière de la chambre de combustion.

NOTE : Quand les panneaux de porcelaine sont installés, le support de retenue pour roches est fixé sur le panneau arrière. Les pattes du panneau de porcelaine arrière doivent être pliées vers le haut pour être à égalité avec le support de retenue pour roches.



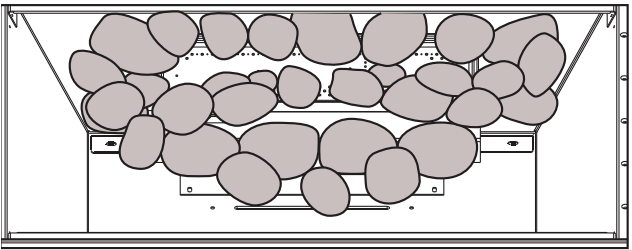
B. Enlevez les 2 vis et le support de retenue pour bûches qui sont déjà installés dans la chambre de combustion et fixez le support de retenue pour roches le long de l'arrière de la chambre de combustion.

D. Placez les grosses roches avec fente le long du pourtour du support de retenue pour roches tel qu'illustré.



C. Mettez les deux amas de roches en place, en alignant les tiges situées sur le brûleur avec les trous en dessous des roches. Assurez-vous que les amas reposent à plat sur le brûleur.

NOTE : Pour obtenir de meilleurs résultats, il est recommandé d'enlever le chenet et de peindre les surfaces où le chenet a été enlevé avec de la peinture approuvée par Wolf Steel.



E. Placez les autres roches autour du brûleur comme vous le désirez, en vous assurant de ne pas couvrir les orifices du brûleur. (Il n'y a pas de positions déterminées.)

8.2 BRAISES INCANDESCENTES

Déchirez les braises incandescentes en morceaux et placez-les le long de la première rangée des orifices du brûleur en couvrant toute la surface à l'avant des petites bûches. Les braises devraient être déchirées très soigneusement en petits morceaux minces irréguliers, car seuls les côtés exposés des fibres deviendront incandescentes. **Les braises seront incandescentes seulement lorsqu'elles sont exposées à une flamme directe; cependant, prenez bien garde de ne pas boucher les orifices du brûleur.** Le blocage des orifices du brûleur peut créer une flamme irrégulière, des dépôts de carbone et un retard d'allumage. Les bûches PHAZER^{MD} rougeoient lorsqu'elles sont exposées à une flamme directe. N'utilisez que des braises incandescentes et des bûches certifiées PHAZER^{MD}, disponibles chez votre détaillant autorisé.

8.3 BRAISES DE CHARBON DE BOIS

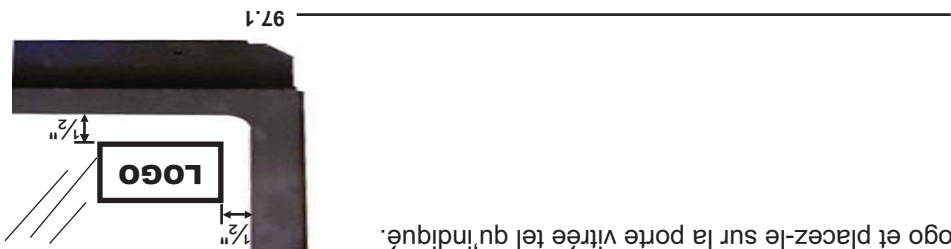
Eparillez les braises à l'avant et sur les côtés du support à bûches de façon à créer un effet réaliste.

N'utilisez pas la fine poussière qui reste au fond du sac.

NOTE : Les braises de charbon de bois ne doivent pas être placées sur le brûleur.

8.4 MISE EN PLACE DU LOGO

R retirez le papier dorsal du logo et placez-le sur la porte vitrée tel qu'indiqué.



8.0 FINITION DU BGD36CF

8.1 DISPOSITION DES BÛCHES

AVERTISSEMENT

OMETTRE DE POSITIONNER LES BÛCHES CONFORMÉMENT AUX SCHEMAS OU OMETTRE D'UTILISER UNIQUEMENT DES BÛCHES SPÉCIFIQUEMENT APPRUVÉES POUR CET APPAREIL PEUT CAUSER DES DOMMAGES MATÉRIELS OU DES BLESSURES CORPORELLES.

LES BÛCHES DOIVENT ÊTRE PLACÉES CORRECTEMENT À L'INTÉRIEUR DE L'APPAREIL. NE CHANGEZ PAS LA POSITION DES BÛCHES CAR L'APPAREIL RISQUE DE NE PAS FONCTIONNER ADEQUATEMENT ET UN RETARD D'ALLUMAGE RISQUE DE SE PRODUIRE.

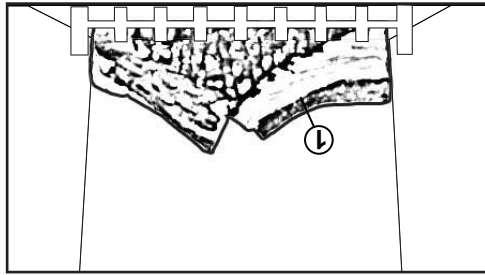
LES BÛCHES SONT FRAGILES ET DEVIENNAIENT ÊTRE MANIPULÉES AVEC SOIN.

Les bûches **PHAZER™** et les braises incandescentes, exclusives aux appareils NAPOLÉON®, créent un effet incandescent réaliste et unique qui est différent dans chaque installation. Prenez le temps de bien installer les braises incandescentes pour obtenir le meilleur effet possible. La couleur des bûches peut varier. Lors de l'utilisation initiale de l'appareil, les couleurs deviendront plus uniformes à mesure que leurs pigments seront absorbés pendant le procédé de cuisson.

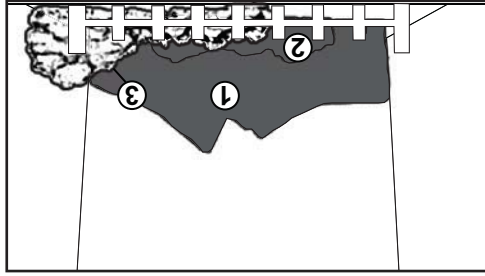
Placez la bûche arrière de sorte qu'elle s'appuie sur les deux supports à bûche situés sur le mur

arrère de la chambre de combustion. L'espace d'air entre la bûche et l'arrière de la chambre de combustion sert à faciliter la circulation de l'air

comburant.

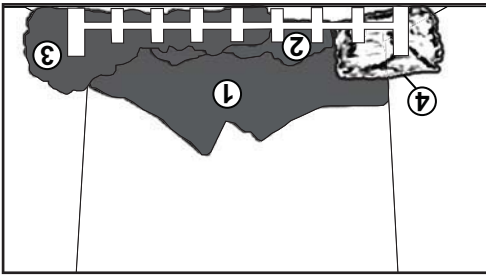


A.



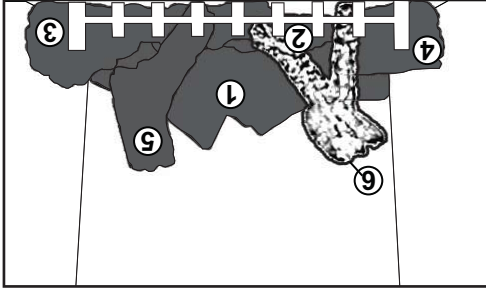
Placez la bûche avant droite juste en arrière du chenet en alignant les trous sous la bûche avec les tiges situées sur le support à bûches.

B.



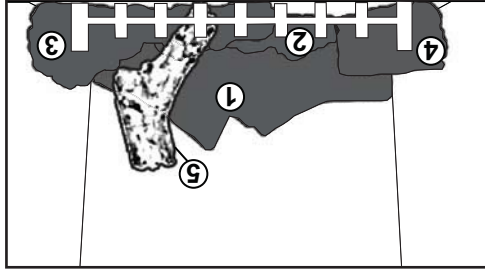
Placez la bûche gauche en alignant le trou sous la bûche avec la tige située du côté gauche du support à bûches.

C.



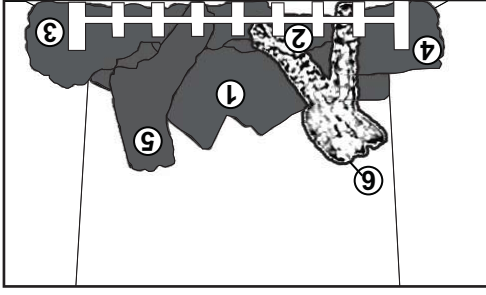
Alignez le trou rectangulaire de la bûche transversale gauche avec la tige rectangulaire située du côté gauche de la bûche et installez tel qu'illustré.

D.



Alignez le trou carré de la bûche transversale droite avec la tige carrée située du côté droit de la bûche et installez tel qu'illustré.

E.

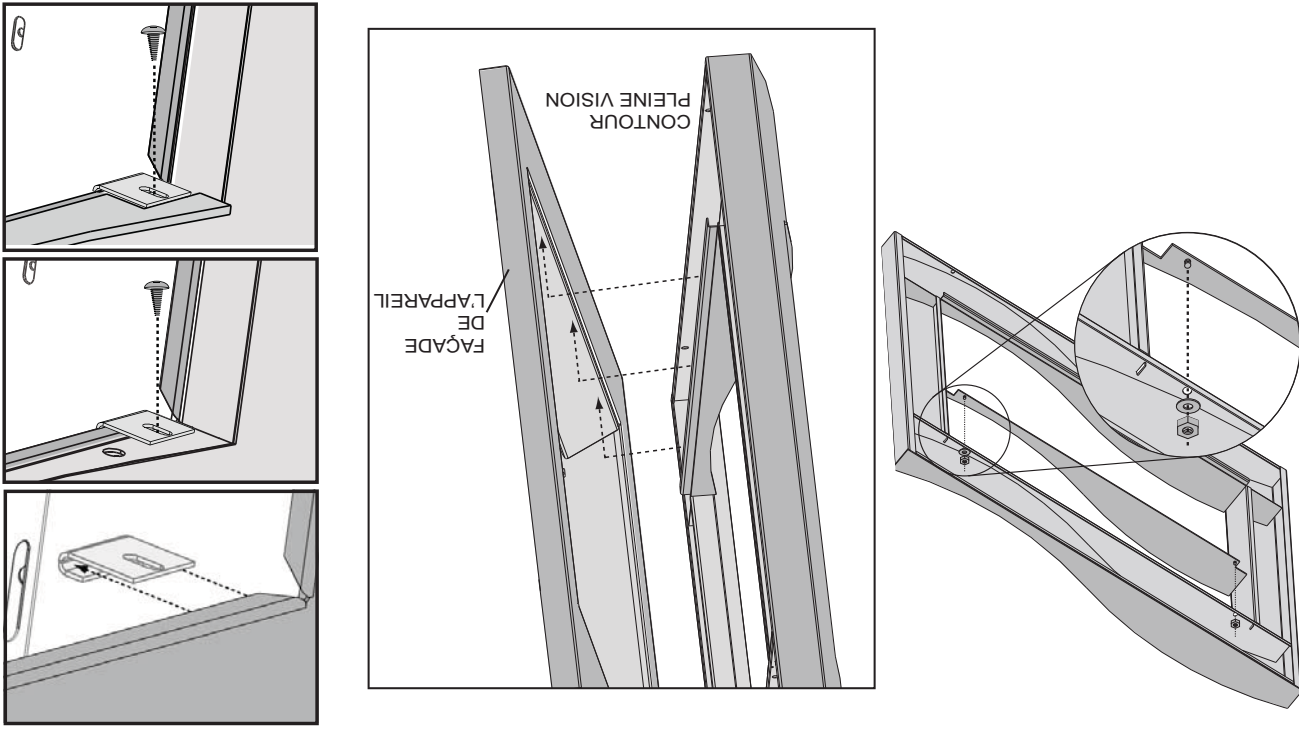


Alignez le trou rectangulaire de la bûche transversale gauche avec la tige rectangulaire située du côté gauche de la bûche et installez tel qu'illustré.

F.

7.2 INSTALLATION DU CONTOUR PLEINE VISION À L'EXCEPTION DU MODÈLE GD36M

Toutes les illustrations représentent le contour vague.



- A. À partir de l'arrière du contour, insérez les goujons soudés de la plaque de finition supérieure vers le haut, dans les trous de la face inférieure du haut du contour.
- B. Utilisez une clé à douille pour serrer les écrous et les rondelles fournis. Selon votre contour, l'espace peut être restreint.
- C. Fixez d'abord le contour à la façade de l'appareil en accrochant le rebord horizontal à l'arrière du contour par-dessus la bordure inférieure de la façade de l'appareil.
- D. Lorsque le contour repose contre la façade de l'appareil, accrochez les attaches du contour derrière le rebord supérieur de l'ouverture de l'appareil et fixez en insérant les vis fournies à travers la fente de l'attache et dans le trou du contour. Si vous installez la plaque de finition optionnelle, l'attache du contour s'installe dans la découpe et se fixe de la même manière.

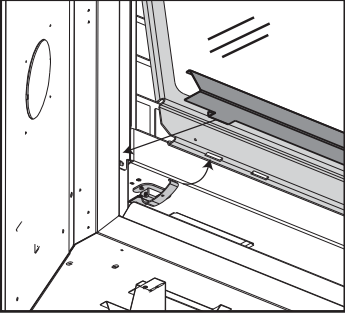
7.0 FINITION

7.1 OUVERTURE ET FERMETURE DE LA PORTE

! AVERTISSEMENT

LA VITRE PEUT ÊTRE CHAUDE, NE TOUCHEZ PAS LA VITRE JUSQU'À CE QU'ELLE AIT REFROIDI.
LES LOQUETS DE PORTE FONT PARTIE D'UN DISPOSITIF DE SÉCURITÉ ET DOIVENT ÊTRE ADÉQUATEMENT VERROUILLÉS. NE FAITES PAS FONCTIONNER L'APPAREIL LORSQUE LES LOQUETS SONT DÉVERROUILLÉS.
LES MATÉRIAUX DE FAÇADE ET DE FINITION NE DOIVENT PAS NUIRE À LA CIRCULATION DE L'AIR DANS LES OUVERTURES D'AIR ET LES PERSIENNES, NI AU FONCTIONNEMENT DES PERSIENNES OU DES PORTES. ILS NE DOIVENT PAS NON PLUS ENTRAVER L'ACCÈS POUR L'ENTRÉTIEN. RESPECTEZ TOUS LES DÉGAGEMENTS AUX MATÉRIAUX COMBUSTIBLES.
AVANT D'ENLEVER LA PORTE, ÉTEIGNEZ L'APPAREIL ET ATTENDEZ QUE CE DERNIER SOIT FROID AU TOUCHER. LES PORTES SONT LOURDES ET FRAGILES; MANIPULEZ AVEC SOIN.

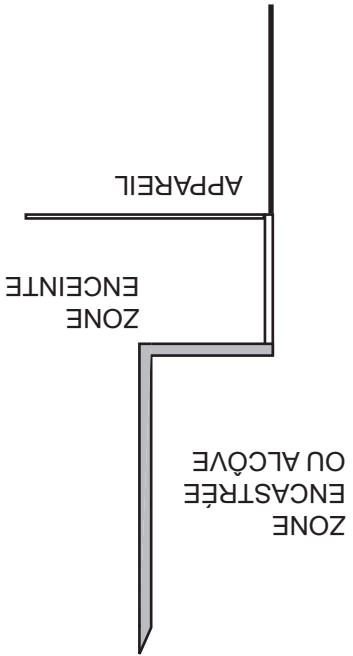
75.1



Pour accéder aux loquets de la porte, enlevez la porte de contrôle de la soupape et la moulure supérieure. Ouvrez la porte en déverrouillant les loquets supérieur et inférieur situés du côté droit de la porte.

NOTE: L'emballage de protection sur les pièces plaquées s'enlève mieux lorsque l'assemblage est à température ambiante ou lorsqu'il est chauffé avec un séchoir à cheveux ou une autre source de chaleur similaire.

6.5 INSTALLATION EN ALCÔVE



NOTE : Les zones encastrées ou les alcôves au dessus de l'appareil peuvent être aussi profondes que désiré tant que les dégagements minimaux aux matériaux combustibles sont respectés.

Vous pouvez utiliser un matériau incombustible, pourvu que les dégagements minimaux aux matériaux combustibles soient appliqués.

Le volume minimal de l'enceinte doit être augmenté d'au moins la valeur du volume de la zone encastrée. Cet ajustement peut être réalisé en augmentant une ou toutes les dimensions de l'enceinte.

71.2

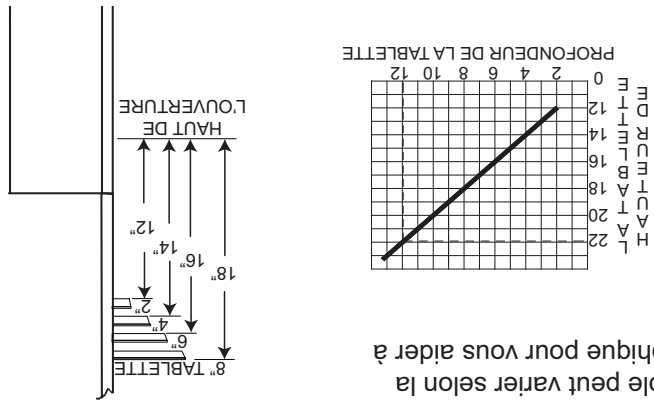
6.6 DÉGAGEMENTS MINIMAUX DE LA TABLETTE

AVERTISSEMENT

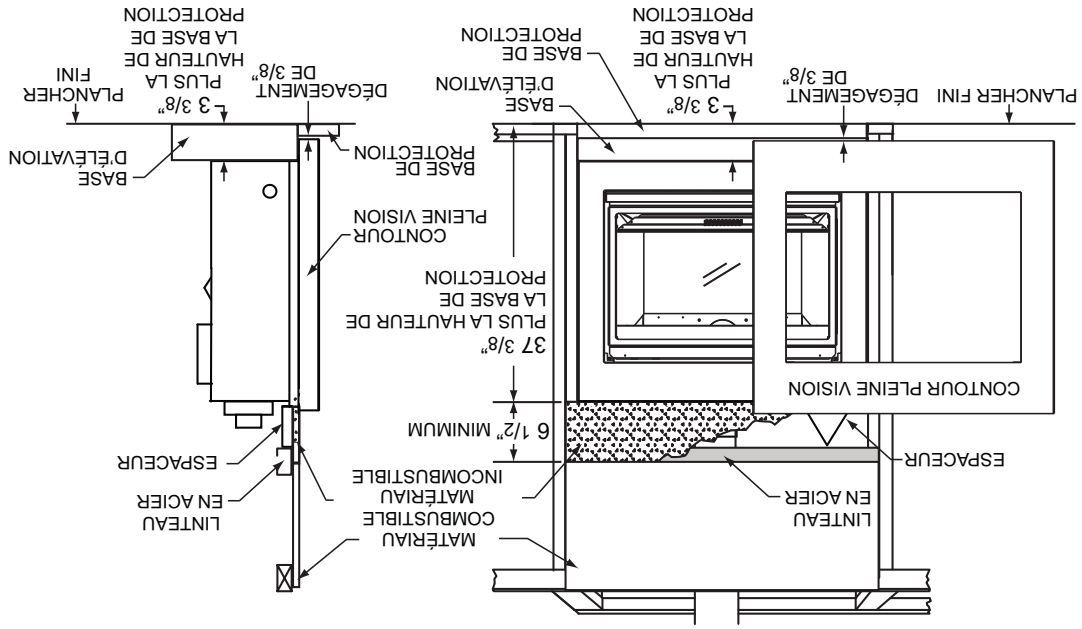
RISQUE D'INCENDIE. CONSERVEZ TOUS LES DÉGAGEMENTS AUX MATÉRIAUX COMBUSTIBLES SPÉCIFIÉS. NE PAS RESPECTER CES INSTRUCTIONS PEUT CAUSER UN INCENDIE OU UNE SURCHAUFFE. ASSUREZ-VOUS QUE TOUTS LES DÉGAGEMENTS (ARRIÈRE, CÔTÉS, DESSUS, EVENTS, TABLETTE, FAÇADE, ETC.) SONT RESPECTÉS À LA LETTRE.

LORSQUE VOUS UTILISEZ DE LA PEINTURE OU DU VERNIS COMME FINITION POUR VOTRE TABLETTE, ASSUREZ-VOUS QU'ILS SOIENT RÉSISTANTS À LA CHALEUR AFIN DE PRÉVENIR LA DÉCOLORATION.

73.1

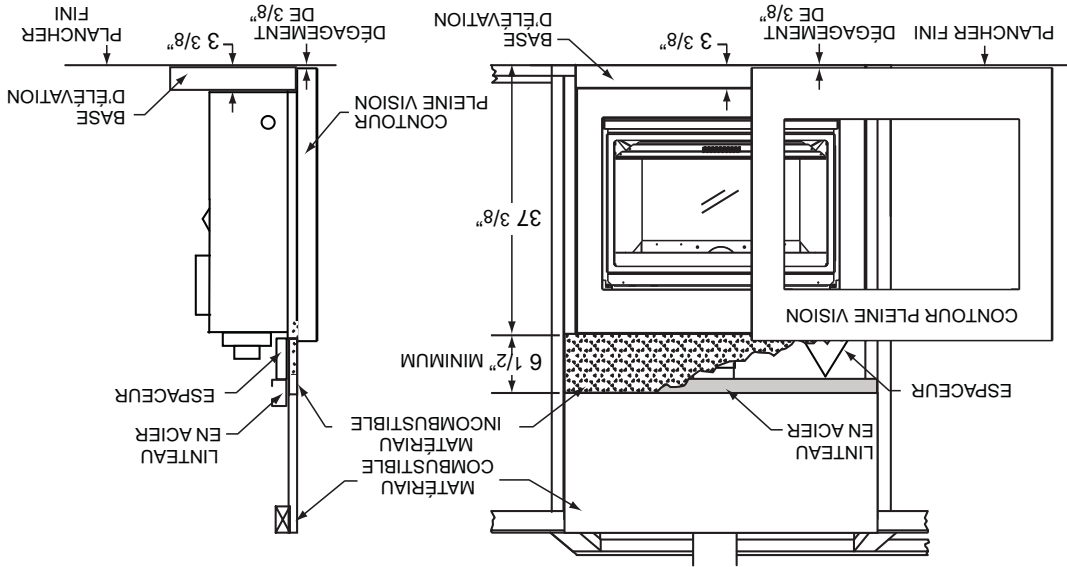


Le dégagement d'une tablette combustible peut varier selon la profondeur de la tablette. Utilisez le graphique pour vous aider à déterminer le dégagement nécessaire.



Lorsque la base d'élevation est installée sur une base de protection, un dégagement minimal de 3/8" PLUS la hauteur de la base de protection est nécessaire entre le plancher fini et le bas de l'appareil.

6.4.2 INSTALLATION DE LA BASE DE PROTECTION



Lorsque la base d'élevation est installée sur un plancher fini, un dégagement minimal de 3/8" est nécessaire entre le plancher fini et le bas de l'appareil.

6.4.1 INSTALLATION DU PLANCHER FINI

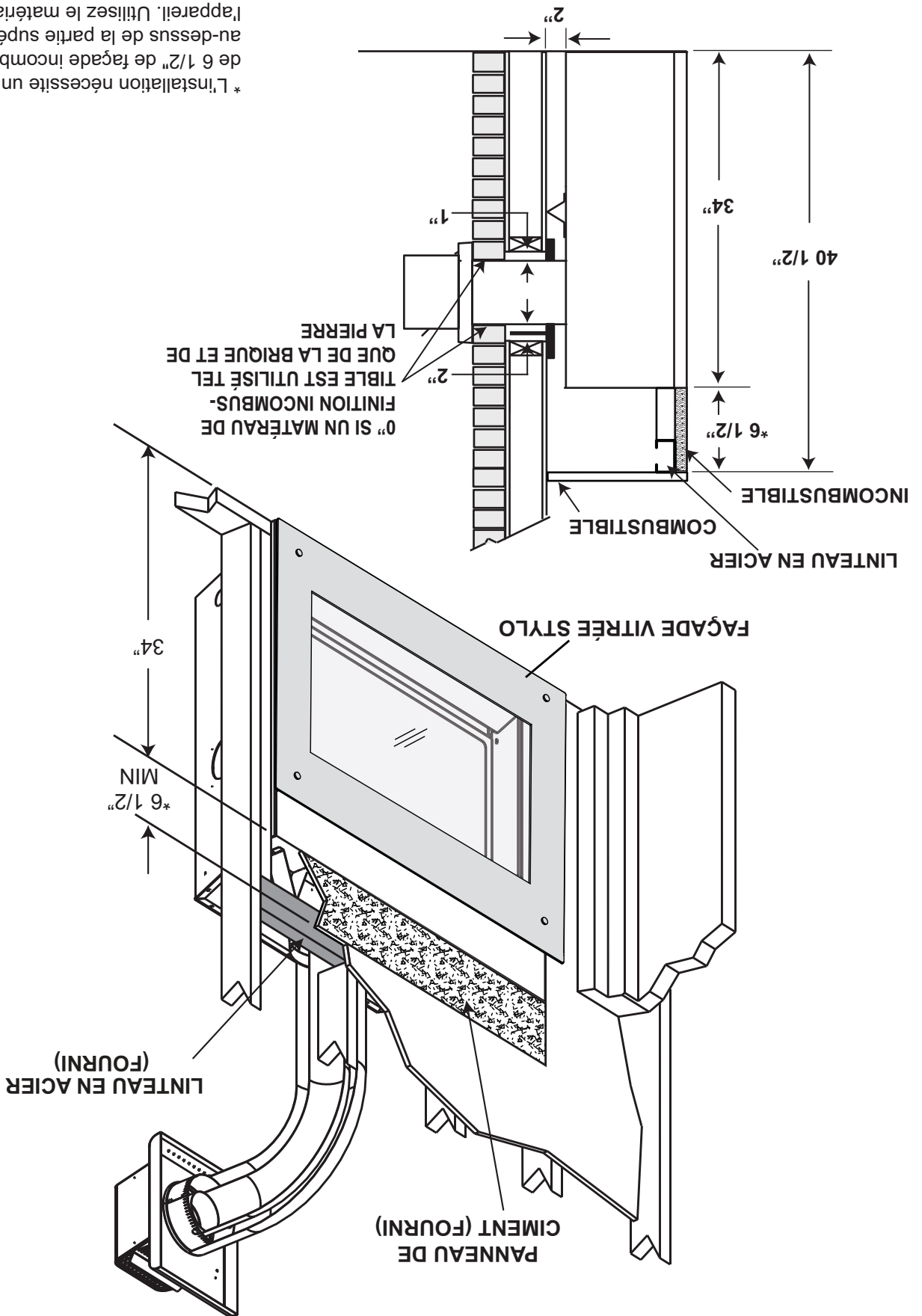
L'installation nécessite un minimum de 6 1/2" de façade incombustible au dessus de la partie supérieure de l'appareil. Référez-vous aux illustrations ci-dessus (selon votre type d'installation) pour vous assurer que votre appareil soit conforme aux exigences de l'ensemble. Un dégagement de 3/8" est nécessaire à la base de l'ensemble du contour pleine vision, que l'appareil soit installé sur un plancher fini ou sur une base de protection. Pour obtenir ce dégagement, une base d'élevation est requise.



MODÈLE G36M

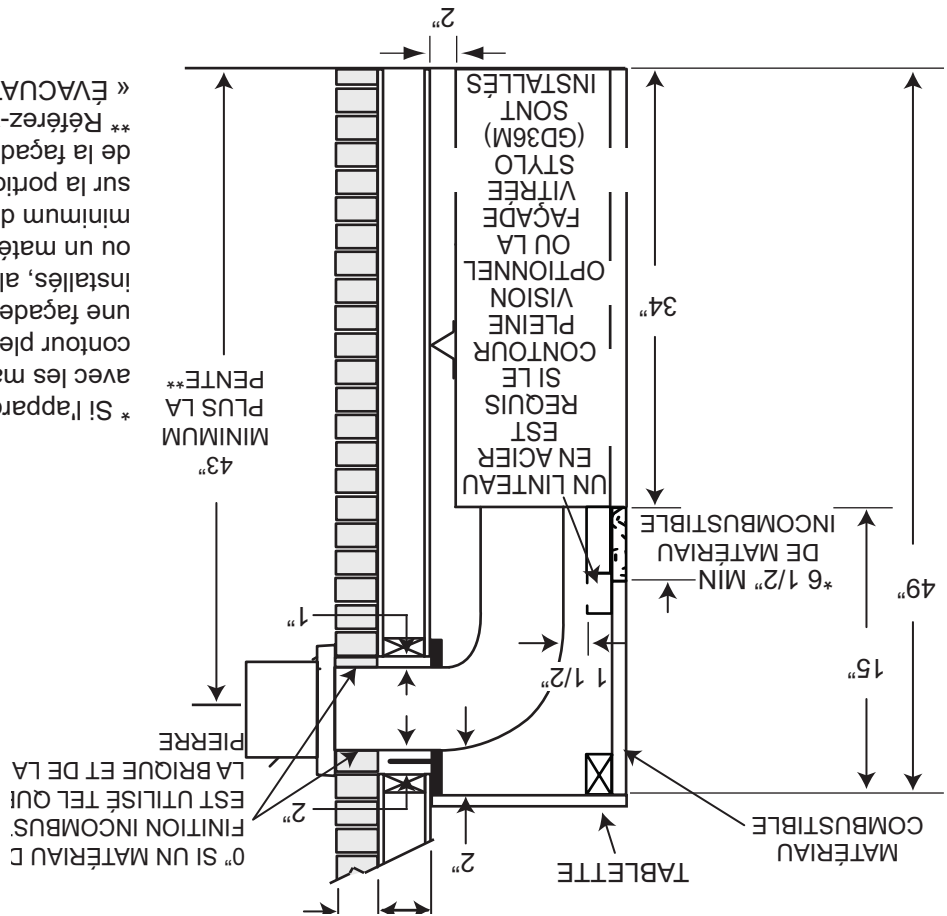
6.4 OSSATURE ET FINITION DU CONTOUR PLEINE VISION À L'EXCEPTION DU

**6.3.4 INSTALLATION DE L'ENCAINTE AVEC LE CONTOUR PLEINE VISION
OPTIONNEL OU LA FAÇADE VITRÉE STYLO (GD36M)**



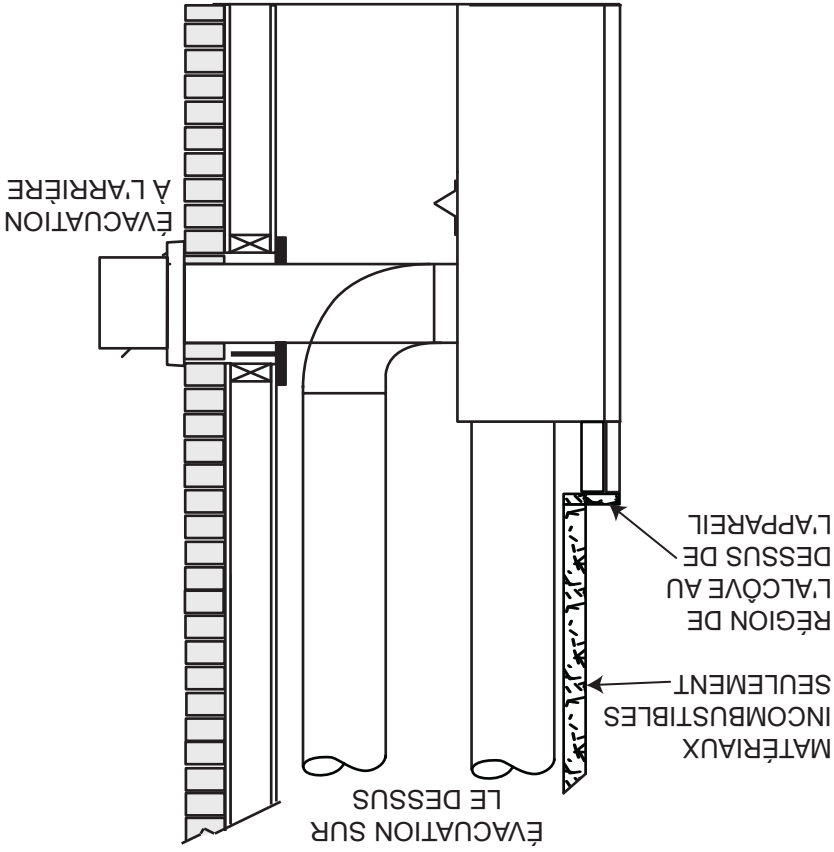
* L'installation nécessite un minimum de 6 1/2" de façade incombustible au-dessus de la partie supérieure de l'appareil. Utilisez le matériau fourni.

6.3.2 ENCEINTE POUR UNE ÉVACUATION SUR LE DESSUS



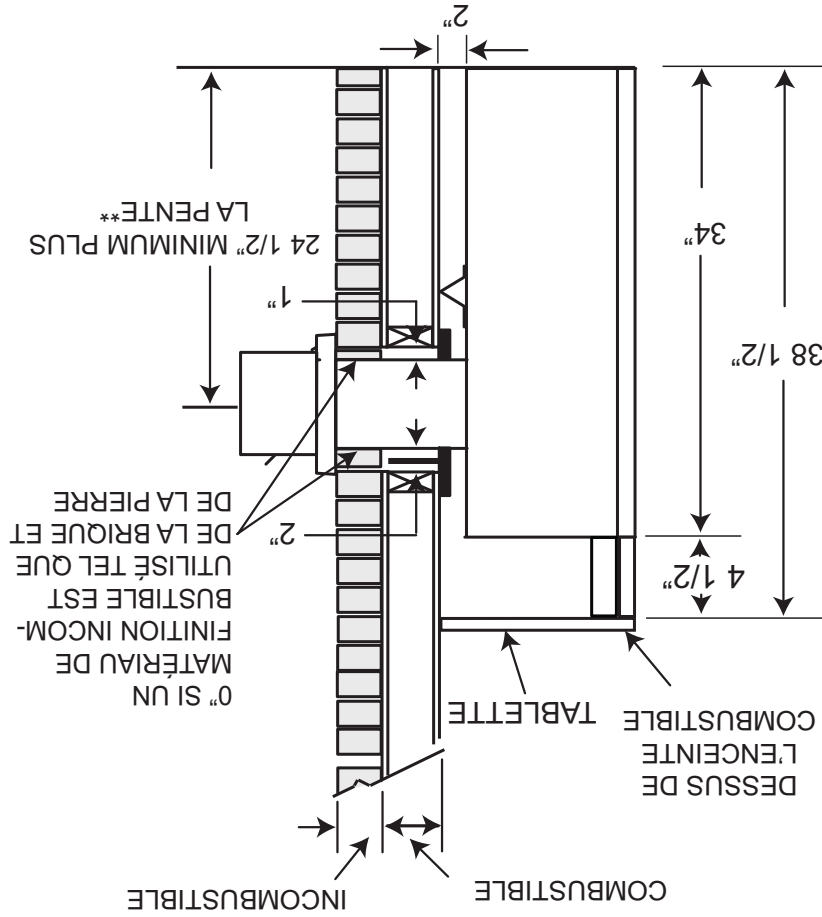
* Si l'appareil est installé à égalité avec les matériaux de finition et qu'un contour pleine vision optionnel ou une façade vitrée stylo doivent être installés, alors un panneau de ciment ou un matériau incombustible, d'un minimum de 6 1/2", doit être utilisé sur la portion supérieure seulement de la façade.
 ** Référez-vous à la section « ÉVACUATION ».

6.3.3 ENCEINTE EN ALCÔVE



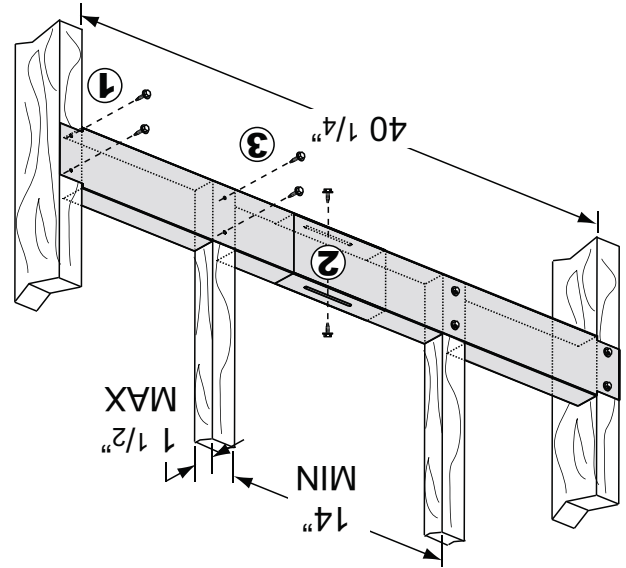
Les alcôves au dessus de l'appareil peuvent être aussi profondes que désiré tant que les dégagements aux matériaux combustibles aux sections 6.3.1 et 6.3.2 sont respectés. Si les dégagements aux composants d'évacuation sont réduits, des matériaux incombustibles doivent être utilisés.

6.3 DÉGAGEMENTS MINIMAUX DE L'ENCEINTE
6.3.1 ENCEINTE DE L'ÉVACUATION À L'ARRIÈRE

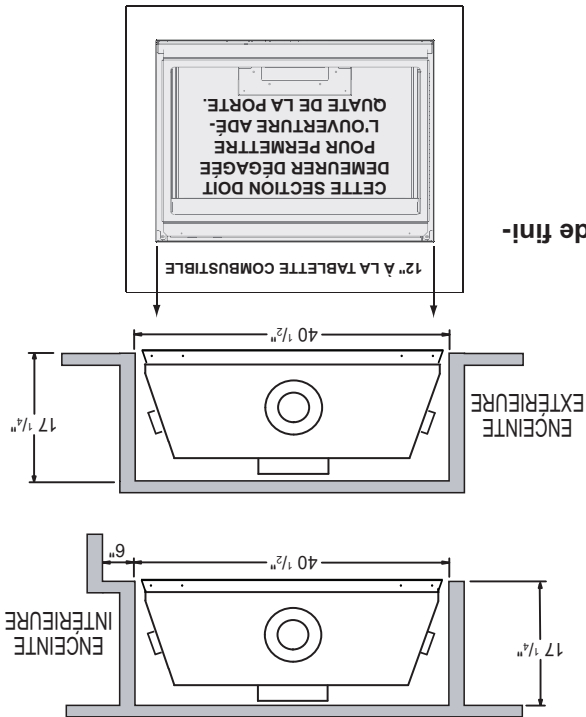


L'enceinte de l'appareil doit avoir une hauteur minimale de 38 1/2" (ÉVACUATION À L'ARRIÈRE) ou de 49" (ÉVACUATION SUR LE DESSUS). Afin de respecter les contraintes de température, l'espace à l'intérieur de l'enceinte, autour de l'appareil et au-dessus, doit demeurer sans obstruction.

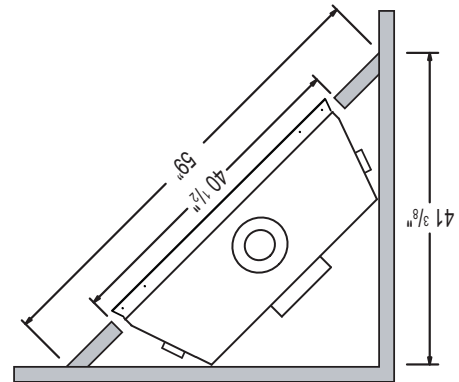
** Référez-vous à la section ÉVACUATION

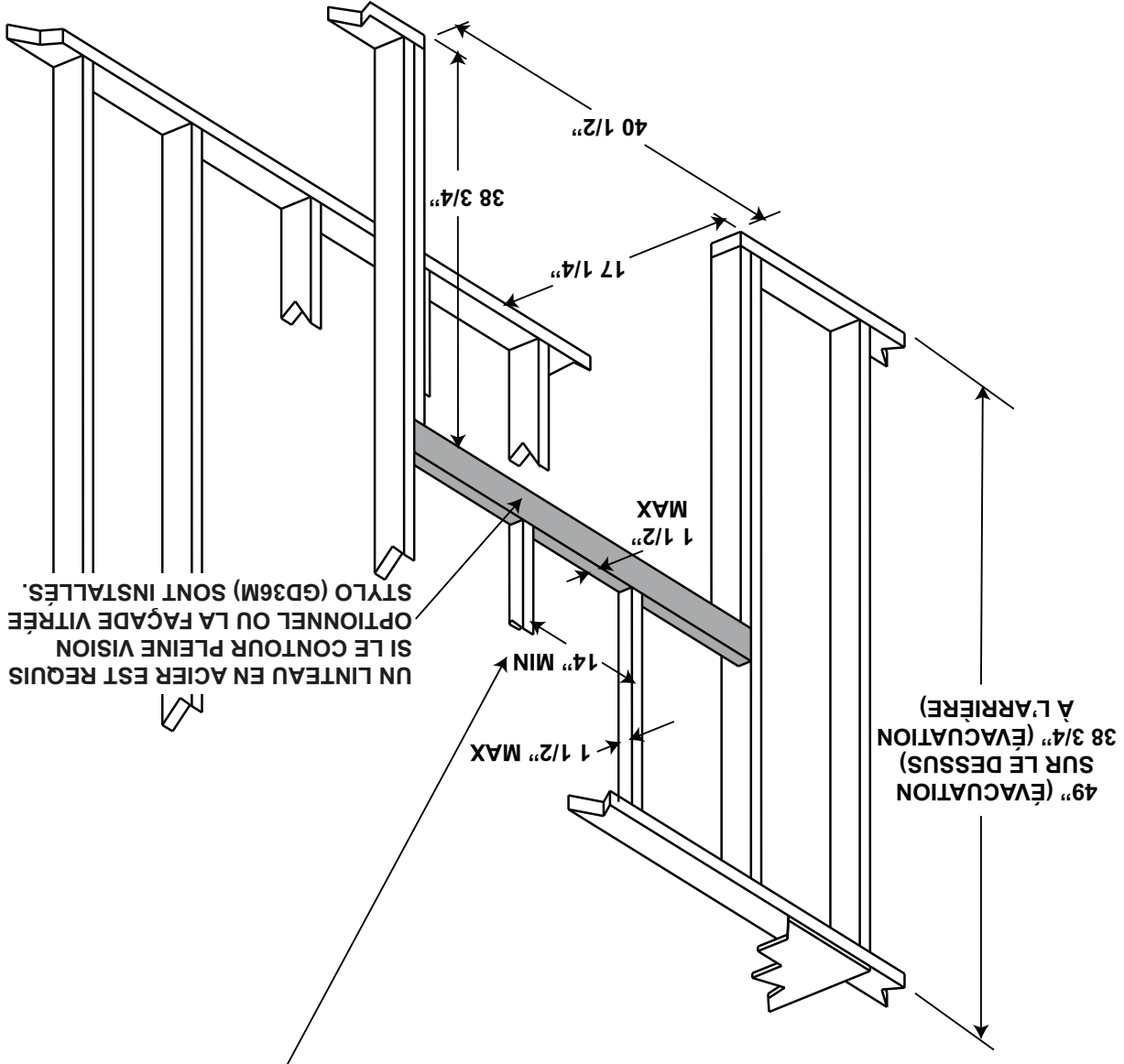


6.2.1 INSTALLATION DU LINTEAU EN ACIER POUR LE CONTOUR PLEINE VISION ET LA FAÇADE VITRÉE STYLO



IMPORTANT : Pour permettre l'ouverture de la porte, les matériaux de finition ne doivent pas déborder dans cet espace.





AVERTISSEMENT

POUR DES APPLICATIONS AVEC ÉVACUATION SUR LE DESSUS : NE CONSTRUISEZ RIEN DANS CET ESPACE DE 14 PO DE LARGEUR, CENTRÉ LE LONG DE L'APPAREIL. CET ESPACE DOIT RESTÉ LIBRE AFIN D'OFFRIR UN DÉGAGEMENT ADÉQUAT POUR L'ÉVACUATION. AUCUN MATÉRIAU COMBUSTIBLE N'EST PERMIS.

6.2 DIMENSIONS MINIMALES DE L'OSSATURE

Dégagements minimaux de l'appareil aux matériaux combustibles :

Ossature incombustible :
 Dessus

Ossature combustible :
 Côtés, arrière, bas de l'appareil

- 0" à l'arrière.
 - 3 1/2" aux espaceurs si un contour pleine vision est utilisé.

Finition combustible :

Côtés, bas et dessus
 Dessus de l'enceinte
 Profondeur de l'enclave
 Haut, côtés et bas du conduit d'évacuation*
 - 2"
 - 54" du bas de l'appareil.

*** SECTIONS D'ÉVÉNEMENTS HORIZONTALES** - Un dégagement minimal aux matériaux combustibles de 1" au-dessus et sur les côtés, et de 2" sur le dessus de l'événement doit être maintenu sur toutes les courses horizontales. Utilisez l'espaceur coupe-feu W010-1777 (fourni).

*** SECTIONS D'ÉVÉNEMENTS VERTICALES** - Un dégagement minimal aux matériaux combustibles de 1" est requis sur toutes les courses verticales à l'exception des dégagements à l'intérieur de l'enceinte de l'appareil. Voir la section « DÉGAGEMENTS MINIMAUX DE L'ENCEINTE ». Utilisez l'espaceur coupe-feu W500-0096 (non fourni).

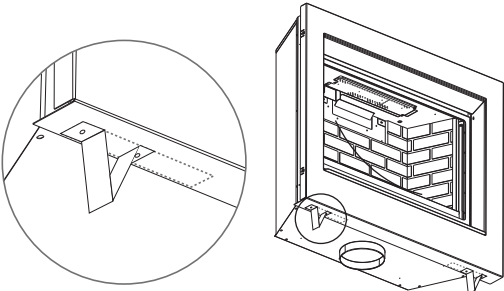
6.1 INSTALLATION DES ESPACEURS

Deux espaceurs sont fournis avec ces appareils. Pour des raisons pratiques, les espaceurs sont expédiés à plat et placés sur la partie supérieure de la façade de l'appareil. Avant de construire l'ossature, assurez-vous que les espaceurs sont pliés vers le haut et fixés en place à l'aide de vis afin d'obtenir une hauteur de 4,5".


NOTE : L'information et les dimensions dans cette section représentent les dégagements minimaux aux matériaux combustibles.

Il est préférable de construire l'ossature après que l'appareil est en place et que le système d'évacuation est installé. Utilisez des pièces de bois de 2"x4" et construisez conformément aux exigences des codes du bâtiment locaux.

Un linteau en acier est requis si le contour pleine vision optionnel est installé.



6.0 OSSATURE

 AVERTISSEMENT
RISQUE D'INCENDIE!
<p>AFIN D'ÉVITER LA POSSIBILITÉ QUE DE L'ISOLATION OU UN COUPE-VAPEUR ENTRENT EN CONTACT AVEC L'EXTÉRIEUR DU CAISSON, IL EST CONSEILLÉ D'INSTALLER L'APPAREIL CONTRE DES MURS FINIS (C.-À-D. PANNÉAU DE Gypse) COMME TOUT AUTRE MUR DE LA MAISON. CE CI ASSURERA QUE LE DÉGAGEMENT AUX MATÉRIEAUX COMBUSTIBLES EST MAINTENU.</p>
<p>NÉ FAITES PAS D'ENTAILLES À L'OSSATURE AUTOUR DES ESPACEURS. NÉ PAS MAINTENIR LES DÉGAGEMENTS PEUT CAUSER UNE SURCHAUFFE ET UN INCENDIE. EMPÊCHEZ TOUT CONTACT AVEC DE L'ISOLANT QUI S'AFFAÏSSE, AVEC L'OSSATURE OU AVEC TOUT AUTRE MATÉRIAU COMBUSTIBLE. BLOQUEZ L'ENTRÉE DE L'ENCAINTE POUR EMPÊCHER L'INFILTRATION D'ISOLANT SOUFFLE. ASSUREZ-VOUS QUE L'ISOLATION ET LES AUTRES MATÉRIEAUX SONT BIEN FIXÉS.</p>
<p>LORSQUE VOUS CONSTRUISEZ L'ENCAINTE, PRÉVOYEZ L'ÉPAISSEUR DES MATÉRIEAUX DE FINITION POUR MAINTENIR LES DÉGAGEMENTS. SI L'OSSATURE OU LES MATÉRIEAUX DE FINITION SE TROUVENT À UNE DISTANCE INFÉRIEURE À CELLE INDICUÉE, ILS DOIVENT ÊTRE FAITS ENTièrement DE MATÉRIEAUX NON COMBUSTIBLES. LES MATÉRIEAUX FAITS ENTièrement D'ACIER, DE FER, DE BRIQUE, DE TUILLE, DE BÉTON, D'ARDOISE, DE VÈRE OU DE PLÂTRE, OU D'UNE COMBINAISON DE CES MATÉRIEAUX, SONT APPROPRIÉS. LES MATÉRIEAUX RÉPONDANT À LA NORME ASTM E 136, MÉTHODE DE TEST STANDARD DU COMPORTEMENT DES MATÉRIEAUX DANS UNE FOURNAISE AVEC TUBÉ VERTICAL À 750 °C, ET À LA NORME UL763 SONT CONSIDÉRÉS COMME ÉTANT DES MATÉRIEAUX NON COMBUSTIBLES.</p>
<p>AFIN D'ÉVITER UN RISQUE D'INCENDIE, LES DÉGAGEMENTS MINIMAUX AUX MATÉRIEAUX COMBUSTIBLES DOIVENT ÊTRE MAINTENUS.</p>
<p>L'ENCAINTE DE L'APPAREIL DOIT RESPECTER LA HAUTEUR MINIMALE REQUISE. MESUREZ À PARTIR DE LA BASE DE L'APPAREIL.</p>
<p>SI DES ENSEMBLES DE MONTANTS EN ACIER AVEC PANNÉAU DE CIMENT SONT FOURNIS, ILS DOIVENT ÊTRE INSTALLÉS.</p>

71.1

Il est préférable de construire l'ossature après que l'appareil est en place et que le système d'évacuation est installé. Construisez conformément aux exigences des codes du bâtiment locaux.

Il n'est pas nécessaire d'installer une base de protection avec ce type d'appareil.

Lorsque vous mettez l'appareil en place, surélevez-le de façon à prévoir l'épaisseur du plancher fini, c.-à-d. tuiles, tapis ou bois franc, car s'ils n'ont pas été prévus, ils nuiront à l'ouverture de la porte d'accès inférieure et à l'installation de plusieurs ensembles de contours.

Les matériaux combustibles peuvent être installés à égalité avec le devant de l'appareil, mais ils ne doivent recouvrir aucune surface peinte en noir du devant de l'appareil. Les matériaux incombustibles (briques, pierres, carreaux de céramique) peuvent empêcher sur la partie noire.

5.9 INTERRUPTEUR MURAL OPTIONNEL À L'EXCEPTION DU MODÈLES BGD36CFG ET GD36M

30.1A

- L'installation et l'entretien doivent être effectués par un installateur qualifié.
- Mettez l'appareil en place et fixez-le.
 - Si l'appareil est muni d'un raccord flexible, l'appareil est conçu pour recevoir une conduite de gaz de 1/2". Sans raccord flexible, l'appareil est conçu pour recevoir une conduite de gaz de 3/8". L'appareil est muni d'une soupape d'arrêt manuelle pour fermer l'alimentation en gaz.
 - Branchez le gaz en conformité avec les codes locaux. En l'absence de codes locaux, l'installation doit être conforme au Code d'installation du gaz CAN/CSA-B149.1 dans sa version pour le Canada ou le National Fuel Gas Code, ANSI Z223.1 / NFPA 54 pour les États-Unis.
 - Lorsque vous manipulez des conduites de gaz, soutenez la soupape de gaz pour éviter que les conduites ne se plient.
 - Le raccord flexible de l'alimentation en gaz devrait être suffisamment mobile pour permettre de placer l'assemblage du brûleur sur le côté.
 - Vérifiez pour des fuites de gaz en appliquant une solution d'eau savonneuse. **N'utilisez pas une flamme nue.**

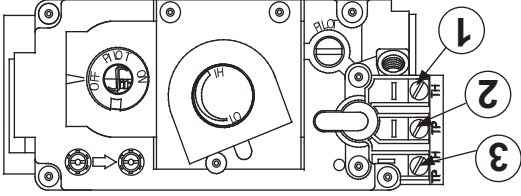
⚠ AVERTISSEMENT

NE RACCORDEZ PAS L'INTERRUPTEUR MURAL, LE THERMOSTAT OU LA SOUPAPE DE GAZ À L'ALIMENTATION ÉLECTRIQUE DE 110 VOLTS.

Pour faciliter l'accès, un interrupteur mural ou un thermostat optionnel peut être installé à un endroit pratique. Passez un fil millivoit à deux brins (noyau solide) de la soupape à l'interrupteur mural ou au thermostat millivoit. La longueur maximale dépend du calibre du fil :

DIAMÈTRE DU FIL LONGUEUR MAX.

calibre 14	100 pieds
calibre 16	60 pieds
calibre 18	40 pieds



Déconnectez les fils des bornes 1 et 3 (de l'interrupteur marche/arrêt) et remplacez-les par les fils de l'interrupteur mural/thermostat millivoit.

50.1

AVERTISSEMENT
RISQUE D'INCENDIE, D'EXPLOSION OU D'ASPHYXIE. ASSUREZ-VOUS QU'IL N'Y AIT AUCUNE SOURCE D'ALLUMAGE COMME DES ÉTINCELLES OU UNE FLAMME NUE.
SOUTENEZ LE CONTRÔLE DU GAZ LORSQUE VOUS ATTACHEZ LE TUYAU POUR ÉVITER DE PLIER LA CONDUITE DE GAZ.
ALLUMEZ TOUJOURS LA VEILLEUSE, QUE CE SOIT POUR LA PREMIÈRE FOIS OU LORSQUE L'APPROVISIONNEMENT EN GAZ EST ÉPUISÉ, AVEC LA PORTE VITRÉE OUVERTE OU RETIRÉE. LA PURGE DOIT ÊTRE EFFECTUÉE PAR UN TECHNICIEN QUALIFIÉ. ASSUREZ-VOUS QUE L'ARRIVÉE DE GAZ AU BRÛLEUR EST CONTINUE AVANT DE FERMER LA PORTE. ASSUREZ-VOUS D'UNE VENTILATION ADEQUATE. POUR LES EMPLACEMENTS DE L'ENTRÉE DU GAZ ET DE L'ENTRÉE ÉLECTRIQUE, VOIR LA SECTION « DIMENSIONS ».
LORSQUE LE BRANCHEMENT EST TERMINÉ, TOUTS LES RACCORDS DE GAZ DOIVENT SE TROUVER À L'INTÉRIEUR DU FOYER.
LES PRESSIONS ÉLEVÉES ENDOMMAGERONT LA SOUPAPE. L'ALIMENTATION EN GAZ DOIT ÊTRE DÉBRANCHÉE PENDANT LES ESSAIS DE PRESSION DE CE SYSTÈME LORSQUE LES PRESSIONS D'ESSAI EXCÈDENT $\frac{1}{2}$ LB/PO ² (3,5 KPA).
LES RÉGLAGES DE LA SOUPAPE ONT ÉTÉ FAITS EN USINE; NE LES MODIFIEZ PAS.

5.8

BRANCHEMENT DU GAZ

29.1

Ensembles de conversion
 L'appareil pour maison mobile peut être converti au gaz naturel (GN) ou au propane (PL). Pour effectuer une conversion, veuillez consulter votre détaillant autorisé.

Cet appareil est certifié pour être installé dans une maison mobile installée de façon permanente, sauf si les codes locaux l'interdisent. Cet appareil ne doit être utilisé qu'avec le type de gaz indiqué sur la plaque d'homologation. On ne peut utiliser cet appareil avec d'autres types de gaz, sauf si un ensemble de conversion certifié est utilisé.

Cet appareil homologué pour les maisons mobiles et préfabriquées possède des éléments de fixation. L'appareil est muni de deux trous de $\frac{1}{4}$ " de diamètre, situés aux coins avant, gauche et droit de la base. Lors d'une installation dans une maison mobile, l'appareil doit être fixé au plancher. Fixez à l'aide de vis #10 à tête hexagonale insérées dans les trous de la base. Éteignez toujours la veilleuse et l'alimentation en gaz à la source avant de déplacer la maison mobile. Après avoir déplacé la maison mobile et avant d'allumer l'appareil, assurez-vous que les bûches sont placées correctement.

Cet appareil est certifié pour être installé comme équipement d'origine (OEM) dans une maison préfabriquée ou une maison mobile. Son installation doit être effectuée en respectant les directives du fabricant et le Manufactured Home Construction and Safety Standard, Titre 24 CFR, Part 3280, aux États-Unis, ou les normes actuelles pour les maisons mobiles, CAN/CSA Z240 SÉRIE MH, au Canada. Cet appareil ne doit être utilisé qu'avec le type de gaz indiqué sur la plaque d'homologation. Un ensemble de conversion est fourni avec l'appareil pour maison mobile.

5.7

INSTALLATION DANS UNE MAISON MOBILE

5.6.1 INSTALLATION DE LA TERMINAISON VERTICALE

NOTE : Avant de fixer les coudes aux collets à l'arrière de l'appareil, enlevez 1 1/2" au collet de 4".
ÉVACUATION A L'ARRIERE : Raccordez les coudes de 4" et 7" à l'appareil et fixez-les à l'aide de trois vis. Scellez les joints et les têtes de vis avec du scellant à haute température. Passez ensuite à l'étape A

ÉVACUATION SUR LE DESSUS :

A. Mettez l'appareil en place.

B. Fixez le support de toit au toit à l'aide des vis fournies. Le support de toit est optionnel. Dans ce cas, les événements doivent être supportés adéquatement soit en utilisant une méthode alternative se conformant aux normes des autorités compétentes, soit en utilisant le support de toit optionnel.

C. Appliquez du scellant à haute température W573-0007 (non fourni) sur le rebord extérieur du manchon intérieur de la terminaison.

D. Appliquez du scellant à haute température W573-0002 (non fourni) sur le rebord extérieur du manchon extérieur de la bague.

E. Faites passer le montage de terminaison/conduits d'accouplement intérieur.

F. d'accouplement intérieur.

G. d'écoulement extérieur à égalité avec l'extrémité de la bague sur le manchon et fixé comme auparavant. Taillez la bague de terminaison. Glissez la bague d'accouplement extérieur (fourni) sur le rebord extérieur du manchon extérieur de terminaison.

H. Appliquez du scellant à haute température W573-0002 (non fourni) sur le rebord extérieur du manchon extérieur de terminaison.

I. Glissez la bague d'accouplement sur au moins 2" du manchon et fixez-la à l'aide de trois vis.

J. Appliquez du scellant à haute température W573-0002 (non fourni) sur le rebord extérieur du manchon intérieur de la terminaison.

K. Glissez la bague d'accouplement sur au moins 2" du manchon et fixez-la à l'aide de trois vis.

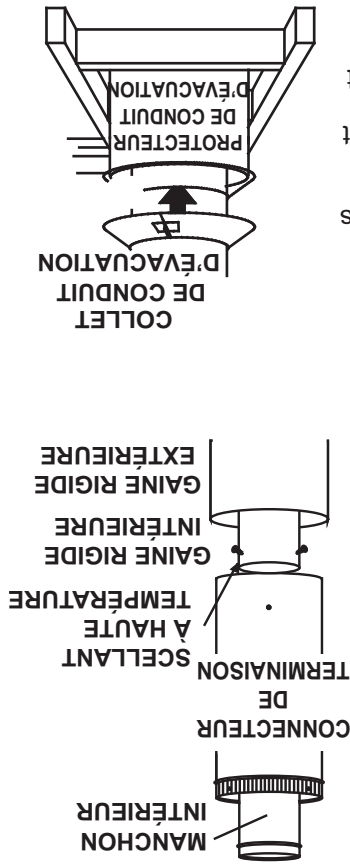
L. Appliquez du scellant à haute température W573-0007 (non fourni) sur le rebord extérieur du manchon intérieur de la terminaison.

M. Appliquez un joint de scellant à haute température W573-0007 (non fourni) sur le côté extérieur du manchon télescopique sur une longueur d'au moins 2" par-dessus le coude.

N. Procédez de la même façon avec le manchon télescopique extérieur.

O. Dans le grenier, faites glisser le collet de conduit d'évacuation vers le bas afin de recouvrir l'extrémité ouverte du protecteur de conduit d'évacuation et serrez. Ceci empêchera tout matériau, tel que l'isolant, de remplir l'espace vide de 1" autour de l'évent.

27.1



F. Enlevez les crous des bardeaux sur le dessus et les côtés du connecteur. Le connecteur de terminaison doit être vertical et d'aplomb. Appliquez du scellant à haute température W573-0007 (non fourni) sur le rebord extérieur du manchon extérieur de terminaison.

G. Appliquez un générateur joint de caiffeurage à l'épreuve de l'eau à 2" au-dessus du solin. Installez le collet de solin autour du connecteur de terminaison et le collet.

H. Serrez afin d'étanchéifier entre le connecteur de terminaison et le collet.

I. Continuez d'ajouter des sections rigides d'évacuation, fixez et scellez comme ci-dessus. Installez le manchon télescopique intérieur à la dernière section du conduit rigide. Fixez-le avec des vis et scellez.

J. Procédez de la même façon en utilisant le manchon télescopique extérieur.

K. Appliquez du scellant à haute température W573-0007 (non fourni) sur le côté extérieur du manchon télescopique sur une longueur d'au moins 2" par-dessus le coude.

L. Appliquez un joint de scellant à haute température W573-0007 (non fourni) sur le côté extérieur du manchon télescopique sur une longueur d'au moins 2" par-dessus le coude.

M. Appliquez du scellant à haute température W573-0007 (non fourni) sur le côté extérieur du manchon télescopique sur une longueur d'au moins 2" par-dessus le coude.

N. Procédez de la même façon avec le manchon télescopique extérieur.

O. Dans le grenier, faites glisser le collet de conduit d'évacuation vers le bas afin de recouvrir l'extrémité ouverte du protecteur de conduit d'évacuation et serrez. Ceci empêchera tout matériau, tel que l'isolant, de remplir l'espace vide de 1" autour de l'évent.

5.6 TERMINAISON VERTICALE À TRAVERS UNE CHEMINÉE EXISTANTE

AVERTISSEMENT RISQUE D'INCENDIE!
LES CONFIGURATIONS D'ÉVACUATION COAXIALES À COLINÉAIRES NE DOIVENT ÊTRE UTILISÉES QUE DANS UNE CHEMINÉE OU UNE ENCEINTE DE NATURE INCOMBUSTIBLE. UNE INSTALLATION DANS UNE ENCEINTE COMBUSTIBLE PEUT CAUSER UN INCENDIE.

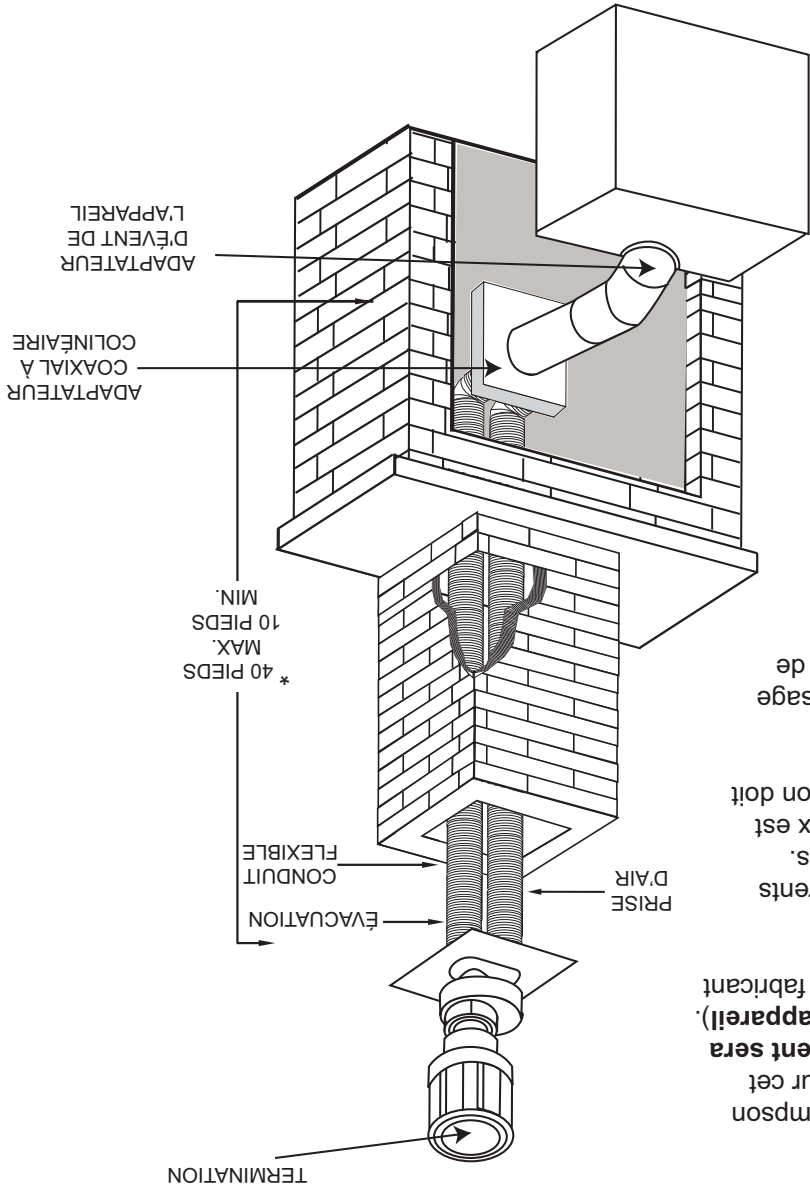
Cet appareil est conçu pour être raccordé à un système d'évent flexible colinéaire de 3" en aluminium se prolongeant sur toute la longueur de la cheminée de maçonnerie.

Les conduits flexibles s'adaptent à tous les contours d'une cheminée de maçonnerie. Néanmoins, vous devez garder les conduits flexibles aussi droit que possible. Le collet de prise d'air de la terminaison doit être raccordé au conduit flexible de prise d'air et le collet d'évacuation de la terminaison au conduit flexible d'évacuation.

Les adaptateurs colinéaire à coaxial Simpson Duravent et Selkirk sont approuvés pour cet appareil (**NOTE : Un adaptateur d'évent sera nécessaire directement à partir de l'appareil**). Suivez les instructions d'installation du fabricant du système d'évacuation.

Des composants d'évacuation de différents fabricants ne doivent pas être combinés. Une fois que l'adaptateur de votre choix est installé, le reste du système d'évacuation doit provenir du même fabricant.

La seule exception à cette règle est l'usage du système de conduit flexible de 3" et de terminaison colinéaire Wolf Steel.



7.6

5.5.2 INSTALLATION DE LA TERMINAISON HORIZONTALE PROLONGÉE

AJUSTABLE

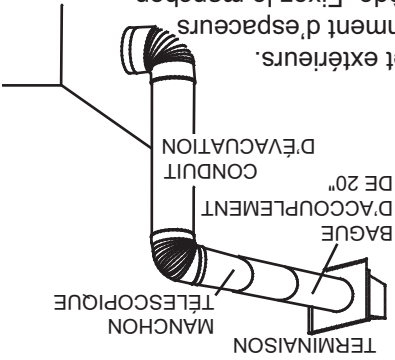
Une installation en coin de 45° peut avoir une élévation de 0" entre le collet d'air de combustion de l'appareil et la terminaison. Dans ce cas, les longueurs de l'évent ne doivent pas dépasser 24". Pour des longueurs d'évent horizontales plus grandes, une élévation verticale d'un minimum de 24" est requise.

A. Suivez les instructions aux étapes A à C dans « Installation de la terminaison horizontale ».

B. Continuez d'ajouter des composants en alternant les conduits intérieurs et extérieurs. Assurez-vous que tous les conduits intérieurs et les coudes aient suffisamment d'espaces et que chaque composant est scellé et fixé solidement à celui qui le précède. Fixez le manchon télescopique à la course de l'évent. Fixez solidement et scellez. Pour faciliter l'achèvement, fixez des bagues d'accouplement intérieures et extérieures à la terminaison.

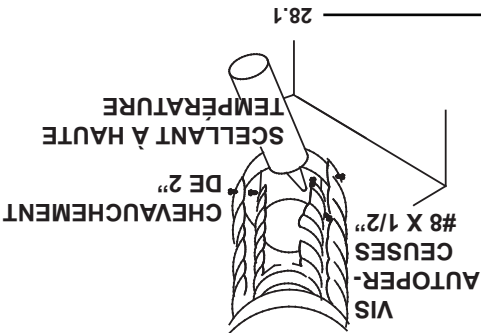
C. Installez la terminaison. Voir l'étape 3 dans « Installation de la terminaison horizontale ». Étirez le manchon télescopique extérieur et raccordez-le à la terminaison. Fixez le manchon avec des vis auto-perçuses et scellez.

48.2



5.4.3 RACCORDEMENT DES ÉVENTS À L'APPAREIL

- A. Raccordez la gaine flexible de 8" de diamètre à l'appareil. Fixez-la à l'aide de trois vis et de trois rondelles. Scellez le joint et les têtes de vis avec le scellant à haute température W573-0007 (non fourni).
- B. Raccordez la gaine flexible de 10" de diamètre à l'appareil. Fixez et scellez les joints avec le scellant à haute température W573-0002 (non fourni).



28.1

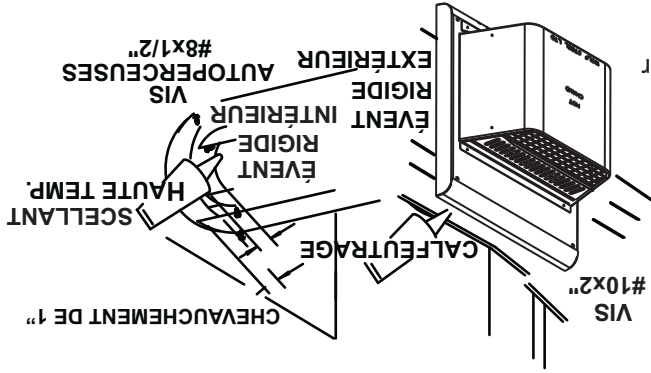
5.5 UTILISATION DE COMPOSANTS RIGIDES D'ÉVACUATION

Le système d'évacuation doit être soutenu à peu près tous les 3 pieds de courses verticales et horizontales. Utilisez l'ensemble de support mural Wolf Steel ou des supports incombustibles équivalents afin de conserver le dégagement minimal aux matériaux combustibles pour les courses verticales et horizontales.

Tous les joints des conduits intérieurs peuvent être scellés avec du scellant de silicone rouge à haute température W573-0002 (non fourni) ou du scellant noir à haute température Milll Pac W573-0007 (non fourni) à l'exception du raccordement du conduit d'évacuation à la buse de l'appareil qui doit être scellé avec le scellant Milll Pac.

5.5.1 INSTALLATION DE LA TERMINAISON HORIZONTALE

- A. Mettez l'appareil en place. Mesurez la longueur d'évent requise entre la terminaison et l'appareil en tenant compte de la longueur supplémentaire nécessaire pour la surface du mur fini et tout chevauchement de 1/4" entre les composants d'évacuation.
- B. Appliquez du scellant à haute température W573-0007 (non fourni) sur le rebord extérieur du collet intérieur de l'appareil. Installez le premier évent et fixez-le en utilisant 3 vis autoperceuses. Procédez de la même façon avec l'évent rigide extérieur.



- C. Insérez les deux événements dans l'espaceur coupe-feu, en respectant les dégagements aux combustibles requis. En soutenant la terminaison (les inscriptions étant à l'endroit et lisibles), fixez-la au mur extérieur et rendez-la étanche en la scellant avec du calfeutrage (non fourni).

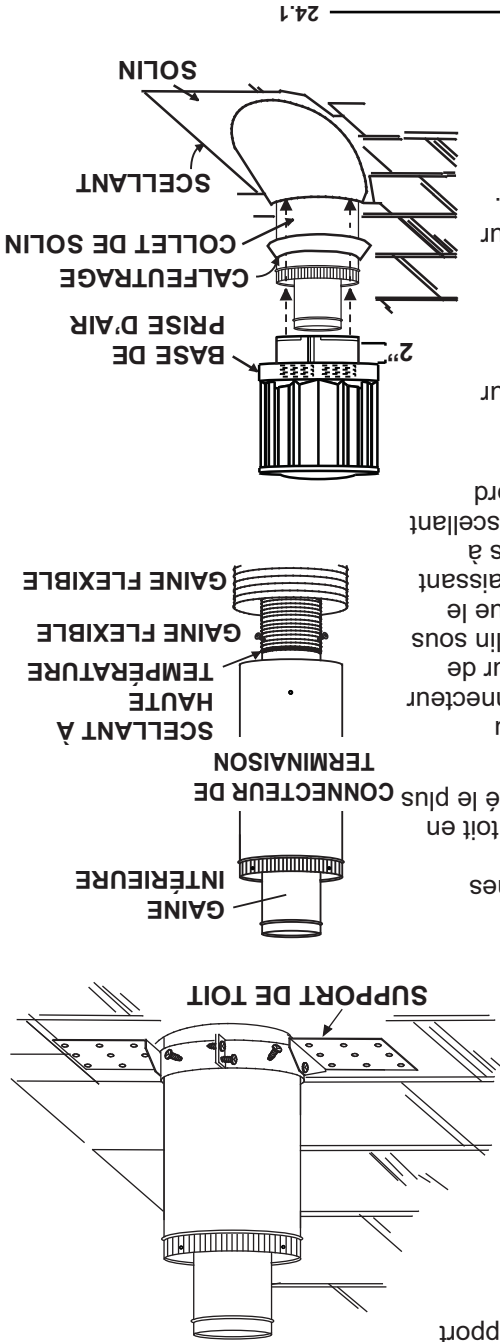
La plaque de montage de la terminaison peut être encastrée dans le mur ou le revêtement extérieur, sans excéder l'épaisseur de la bride.

26.1

5.4.2 INSTALLATION DE LA TERMINAISON VERTICALE

1 AVERTISSEMENT
 CONSERVEZ UN ESPACE MINIMAL DE 2" ENTRE LA BASE DE LA PRISE D'AIR ET LE COLLET DE SOLIN.

- A. Fixez le support de toit au toit à l'aide des vis fournies. Le support de toit est optionnel. Dans ce cas, l'évent doit être supporté adéquatement soit en utilisant une méthode alternative se conformant aux normes des autorités compétentes, soit en utilisant le support de toit optionnel.
- B. Étirez la gaine flexible intérieure à la longueur requise. Glissez la gaine flexible intérieure sur le manchon intérieur du connecteur de terminaison en assurant un chevauchement minimal de 2" et fixez à l'aide de trois vis #8. Scellez en appliquant un généreux joint de scellant à haute température W573-0007 (non fourni).
- C. Installez la gaine flexible extérieure de la même façon et scellez en appliquant un généreux joint de scellant à haute température W573-0002 (non fourni).
- D. Faites passer le montage du connecteur de terminaison/gaines flexibles à travers le toit. La terminaison doit être verticale et daplomb. Fixez le connecteur de terminaison au support de toit en vous assurant que le dessus de la terminaison excède le côté le plus élevé du toit d'au moins 16" une fois fixée.
- E. Enlevez les clous des bardaux sur le dessus et les côtés du connecteur de terminaison. Placez le solin par-dessus le connecteur de terminaison visible au-dessus du haut du solin. Glissez le solin sous les côtés et le bord supérieur des bardaux. Assurez-vous que le connecteur de terminaison est bien centré dans le solin, en laissant une marge de 3/4" tout autour. Fixez-le au toit. Ne clouez pas à travers la partie inférieure du solin. Imperméabilisez-le en le scellant avec du calfeutrage. Si possible, recouvrez les côtés et le bord supérieur du solin avec des matériaux de couverture.
- F. Alignez les joints de la terminaison et du connecteur de terminaison et placez la terminaison par-dessus le connecteur de terminaison en vous assurant que le manchon pénètre dans le trou de la terminaison. Fixez à l'aide des trois vis fournies.
- G. Appliquez un généreux joint de calfeutrage à l'épave de l'eau à 2" au-dessus du solin. Installez le collet de solin autour de la terminaison et glissez-le jusqu'à la ligne de calfeutrage. Serrez afin d'assurer l'étanchéité entre la terminaison et le collet.
- H. Si plus de sections de gaine doivent être utilisées pour atteindre l'appareil, voir la section « INSTALLATION DE LA TERMINAISON HORIZONTALE ».



5.4 UTILISATION DES COMPOSANTS FLEXIBLES D'ÉVACUATION

AVERTISSEMENT

NE LAISSEZ PAS LA GAINE FLEXIBLE SE TASSER CONTRE LES COURSES HORIZONTALES OU VERTICALES ET LES COUDES. GARDEZ-LA TENDUE.

DES ESPACEURS SONT FIXÉS À LA GAINÉ FLEXIBLE À INTERVALLES PRÉDÉTERMINÉS AFIN DE GARDER UN ESPACE VIDE AVEC LE CONDUIT EXTERIEUR. POUR QUE LE FONCTIONNEMENT SOIT SÉCURITAIRE, UN ESPACE VIDE EST REQUIS. UN ESPACEUR EST REQUIS AU DÉBUT, AU MILIEU ET À LA FIN DE CHAQUE COUDE AFIN DE MAINTENIR CET ESPACE VIDE. N'ENLEVEZ PAS CES ESPACEURS.

Afin d'assurer une opération sécuritaire et adéquate de l'appareil, vous devez observer les instructions d'évacuation à la lettre.

Tous les joints des conduits flexibles intérieurs et extérieurs peuvent être scellés avec le scellant à haute température W573-002 (non fourni) ou du scellant à haute température Mill Pac W573-007 (non fourni). Cependant, le raccordement du conduit flexible intérieur à la buse de l'appareil doit être scellé avec le scellant Mill Pac W573-007 (non fourni).

N'utilisez que les ensembles certifiés de gaines flexibles portant l'inscription :



« Wolf Steel Approved Venting » tel qu'estampillée sur la gaine flexible extérieure.

22.1

5.4.1 INSTALLATION DE LA TERMINAISON HORIZONTALE

A. Étirez la gaine flexible intérieure à la longueur requise en tenant compte de la longueur supplémentaire pour la surface du mur fini. Appliquez un généreux joint de scellant à haute température W573-0007 Mill Pac (non fourni). Glissez la gaine flexible sur le manchon intérieur de la terminaison en assurant un chevauchement minimal de 2" et fixez à l'aide de trois vis #8.

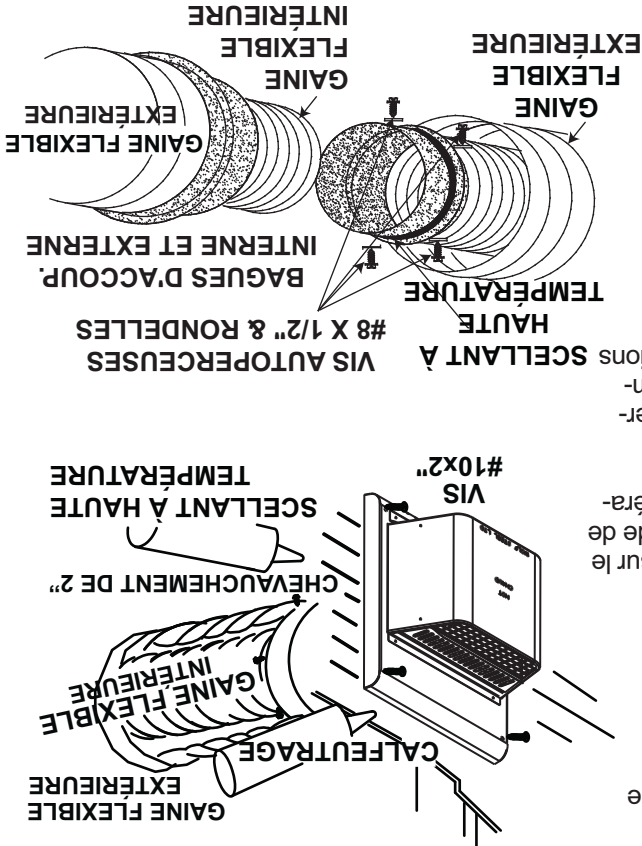
B. Installez la gaine flexible extérieure en la glissant sur le manchon extérieur de la terminaison et fixez à l'aide de trois vis #8. Scellez avec du scellant à haute température W573-0002 (non fourni).

C. Insérez les gaines dans le coupe-feu tout en conservant le dégagement nécessaire aux matériaux combustibles. En soutenant la terminaison (les inscriptions étant à l'endroit et lisibles), fixez la terminaison au mur extérieur et rendez-la étanche en la scellant avec du caiffeurage (non fourni).

D. Si plus de sections de gaine doivent être utilisées pour atteindre l'appareil, raccordez-les ensemble tel qu'illustré. Le système d'évacuation doit être soutenu à environ tous les 3 pieds pour les courses verticales et horizontales. Utilisez des supports incombustibles afin de maintenir le dégagement minimal de 1 po avec les matériaux combustibles.

Les terminaisons ne doivent pas être encastrées dans un mur ou un revêtement extérieur plus que l'épaisseur de la bride de montage.

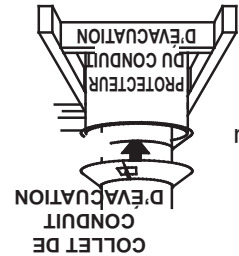
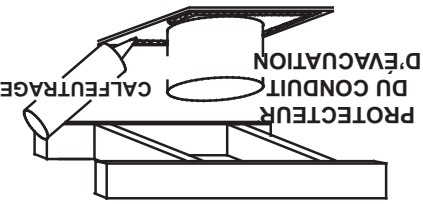
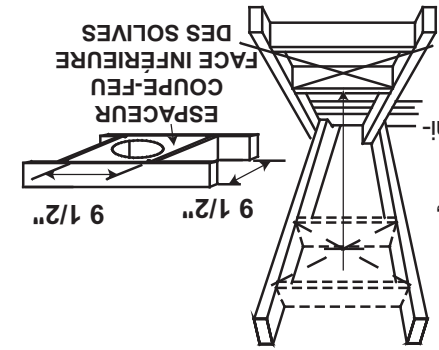
23.1A



5.3 INSTALLATION VERTICALE

Cette configuration s'applique lorsque l'évacuation se fait à travers un toit. Des ensembles d'installation pour les différentes pentes de toit sont disponibles chez votre détaillant autorisé. Voir la section « Accessoires » pour commander l'ensemble spécifique dont vous avez besoin.

A. Une fois que vous aurez déterminé l'emplacement de la terminaison, découpez et charpentez une ouverture dans le plafond et le toit pour laisser le dégagement minimal de 1" entre le conduit d'évent et tout matériau combustible. Essayez de positionner le conduit d'évent à mi-chemin entre deux solives pour ne pas être obligé de les couper. Utilisez du fil à plomb pour aligner le centre des ouvertures. Un protecteur de conduit d'évacuation empêchera tout matériau, tel que l'isolant, de remplir l'espace vide de 1" autour de l'évent. Fixez des entretoises entre les solives pour assurer un support supplémentaire.



B. Appliquez un joint de calfeutrage (non fourni) sur la charpente ou le protecteur de conduit d'évacuation Wolf Steel ou l'équivalent (dans le cas d'un plafond fini) et fixez le protecteur de conduit d'évacuation de façon à recouvrir l'ouverture dans le plafond. Un espaceur coupe-feu doit être fixé à la base de chaque ouverture d'évacuation dans un toit ou un plafond par lequel traverse le système charpenté dans un toit ou un plafond par lequel traverse le système d'évacuation. Appliquez un joint de calfeutrage tout autour et placez un espaceur coupe-feu par-dessus le protecteur de conduit d'évacuation pour empêcher l'arrivée d'air froid dans la pièce ou autour de l'appareil. Assurez-vous que l'espaceur coupe-feu et le protecteur de conduit d'évacuation conservent le dégagement nécessaire aux matériaux combustibles. Une fois que le conduit d'évacuation est en place, appliquez un agent d'étanchéité entre le conduit d'évacuation et l'espaceur coupe-feu.

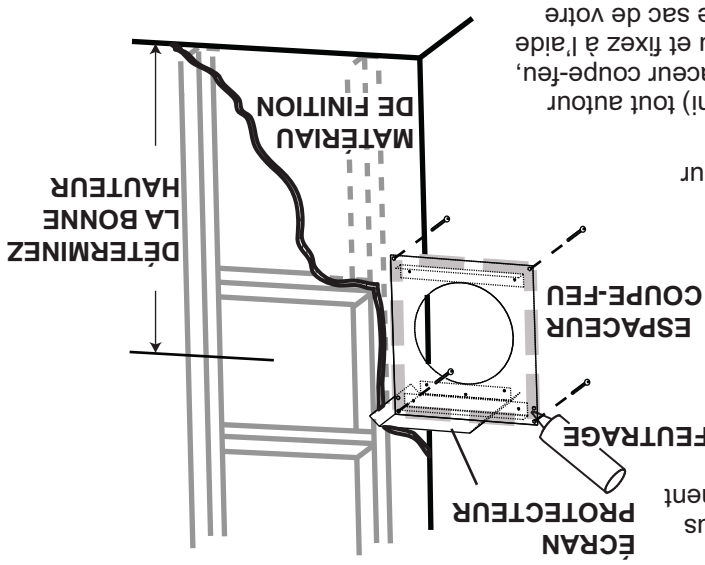
C. Dans le grenier, faites glisser le collet de conduit d'évacuation vers le bas afin de recouvrir l'extrémité ouverte du conduit d'évacuation et serrez. Ceci empêchera tout matériau, tel que l'isolant, de remplir l'espace vide de 1 po autour de l'évent.

21.1

5.2 INSTALLATION HORIZONTALE

! AVERTISSEMENT
 L'ESPACEUR COUPE-FEU DOIT ÊTRE INSTALLÉ AVEC L'ÉCRAN PROTECTEUR ORIENTÉ VERS LE HAUT.
 LA TERMINAISON NE DOIT PAS ÊTRE ENCHÂSSÉE DANS LE MUR OU LE REVÊTEMENT EXTÉRIEUR
 PLUS QUE L'ÉPAISSEUR DE LA BRIDE DE LA PLAQUE DE MONTAGE.

Cette configuration s'applique lorsque le conduit d'évent traverse un mur extérieur. Une fois que vous aurez déterminé la hauteur exacte pour l'emplacement de la terminaison, découpez et charpentez une ouverture dans le mur extérieur (comme illustré) pour permettre l'installation de l'espaceur coupe-feu. Avant de continuer, placez l'espaceur coupe-feu dans l'ouverture pour vous assurer que les supports sur la surface arrière soient placés contre la face intérieure de la pièce de charpente horizontale. L'écran protecteur peut-être taillé pour des murs combustibles qui ont moins de 8 1/2" de profond, mais doit se prolonger sur toute la profondeur du mur combustible.



A. Appliquez un joint de calfeutrage (non fourni) tout autour de la bordure de la face intérieure de l'espaceur coupe-feu, installez l'espaceur coupe-feu contre le trou et fixez à l'aide des quatre vis W570-0026 (fournies dans le sac de votre manuel).

B. Une fois que le conduit d'évent est en place, appliquez du scellant à haute température W573-0007 (non fourni) entre le conduit d'évent et l'espaceur coupe-feu.

20.2

5.0 INSTALLATION

AVERTISSEMENT

AFIN D'ASSURER UN FONCTIONNEMENT SÉCURITAIRE ET ADÉQUAT DE L'APPAREIL, VOUS DEVEZ OBSERVER LES INSTRUCTIONS D'ÉVACUATION À LA LETTRE.

TOUTS LES JOINTS DES CONDUITS INTÉRIEURS ET EXTÉRIEURS PEUVENT ÊTRE SCÉLÉS AVEC DU SCÉLLANT DE SILICONE ROUGE À HAUTE TEMPÉRATURE RTV W573-0002 (NON FOURNI) OU DU SCÉLLANT NOIR À HAUTE TEMPÉRATURE MILL PAC W573-0007 (NON FOURNI) À L'EXCEPTION DU RACCORDEMENT DU CONDUIT D'ÉVACUATION À LA BUSE DE L'APPAREIL QUI DOIT ÊTRE SCÉLÉ AVEC LE SCÉLLANT MILL PAC.

SI VOUS UTILISEZ DES COLIERS POUR TUYAU POUR RACCORDER LES COMPOSANTS D'ÉVACUATION, VOUS DEVEZ AUSSI INSTALLER TROIS VIS POUR VOUS ASSURER QUE LE RACCORDEMENT NE SE DÉFASSE PAS.

NE SERREZ PAS LA GAINÉ FLEXIBLE.

RISQUE D'INCENDIE, D'EXPLOSION OU D'ASPHYXIE. SI L'ENSEMBLE DU SYSTÈME DE CONDUIT D'ÉVENT N'EST PAS ADEQUATEMENT SOUTENU, IL RISQUE DE FLECHIR OU DE SE SÉPARER. UTILISEZ DES SUPPORTS DE CONDUIT ET RACCORDEZ LES SECTIONS DE CONDUITS SELON LES INSTRUCTIONS D'INSTALLATION.

RISQUE D'INCENDIE. ÉVITEZ QUE L'ISOLANT TOUCHE AU CONDUIT D'ÉVACUATION. RETIREZ L'ISOLANT POUR PERMETTRE L'INSTALLATION DE L'ÉCRAN PROTECTEUR DU GRENIER ET POUR MAINTENIR LES DÉGAGEMENTS AUX MATÉRIELLES COMBUSTIBLES.

5.1 PROTECTION DU MUR ET DU PLAFOND

AVERTISSEMENT

NE REMPLISSEZ L'ESPACE ENTRE LE CONDUIT D'ÉVENT ET LA CHARPENTE AVEC AUCUN TYPE DE MATÉRIEL. NE BOURREZ PAS D'ISOLANT NI DE MATÉRIEL COMBUSTIBLES ENTRE LES ESPACES COUPE-FEU DU PLAFOND. CONSERVEZ TOUJOURS LES DÉGAGEMENTS RÉQUIS AUTOUR DES CONDUITS D'ÉVENT ET L'ASSEMBLAGE DE L'ESPACEUR COUPE-FEU. INSTALLEZ LES ÉCRANS MURAUX ET LES ESPACES COUPE-FEU TEL QUE SPÉCIFIÉ. SI VOUS NE GARDEZ PAS L'ISOLANT OU TOUT AUTRE MATÉRIEL À L'ÉCART DU CONDUIT D'ÉVENT, UN RISQUE D'INCENDIE POURRAIT S'ENSUIVRE.

70.1

Voir la section « OSSATURE », pour les dégagements du conduit d'évacuation aux matériaux combustibles.

Pour une performance optimale de l'appareil, toutes les courses horizontales devraient avoir une élévation minimale de 1" par pied lorsque vous utilisez des conduits flexibles d'évacuation. Afin d'assurer un fonctionnement sécuritaire et adéquat de l'appareil, vous devez observer les instructions d'évacuation à la lettre.

4.2

OUVERTURE ET FERMETURE DE LA PORTE

Pour accéder au loquet inférieur de la porte, ouvrez la porte d'accès de la soupape, tel qu'illustré. Relâchez les loquets supérieur et inférieur situés sur le côté droit de la porte.

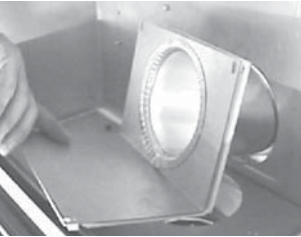


4.3

ÉVACUATION À L'ARRIÈRE

IL EST ESSENTIEL QUE LE COUVERCLE D'ÉVACUATION SOIT INSTALLÉ SINON L'APPAREIL NE FONCTIONNERA PAS CORRECTEMENT ET POURRAIT CAUSER DES BLESSURES OU DES DOMMAGES MATÉRIELS.

De l'intérieur de la chambre de combustion, insérez le conduit d'évacuation de 4" joint d'étanchéité (fourni) à travers l'arrière de la chambre de combustion. Fixez l'assemblage à l'arrière et dans le haut de l'appareil à l'aide des quatre vis à tête hexagonale Wildrill #8 x 3/4" fournies.

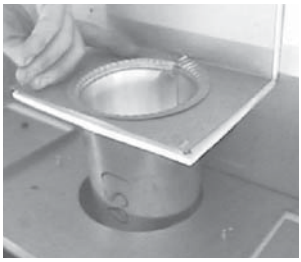


Avant de fixer les coudes aux collets à l'arrière de l'appareil, vous devrez enlever 1 1/2" au collet de 4".

4.4 ÉVACUATION SUR LE DESSUS

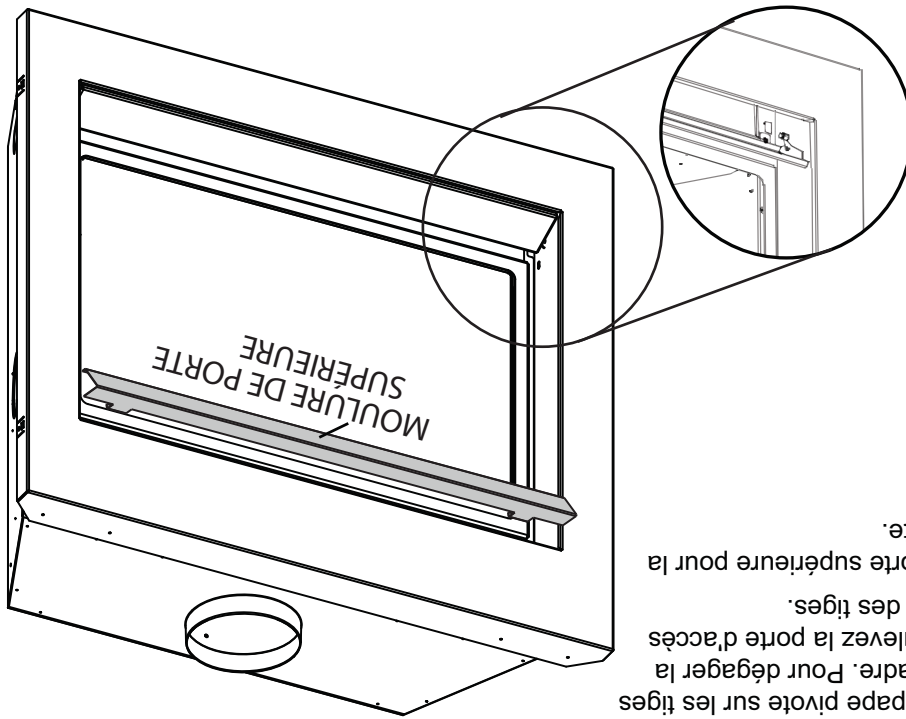
IL EST ESSENTIEL QUE LE COUVERCLE D'ÉVACUATION SOIT INSTALLÉ SINON L'APPAREIL NE FONCTIONNERA PAS CORRECTEMENT ET POURRAIT CAUSER DES BLESSURES OU DES DOMMAGES MATÉRIELS.

Retirez le couvercle d'évacuation de 7" du haut de l'appareil et fixez-le sur le collet de 7" qui se trouve à l'arrière de l'appareil. Appuyez fermement sur le couvercle d'évacuation pour assurer son étanchéité. Prenez soin de ne pas endommager le joint d'étanchéité.



Retirez la plaque qui recouvre l'ouverture du conduit d'évacuation de 4" (qui se trouve à l'intérieur du haut du collet de 7") et jetez-la. Essayez de ne pas déplacer la bague de retenue ou le joint d'étanchéité qui se trouvent en dessous. Refixez la bague et le joint d'étanchéité à l'aide des vis retirées de la plaque.

C. De l'intérieur de la chambre de combustion, insérez le conduit d'évacuation amovible de 4" à travers le joint d'étanchéité de 4" et ensuite à travers la bague de retenue. Fixez l'assemblage à l'arrière et dans le haut de l'appareil à l'aide des quatre vis à tête hexagonale Wildrill #8 x 3/4" fournies. Ne serrez pas trop les vis. Il suffit d'appuyer le joint d'étanchéité contre la chambre de combustion.



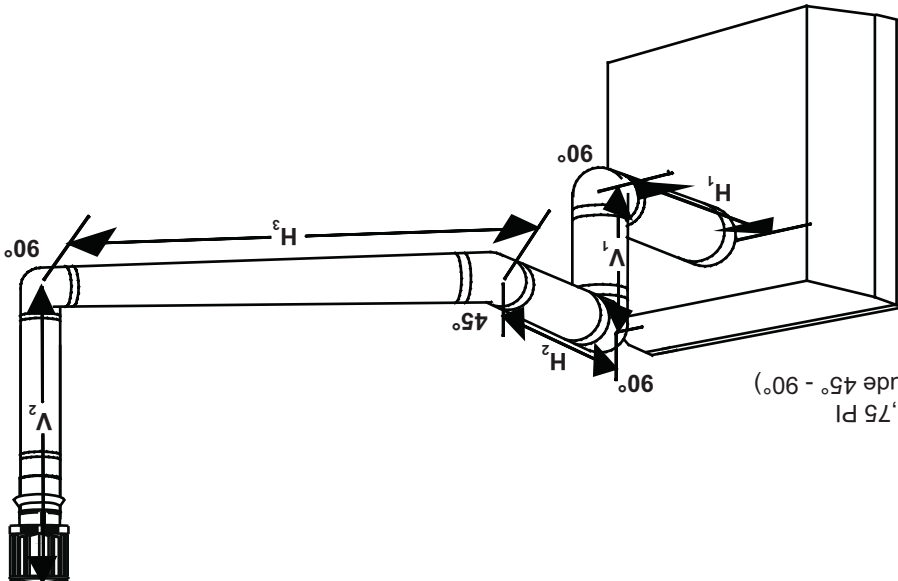
- A. La porte d'accès de la soupape pivote sur les tiges attachées sur le côté du cadre. Pour dégager la porte vitrée principale, soulevez la porte d'accès de la soupape et retirez-la des tiges.
- B. Soulevez la moulure de porte supérieure pour la dégager du haut de la porte.

4.1 ENLÈVEMENT DE LA PORTE D'ACCÈS DE LA SOUPAPE ET DE LA MOULURE DE PORTE SUPERIEURE

Pour une performance optimale, toutes les courses horizontales devraient avoir une élévation de 1" par pied.

4.0 PRÉPARATION AVANT L'INSTALLATION

Puisque les deux formules sont respectées, cette configuration d'évacuation est acceptable. 18.2_3



Exemple :

$$V_1 = 1,5 \text{ Pl}$$

$$V_2 = 5 \text{ Pl}$$

$$V_1 + V_2 = 1,5 + 1 + 5 = 6,5 \text{ Pl}$$

$$H_1 = 1 \text{ Pl}$$

$$H_2 = 1 \text{ Pl}$$

$$H_3 = 10,75 \text{ Pl}$$

$$H_r = H_1 + H_2 + H_3 = 1 + 1 + 10,75 = 12,75 \text{ Pl}$$

$$H_o = 0,03 \text{ (quatre coudes } 90^\circ \text{ + un coude } 45^\circ - 90^\circ) = 0,03 (360^\circ + 45^\circ - 90^\circ) = 6,75 \text{ Pl}$$

$$H_1 = H_r + H_o = 12,75 + 6,75 = 19,5 \text{ Pl}$$

$$H_1 + V_1 = 19,5 + 6,5 = 26 \text{ Pl}$$

Formule 1 :

$$H_1 \leq 3 V_1$$

$$3 V_1 = 3 \times 6,5 = 19,5 \text{ Pl}$$

$$19,5 = 19,5$$

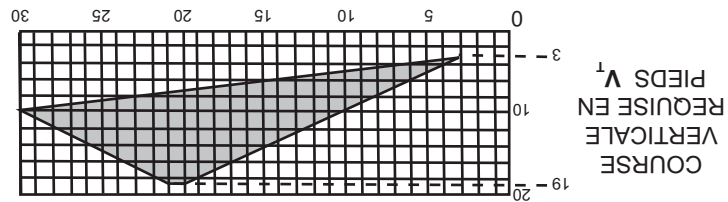
Formule 2 :

$$H_1 + V_1 \leq 40 \text{ Pl}$$

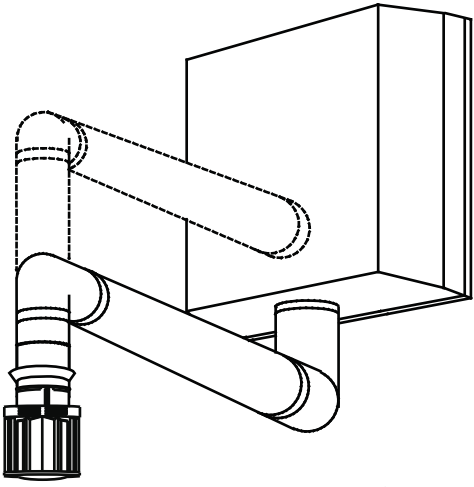
$$26 \leq 40$$

(H_t) < (V_t)

Consultez le graphique pour déterminer la course verticale nécessaire V_t par rapport à la course horizontale requise H_t.



La section ombragée à l'intérieur des lignes représente des valeurs acceptables pour H_t et V_t



Configurations d'évacuation simples.

Lorsque les configurations de l'évacuation exigent plus que zéro coude de 90° (évacuation sur le dessus) ou un coude de 90° (évacuation à l'arrière), les formules suivantes s'appliquent :

Formule 1 : $H_t \leq 3V_t$
 Formule 2 : $H_t + V_t \leq 40$ pieds

Exemple :

$V_1 = 2$ Pl
 $V_2 = 1$ Pl
 $V_3 = 1,5$ Pl
 $V_t = V_1 + V_2 + V_3 = 2 + 1 + 1,5 = 4,5$ Pl
 $H_1 = 6$ Pl
 $H_2 = 2$ Pl
 $H_3 = H_1 + H_2 = 6 + 2 = 8$ Pl
 $H_o = 0,03$ (quatre coudes 90° - 90°)
 $= 0,03$ (360° - 90°) = 8,1 Pl
 $H_t = H_r + H_o = 8 + 8,1 = 16,1$ Pl
 $H_t + V_t = 16,1 + 4,5 = 20,6$ Pl

Formule 1 : $H_t \leq 3V_t$
 $3V_t = 3 \times 4,5 = 13,5$ Pl
 $16,1 > 13,5$

Puisque cette formule n'est pas respectée, cette configuration d'évacuation est **inacceptable**.

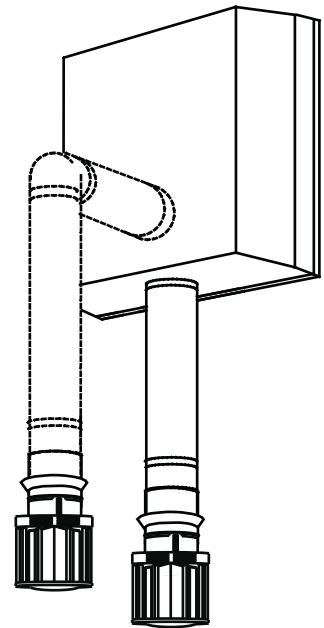
Formule 2 : $H_t + V_t \leq 40$ Pl
 $20,6 \leq 40$

Puisque seulement la formule 2 est respectée, cette configuration est inacceptable et l'on devra trouver un autre endroit pour installer l'appareil ou trouver une configuration d'évacuation qui pourra respecter les deux formules.

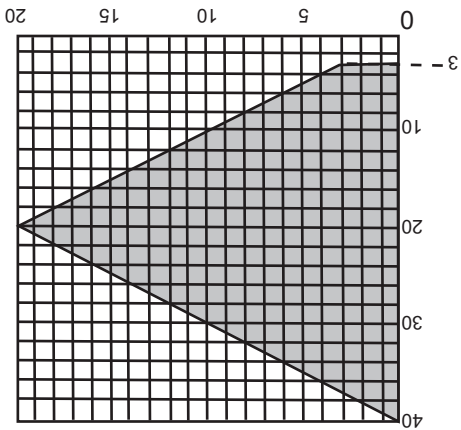
3.10 EVACUATION SUR LE DESSUS OU A L'ARRIERE TERMINAISON VERTICALE

$(H_t) \leq (V_t)$

Configurations d'évacuation simples.



Consultez le graphique pour déterminer la course verticale requise V_t par rapport à la course horizontale requise H_t .



LONGUEUR DES COURSES HORIZONTALES PLUS LES DEVIATIONS EN PIEDS H_t
 La section ombragée à l'intérieur des lignes représente des valeurs acceptables pour H_t et V_t

Lorsque les configurations de l'évacuation exigent plus que zéro coude de 90° (évacuation sur le dessus) ou un coude de 90° (évacuation à l'arrière), les formules suivantes s'appliquent :

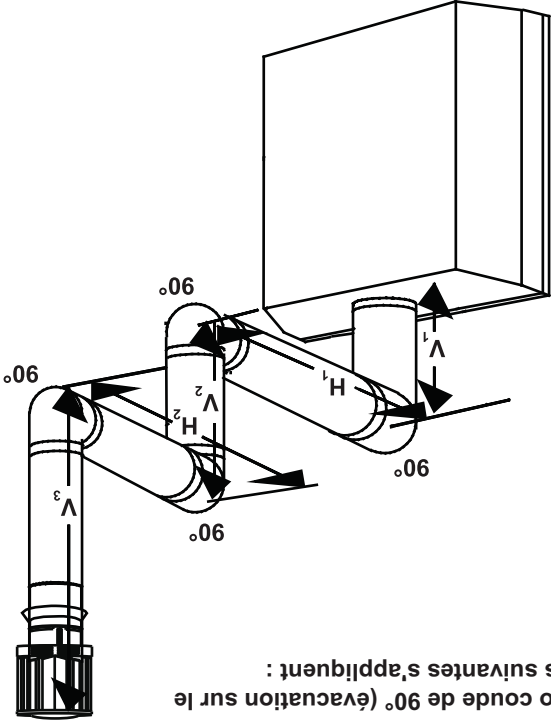
Formule 1 : $H_t \leq V_t$
 Formule 2 : $H_t + V_t \leq 40$ pieds

Exemple :

$V_1 = 5$ Pl
 $V_2 = 6$ Pl
 $V_3 = 10$ Pl
 $V_t = V_1 + V_2 + V_3 = 5 + 6 + 10 = 21$ Pl
 $H_1 = 8$ Pl
 $H_2 = 2,5$ Pl
 $H_r = H_1 + H_2 = 8 + 2,5 = 10,5$ Pl
 $H_0 = 0,03$ (quatre coudes 90° - 90°)
 $= 0,03$ (360° - 90°) = 8,1 Pl
 $H_t = H_r + H_0 = 10,5 + 8,1 = 18,6$ Pl
 $H_t + V_t = 18,6 + 21 = 39,6$ Pl

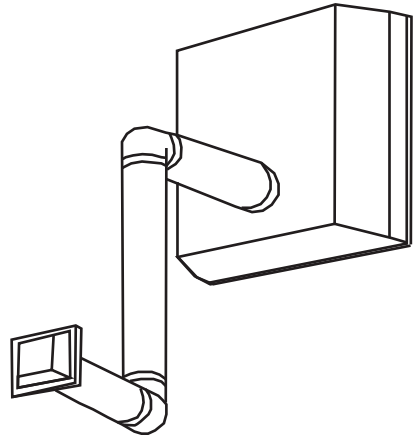
Puisque les deux formules sont respectées, cette configuration d'évacuation est acceptable.

Formule 1 : $H_t \leq V_t$
 $18,6 \leq 21$
 Formule 2 : $H_t + V_t \leq 40$ Pl
 $39,6 \leq 40$

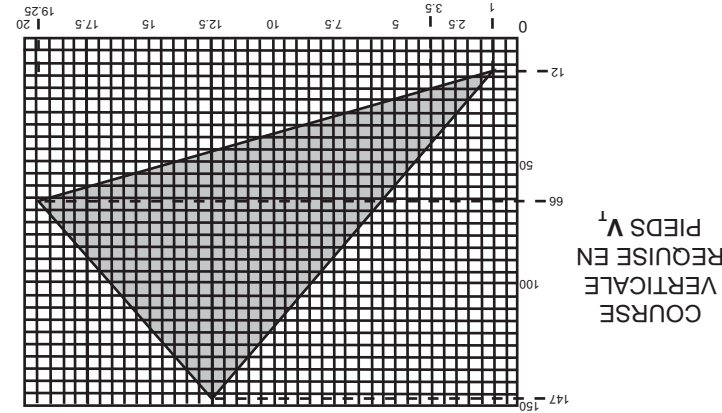


18.2

(H_t) < (V_t)



Configuration d'évacuation simple (deux coudes de 90° seulement)



Consultez le graphique pour déterminer la course verticale nécessaire V_t par rapport à la course horizontale requise H_t. La section ombragée à l'intérieur des lignes représente des valeurs acceptables pour H_t et V_t

s'appliquent :

Formule 1 : $H_t \leq 3,5V_t$

Formule 2 : $H_t + V_t \leq 24,75$ pieds

Exemple :

$V_1 = 4$ Pl

$V_2 = 1,5$ Pl

$V_t = V_1 + V_2 = 4 + 1,5 = 5,5$ Pl

$H_1 = 2$ Pl

$H_2 = 1$ Pl

$H_3 = 1$ Pl

$H_4 = 1,5$ Pl

$H_R = H_1 + H_2 + H_3 + H_4 = 2 + 1 + 1 + 1,5 = 5,5$ Pl

$H_O = 0,03$ (quatre coudes 90° + un coude 45° - 90°)

$= 0,03 (90 + 90 + 90 + 45 - 90) = 9,45$ Pl

$H_t = H_R + H_O = 5,5 + 9,45 = 14,95$ Pl

$H_t + V_t = 14,95 + 5,5 = 20,45$ Pl

Formule 1 : $H_t \leq 3,5V_t$

$3,5V_t = 3,5 \times 5,5 = 19,25$ Pl

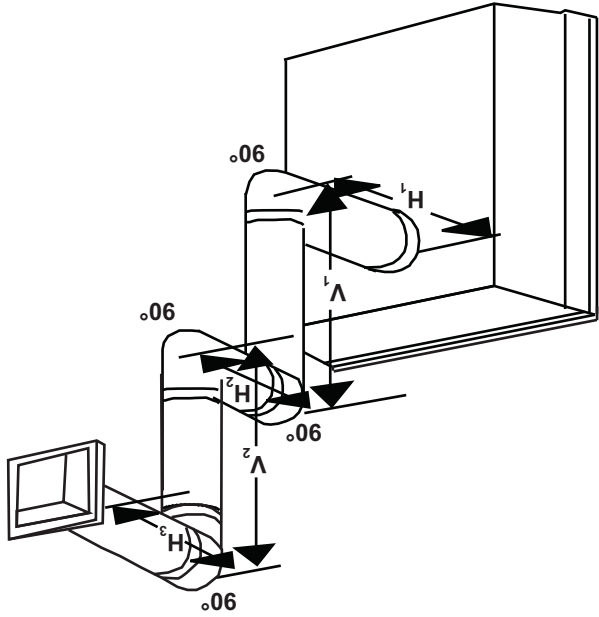
$14,95 \leq 19,25$

Formule 2 : $H_t + V_t \leq 24,75$ Pl

$20,45 \leq 24,75$

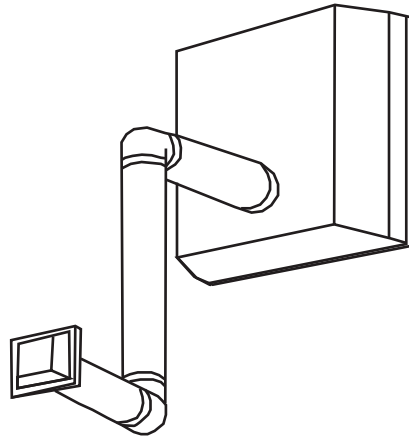
Puisque les deux formules sont respectées, cette configuration d'évacuation est acceptable.

16.3.2A

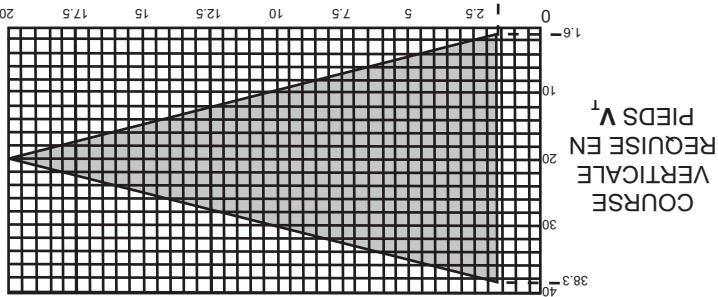


3.9 EVACUATION A L'ARRIERE TERMINAISON HORIZONTALE

$(H^1) \leq (V^1)$



Configuration d'évacuation simple (deux coudes de 90° seulement)



Consultez le graphique pour déterminer la course verticale requise H^1 par rapport à la course horizontale requise V^1 .

La section ombragée à l'intérieur des lignes représente des valeurs acceptables pour H^1 et V^1

LONGUEUR DES COURSES HORIZONTALES PLUS LES DEVIATIONS EN PIEDS H^1

suivantes s'appliquent :

Formule 1 : $H^1 \leq V^1$
 Formule 2 : $H^1 + V^1 \leq 40$ pieds

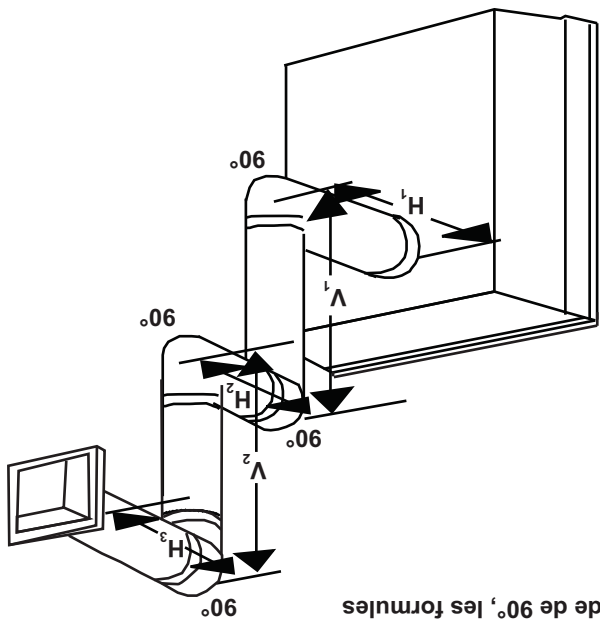
Exemple :

$V^1 = 9$ Pl
 $V^2 = 6$ Pl
 $V^1 + V^2 = 9 + 6 = 15$ Pl
 $H^1 = 3$ Pl
 $H^2 = 2$ Pl
 $H^3 = 1,5$ Pl
 $H^3 = H^1 + H^2 + H^3 = 3 + 2 + 1,5 = 6,5$ Pl
 $H^0 = 0,03$ (quatre coudes $90^\circ - 90^\circ = 0,03$ ($360^\circ - 90^\circ$) = $8,1$ Pl
 $H^1 + H^0 = H^3 + H^0 = 6,5 + 8,1 = 14,6$ Pl
 $H^1 + V^1 = 14,6 + 15 = 29,6$ Pl

Formule 1 : $H^1 \leq V^1$
 $14,6 \leq 15$
 Formule 2 : $H^1 + V^1 \leq 40$ Pl
 $29,6 \leq 40$

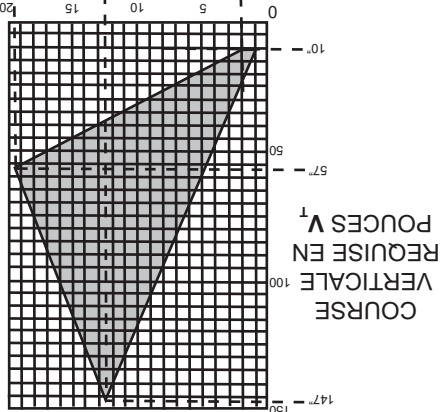
Puisque les deux formules sont respectées, cette configuration d'évacuation est acceptable.

16.3

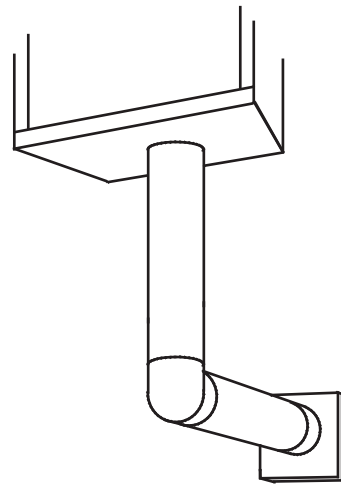


$(H_t) > (V_t)$

Consultez le graphique pour déterminer la course verticale nécessaire V_t par rapport à la course horizontale requise H_t .



La section ombragée à l'intérieur des lignes représente des valeurs acceptables pour H_t et V_t .



Configuration d'évacuation simple (un coude de 90° seulement)

Lorsque la configuration de l'évacuation exige plus qu'un coude de 90°, les formules suivantes s'appliquent :

Formule 1 : $H_t \leq 4,2 V_t$
 Formule 2 : $H_t + V_t \leq 24,75$ pieds

Exemple :

$V_t = V_t = 6$ Pl

$H_t = 3$ Pl

$H_2 = 5$ Pl

$H_r = H_1 + H_2 = 3 + 5 = 8$ Pl

$H_o = 0,03$ (deux coudes 90° - 90°) = $0,03$ (180° - 90°) = $2,7$ Pl

$H_t + H_o = 8 + 2,7 = 10,7$ Pl

$H_t + V_t = 10,7 + 6 = 16,7$ Pl

Formule 1 : $H_t \leq 4,2 V_t$

Formule 2 : $H_t + V_t = 4,2 \times 6 = 25,2$ Pl

Formule 2 :

$H_t + V_t \leq 24,75$

Puisque les deux formules sont respectées, cette configuration d'évacuation est acceptable.

Exemple :

$V_1 = 4$ Pl

$V_2 = 1,5$ Pl

$V_t = V_1 + V_2 = 4 + 1,5 = 5,5$ Pl

$H_1 = 2$ Pl

$H_2 = 1$ Pl

$H_3 = 1$ Pl

$H_4 = 1,5$ Pl

$H_r = H_1 + H_2 + H_3 + H_4 = 2 + 1 + 1 + 1,5 = 5,5$ Pl

$H_o = 0,03$ (quatre coudes 90° - 90°) = $0,03$ (360° - 90°) = $8,1$ Pl

$H_t + H_o = 5,5 + 8,1 = 13,6$ Pl

$H_t + V_t = 13,6 + 5,5 = 19,1$ Pl

Formule 1 : $H_t \leq 4,2 V_t$

Formule 2 : $H_t + V_t = 4,2 \times 5,5 = 23,1$ Pl

Formule 1 :

$H_t + V_t \leq 24,75$

Formule 2 :

$H_t + V_t \leq 24,75$

Puisque les deux formules sont respectées, cette configuration d'évacuation est acceptable.

3.7 VALEUR DU COUDE EN LONGUEUR D'EVENT

PIEDS POUCES	
1°	0,03
15°	0,45
30°	0,9
45°	1,35
90°*	2,7
	32,0

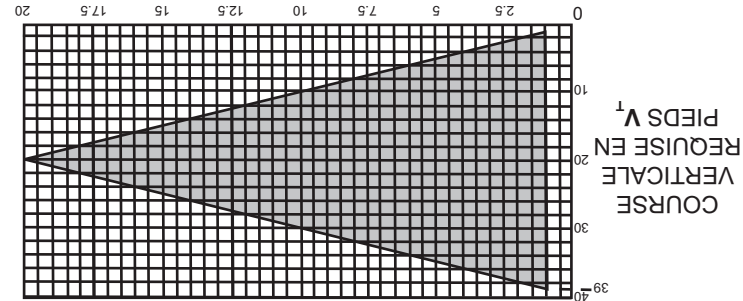
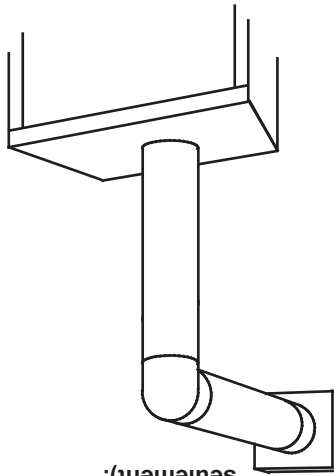
* La première déviation de 90° a une valeur zéro et est illustrée dans la formule comme - 90°

3.8 ÉVACUATION SUR LE DESSUS TERMINAISON HORIZONTALE

$$(H_t) \leq (V_t)$$

Configuration d'évacuation simple (un coude de 90°

seulement).



Consultez le graphique pour déterminer la course verticale nécessaire V_t par rapport à la course horizontale requise H_t.

LONGUEUR DES COURSES HORIZONTALES PLUS LES DÉVIATIONS EN PIEDS H_t

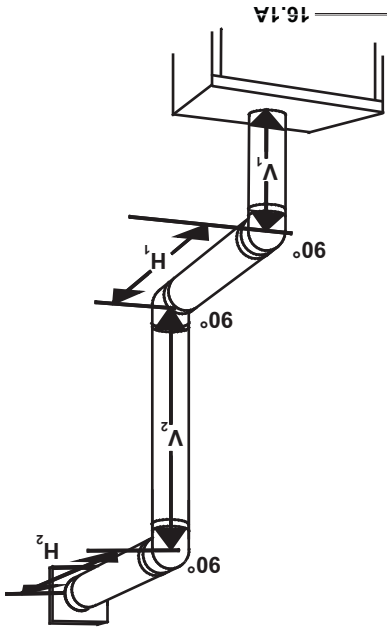
La section ombragée à l'intérieur des lignes représente des valeurs acceptables pour H_t et V_t.

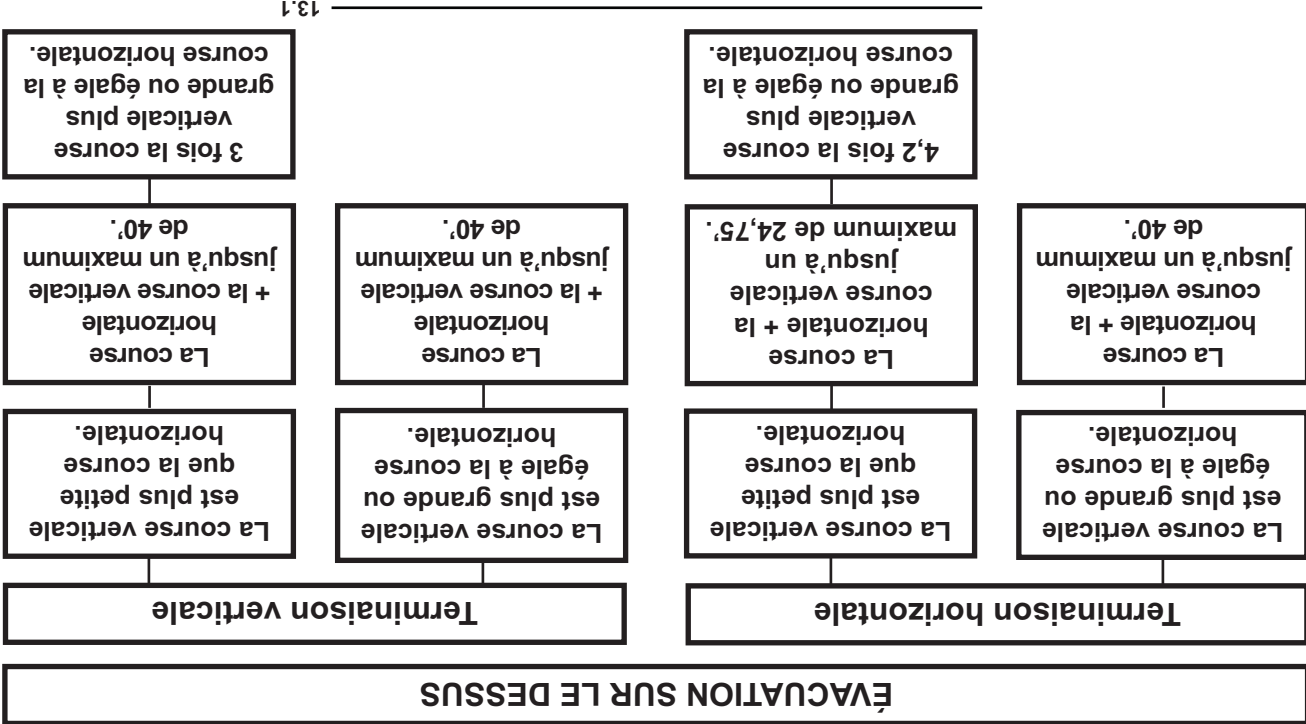
Formule 1 : $H_t \leq V_t$
 Formule 2 : $H_t + V_t \leq 40$ pieds

Exemple :
 $V_1 = 3$ Pl
 $V_2 = 8$ Pl
 $V_t = V_1 + V_2 = 3 + 8 = 11$ Pl
 $H_1 = 2,5$ Pl
 $H_2 = 2$ Pl
 $H_r = H_1 + H_2 = 2,5 + 2 = 4,5$ Pl
 $H_o = 0,03$ (trois coudes 90° - 90°) = $0,03 (270° - 90°) = 5,4$ Pl
 $H_t = H_r + H_o = 4,5 + 5,4 = 9,9$ Pl
 $H_t + V_t = 9,9 + 11 = 20,9$ Pl

Formule 1 : $H_t \leq V_t$
 $9,9 \leq 11$
 Formule 2 : $H_t + V_t \leq 40$ Pl
 $20,9 \leq 40$

Puisque les deux formules sont respectées, cette configuration d'évacuation est acceptable.





3.6 LÉGENDE

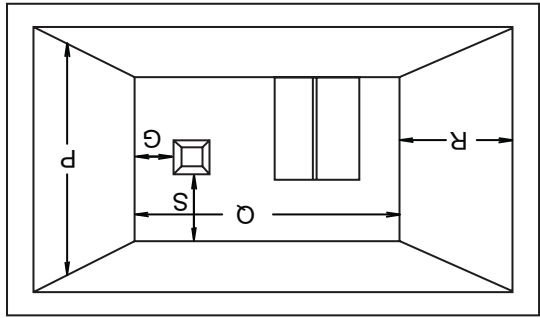
Les symboles suivants sont utilisés dans le calcul et les exemples d'évacuation :

- > - plus grand que
- ≥ - plus grand ou égal à
- < - plus petit que
- ≤ - plus petit ou égal à
- H_T - total de la longueur des courses horizontales (H_r) et des déviations (H_o) en pieds
- H_r - longueur des courses horizontales combinées en pieds
- H_o - facteur de la valeur d'une déviation : 0,03 (du total des degrés de déviation - 90°) en pieds
- V_T - longueur des courses verticales combinées en pieds

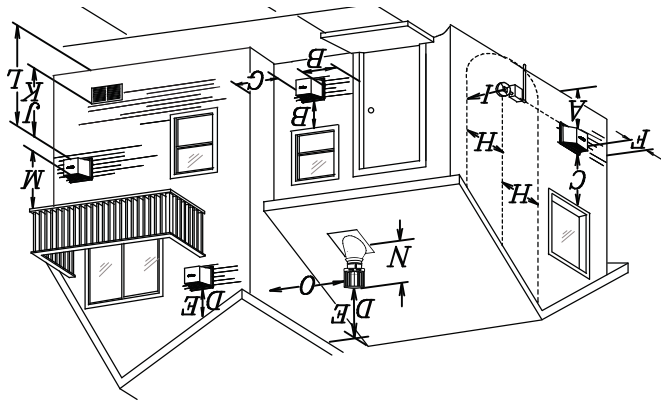
14.1

3.4 EMLACEMENTS ET DÉGAGEMENTS MINIMAUX DE LA TERMINAISON

APPLICATIONS POUR BALCON COUVERT ††



Q _{MIN} = 3 pieds
R _{MAX} = 2 x Q _{RÉELLE}
R _{MAX} ≤ 15 pieds



INSTALLATION	E.-U.	CANADA
--------------	-------	--------

A	12"	12"	Dégagement au-dessus du sol, d'une véranda, d'une terrasse en bois ou d'un balcon.
B	12" Δ	9" Δ	Dégagement des fenêtres ou des portes qui ouvrent.
C	12" *	12" *	Dégagement des fenêtres fermées en permanence.
D	18" **	18" **	Dégagement vertical d'un soffite ventilé situé au-dessus de la terminaison si la distance horizontale est de moins de 2' de la ligne médiane de la terminaison.
E	12" **	12" **	Dégagement d'un soffite non ventilé.
F	0"	0"	Dégagement des murs faisant coin extérieur.
G	0" ***	0" ***	Dégagement des murs extérieurs incombustibles faisant coin intérieur ou aux obstructions incombustibles (cheminée, etc.).
	2" ***	2" ***	Dégagement des murs extérieurs combustibles faisant coin intérieur ou aux obstructions combustibles (habillage extérieur, etc.).
H	3' ****	3' ****	Dégagement horizontal de chaque côté depuis la ligne verticale tirée du centre d'un ensemble de régulateur/compteur pour une distance verticale maximale de 15'.
I	3' ****	3' ****	Dégagement de l'évent du régulateur.
J	12"	9"	Dégagement d'une prise d'air de ventilation non mécanique de la maison ou d'une prise d'air de combustion de tout autre appareil.
K	6'	3' †	Dégagement d'une prise d'air mécanique.
L	7' ‡	7' ****	Dégagement au-dessus d'un trottoir ou d'une entrée pavée situés sur une propriété publique.
M	12" ††	12" ****	Dégagement sous une véranda ou une terrasse en bois.
N	16"	16"	Dégagement au-dessus du toit.
O	2' ††	2' ††	Dégagement des murs adjacents, incluant les maisons voisines.
P	8'	8'	Le toit doit être incombustible et sans ouvertures.
Q	3'	3'	Voir le tableau pour les dimensions d'un mur plus large
R	6'	6'	Voir le tableau pour les dimensions d'un mur plus profond. La terminaison ne doit pas être installée sur quelconque mur ayant une ouverture entre la terminaison et le côté ouvert de la structure.
S	12"	12"	Dégagement sous un balcon couvert.

Δ Pour les structures comportant trois murs et un toit, la terminaison doit être située à plus de 6 pieds sous une fenêtre s'ouvrant sur un plan horizontal.
 * Recommandé afin de prévenir la formation de buée dans les fenêtres et les cassures thermiques.
 ** Il est recommandé d'utiliser un protecteur de chaleur et de maximiser la distance au soffite de plastique.
 *** L'ensemble périscopique requiert un dégagement minimal de 18 pouces d'un mur extérieur faisant coin intérieur. Ceci est une distance recommandée. Vérifiez les codes locaux pour connaître les contraintes additionnelles.
 † Trois pieds au-dessus si la distance horizontale est de moins de 10 pieds.
 ‡ Une terminaison d'évacuation ne doit pas être installée à un endroit où elle pourrait causer une formation dangereuse de givre ou de glace sur les surfaces d'une propriété adjacente.

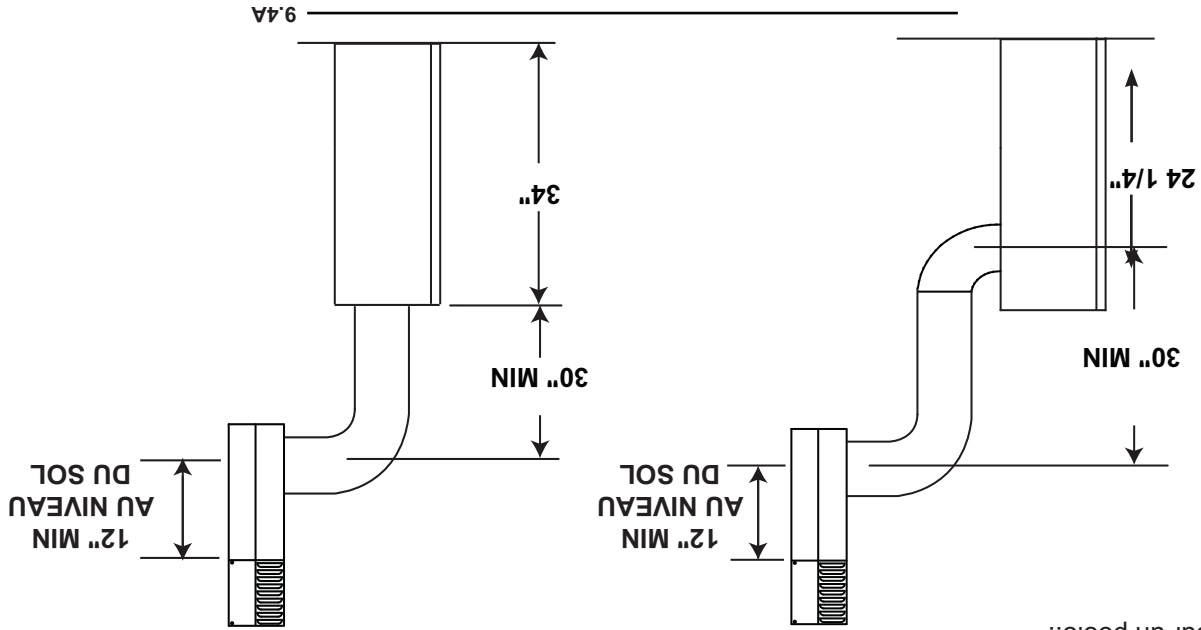
†† Permis seulement si la véranda ou la terrasse en bois sont complètement ouverts sur un minimum de deux côtés sous le plancher.
 †† Recommandé afin d'éviter la recirculation des produits d'échappement. Vérifiez les codes locaux pour connaître les contraintes additionnelles.
 †† Permis seulement si le balcon est complètement ouvert sur au moins un côté.

NOTE : Les dégagements sont en conformité avec les codes d'installation locaux et les exigences du fournisseur de gaz.

3.3 INSTALLATIONS PARTICULIÈRES D'ÉVENTS

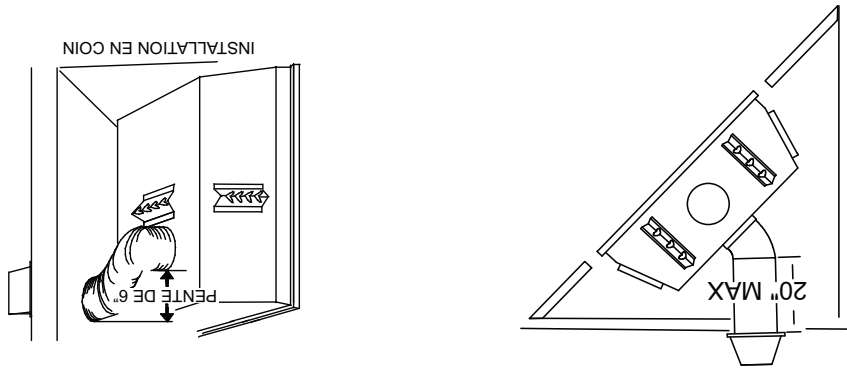
3.3.1 ENSEMBLE PÉRISCOPE

Utilisez l'ensemble périscopique afin de positionner la terminaison au-dessus du niveau du sol. L'ensemble périscopique doit être installé de façon à ce que la fente d'air du bas soit située à un minimum de 12 pouces au-dessus du niveau du sol. La longueur maximale permise de l'évent est de 10 pieds pour un foyer et 8 pieds pour un poêle.



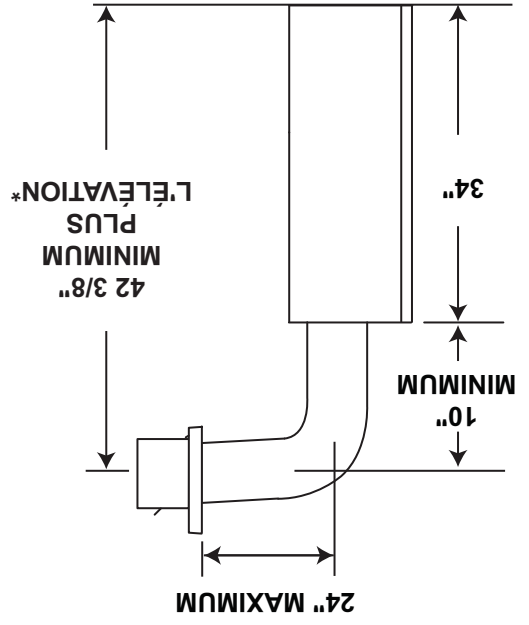
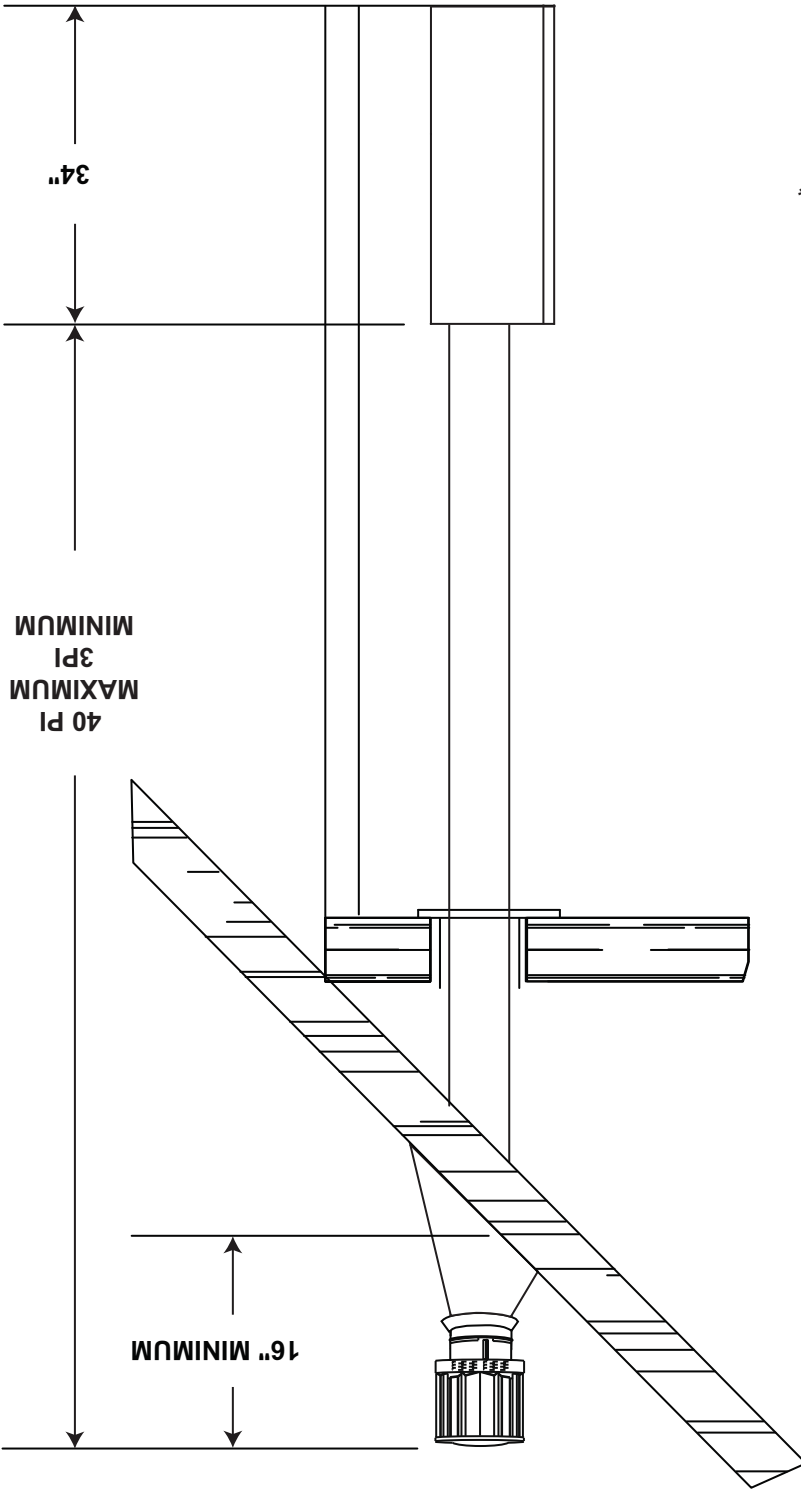
3.3.2 INSTALLATION EN COIN

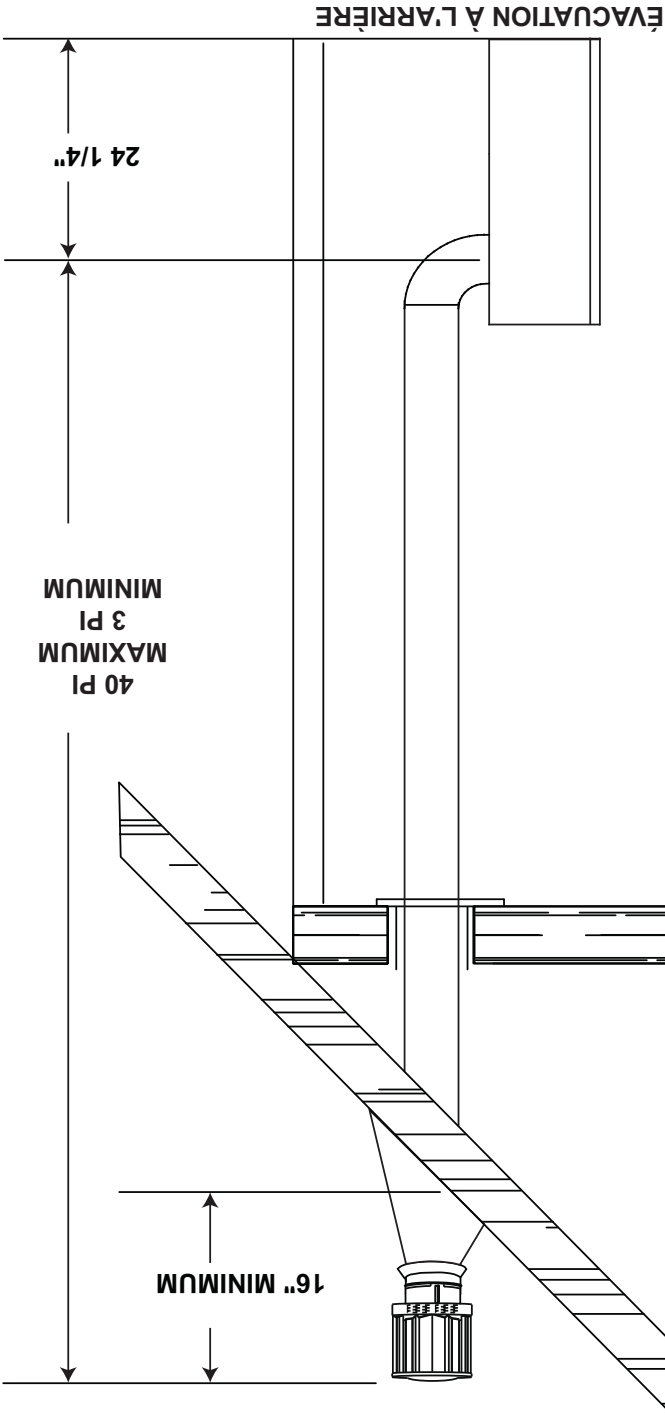
Lorsque l'évent est installé en coin, la longueur maximale du conduit d'évacuation est de 20 pouces de course horizontale, en plus de la déviation de 45°. Dans ce cas, une pente de zéro pouce est acceptable s'il y a utilisation d'un conduit d'évacuation rigide. Dans le cas de l'utilisation d'un conduit d'évacuation flexible, une pente ascendante de 6 pouces doit être maintenue.



* Voir la section « EVACUATION ».

EVACUATION SUR
LE DESSUS





ÉLEVATION EXIGÉE POUR UNE ÉVACUATION HORIZONTALE		
ÉVACUATION À L'ARRIÈRE	RIGIDE	0" / P1
ÉVACUATION À L'ARRIÈRE	FLEXIBLE	0" / P1
ÉVACUATION SUR LE DESSUS	RIGIDE	0" / P1
ÉVACUATION SUR LE DESSUS	FLEXIBLE	0" / P1
ÉVACUATION EN COIN	RIGIDE	0"
ÉVACUATION EN COIN	FLEXIBLE	6"

Pour une performance optimale de l'appareil, toutes les courses horizontales devraient avoir une élévation de 1" par pied.

3.2 INSTALLATIONS TYPQUES D'ÉVÉNEMENTS

Ces ensembles d'événements permettent soit une évacuation verticale, soit une évacuation horizontale de l'appareil. La course horizontale doit être conservée à un maximum de 20 pieds. La hauteur totale permise pour un événement vertical est de 40 pieds. Lorsque vous utilisez des composants flexibles, le nombre maximal de raccords est de deux horizontalement ou trois verticalement (excluant les raccords à l'appareil et à la section de terminaison). Ne combinez pas de composants rigides ou flexibles ni de composants d'évacuation provenant de fabricants différents.

Pour une performance optimale de l'appareil et une apparence optimale des flammes, gardez la longueur des événements et le nombre de coudes au minimum. La prise d'air de la terminaison extérieure doit demeurer dégagée en tout temps. Vérifiez la prise d'air de la terminaison au moins une fois l'an pour vous assurer qu'elle n'est pas obstruée ni endommagée.

8.1

AVERTISSEMENT
 RISQUE D'INCENDIE. CONSERVEZ LES DÉGAGEMENTS NÉCESSAIRES AU CONDUIT D'ÉVÉNEMENT ET À L'APPAREIL.

SI LE SYSTÈME D'ÉVÉNEMENT EST FOURNI AVEC DES ESPACEURS, LES COURSES HORIZONTALES ET VERTICALES DU SYSTÈME DOIVENT ÊTRE SUPPORTÉES À TOUTS LES 3 PIEDS. UTILISEZ DES SUPPORTS OU DES ATTACHES INCOMBUSTIBLES ÉQUIVALENTS AFIN DE MAINTENIR LE DÉGAGEMENT AUX MATÉRIAUX COMBUSTIBLES. UTILISEZ L'ENSEMBLE DE SUPPORT MURAL WOLF STEEL W010-0370 OU DES SUPPORTS INCOMBUSTIBLES ÉQUIVALENTS AFIN DE CONSERVER LE DÉGAGEMENT MINIMAL AUX MATÉRIAUX COMBUSTIBLES POUR LES COURSES VERTICALES ET HORIZONTALES. DES ESPACEURS SONT FIXÉS AU CONDUIT INTÉRIEUR À INTÉRVALLS PRÉDÉTERMINÉS AFIN DE GARDER UN ESPACE VIDE AVEC LE CONDUIT EXTÉRIEUR. POUR QUE LE FONCTIONNEMENT SOIT SÉCURITAIRE, UN ESPACE VIDE EST REQUIS. UN ESPACEUR EST REQUIS AU DÉBUT, AU MILIEU ET À LA FIN DE CHAQUE COUDE AFIN DE MAINTENIR CET ESPACE VIDE. N'ENLEVEZ PAS CES ESPACEURS.

CET APPAREIL UTILISE UN SYSTÈME DE CONDUITS DE 4" POUR L'ÉVACUATION ET DE 7" POUR LA PRISE D'AIR. Veuillez consulter la section qui correspond à votre installation.

Afin d'assurer un fonctionnement sécuritaire et adéquat de l'appareil, vous devez observer les instructions d'évacuation à la lettre. Un changement de la longueur verticale minimale de l'évacuation pourrait entraîner des problèmes d'allumage et/ou des accumulations de carbone. Sous des configurations d'évacuation extrêmes, allouez de 5 à 15 minutes pour que la flamme se stabilise après l'allumage. Prévoyez un moyen d'inspecter visuellement le raccord des événements à l'appareil après que ce dernier a été installé. Utilisez un espaceur coupe-feu, un protecteur de conduit d'évacuation ou un écran thermique de grenier lorsque les murs intérieurs, le plancher ou le plafond sont traversés.

NOTE: Si, pour une raison quelconque, le système d'événements de prise d'air est démonté, réinstallez-le selon les instructions fournies dans l'installation initiale.

7.1A

3.1 LONGUEURS DES CONDUITS D'ÉVACUATION ET COMPOSANTS

Utilisez uniquement des composants d'évacuation Wolf Steel, Simpson Dura-Vent, Selkirk Direct Temp, American Metal Amerivent ou Metal-Fab. Les minimums et maximums des longueurs d'événement, pour les installations verticales et horizontales, et les emplacements des terminaisons pour les deux systèmes sont précisés dans ce manuel et doivent être respectés. Pour le Simpson Duravent, le Selkirk Direct Temp, l'American Metal Amerivent et le Metal-Fab, suivez la procédure d'installation fournie avec les composants d'évacuation.

Un adaptateur de départ est nécessaire et peut être acheté chez le fournisseur correspondant :

PIÈCE	4"17"	FOURNISSEUR	SITE WEB
Duravent	W175-0053	Wolf Steel	www.duravent.com
Amerivent	4DSC-N2	American Metal	www.americanmetalproducts.com
Direct Temp	4DT-AAN	Selkirk	www.selkirkcorp.com
SuperSeal	4DNA	Metal-Fab	www.mtfab.com

* Pour le Simpson Dura-Vent, le Selkirk Direct Temp, l'American Metal Amerivent et le Metal-Fab, suivez la procédure d'installation qui se trouve sur le site Web de votre fournisseur.

Pour les systèmes d'événements dont le conduit intérieur d'évacuation possède déjà des joints scellés, seuls les joints du conduit extérieur de prise d'air doivent être scellés avec un scellant de silicone rouge à haute température (RTV). Ce même scellant peut être utilisé sur les joints des conduits intérieurs et extérieurs de tous les autres systèmes d'événements approuvés à l'exception du raccordement du conduit d'évacuation à la buse du foyer qui doit être scellé avec le scellant noir à haute température Mill Pac. Le scellant à haute température doit être commandé séparément.

Lorsque vous utilisez des composants d'évacuation Napoléon®, n'utilisez que des composants flexibles/rigides d'évacuation Wolf Steel liée conjointement avec les ensembles de terminaison suivants : les ensembles de terminaison murale **GD222, GD222R**, ou l'ensemble de terminaison pour toit de pente 1/12 à 7/12 **GD110**, l'ensemble de terminaison pour toit de pente 8/12 à 12/12 **GD111**, l'ensemble de terminaison pour toit plat **GD112** ou l'ensemble périscopique **GD201** (pour pénétration des murs sous le niveau du sol). Lorsque vous utilisez des conduits flexibles, conjointement avec les différentes terminaisons, utilisez l'ensemble d'événements de 5 pieds **GD220** ou l'ensemble d'événements de 10 pieds **GD330**.

2.3 INFORMATION GÉNÉRALE

POUR VOTRE SATISFACTION, CET APPAREIL A ÉTÉ MIS À L'ESSAI POUR CONFIRMER SON FONCTIONNEMENT ET SA QUALITÉ!

APPAREIL

PL	GN	
Altitude (PI)	0-4 500	17 000
Débit max. (BTU/H)	17 000	10 900
Rendement maximal à régime continu (BTU/H)	10 900	64 %
Efficacité (souf. allumée)	64 %	53 %
A.F.U.E. (Efficacité annuelle d'utilisation de combustible)	53 %	4,5" de colonne d'eau
Pression minimale d'alimentation en gaz	4,5" de colonne d'eau	7" de colonne d'eau
Pression maximale d'alimentation en gaz	7" de colonne d'eau	10" de colonne d'eau
Pression au collecteur (lorsque le gaz circule)	3,5" de colonne d'eau	10" de colonne d'eau

Lorsque l'appareil est installé à des élévations dépassant 4500 pieds, et en l'absence de recommandations spécifiques de l'autorité compétente locale, l'indice certifié du débit à haute altitude devra être réduit au taux de 4 % pour chaque 1000 pieds supplémentaires.

Cet appareil est approuvé pour installation dans les salles de bain, les chambres à coucher et les chambres de studio et convient pour installation dans les maisons mobiles. Aucune alimentation électrique externe (110 volts ou 24 volts) n'est requise pour le fonctionnement du système.

Les bruits causés par l'expansion et la contraction lors des cycles de chauffage et de refroidissement sont tout à fait normaux et il faut s'y attendre.

N'utilisez que des accessoires conçus pour votre appareil.

2.4 PLAQUE D'HOMOLOGATION

INSTALLATEUR : Il est de votre responsabilité de cocher les cases appropriées sur la plaque d'homologation correspondant au modèle, au type d'évacuation et au type de gaz de l'appareil.

Pour l'emplacement de la plaque d'homologation, voir la section « VUE D'ENSEMBLE DE L'INSTALLATION ». Cette illustration est à titre de référence seulement. Consultez la plaque d'homologation pour obtenir l'information précise.

WOLF STEEL LTD.

24 NAPOLÉON ROAD, BARRIE, ON, L4M 0G8 CANADA

WOLF STEEL LTD. DÉVOLUTION MINIMALE ET MAXIMALE

SEE OWNER'S INSTRUCTION MANUAL FOR MINIMUM AND MAXIMUM VENT LENGTHS
RÉFÉRER AU MANUEL D'INSTALLATION DE PROPRIÉTAIRE POUR LES LONGUEURS
EXTENSION PLUS GRANDES.

MINIMUM CLEARANCE TO COMBUSTIBLE MATERIALS /
EXTENSION HORIZONTAL EXTENSION / EXTENSION HORIZONTALE MAXIMALE: 2" SEE INSTRUCTION
MANTEL / MANTEAU 12" *
BACK / ARRIBRE 0
VENT TOP / EVENT SUPERIEUR 0
VENT SIDES / COTES DE L'EVENT 0
FLOOR / PLANCHER 0
TOP / DESSUS 0
RECESSED DEPTH / PROFONDEUR D'ENCASTRE 17.25"
DEGASMENT MINIMUM DES MATÉRIAUX COMBUSTIBLES:
MINIMUM CLEARANCE TO COMBUSTIBLE MATERIALS /
OTHER THAN THAT SUPPLIED BY THE MANUFACTURER WITH THE APPLIANCE.
DO NOT ADD ANY MATERIAL TO THE APPLIANCE, WHICH WILL COME IN CONTACT WITH THE FLAMES.
ONLY WITH FAST ACTING THERMOCOUPLE SUPPLIED BY WOLF STEEL LTD.

WARNING: THIS FIREPLACE USES AND REQUIRES A FAST ACTING THERMOCOUPLE. REPLACE
DOORS CERTIFIED WITH THIS UNIT ONLY.

NOT FOR USE WITH SOLID FUEL. FOR USE WITH GLASS

PRESSION D'ALIMENTATION MAXIMALE: 7.0" D'UNE COLONNE D'EAU
MAXIMUM SUPPLY PRESSURE: 7.0" WATER COLUMN
PRESSION D'ALIMENTATION MINIMALE: 4.5" D'UNE COLONNE D'EAU
MINIMUM SUPPLY PRESSURE: 4.5" WATER COLUMN
PRESSION AU COLLECTEUR: 3.5" D'UNE COLONNE D'EAU
MANTEL PRESSURE: 3.5" WATER COLUMN
12,000 BTU/h REDUCED INPUT / ALIMENTATION RÉDUITE
17,000 BTU/h INPUT / ALIMENTATION
0-4500FT (0-1370m) ALTITUDE / ÉLEVATION
MODEL BCDV36CFNTR BGD36CFNTR BGDV36CFPTR

4001659 (MAG) 9700539 (MSL)
4001659 (MUSA) 4001657 (NGZ) 4001659 (MUSA) BGD36CFPTR

CERTIFIED UNDER / HOMOLOGUÉ SELON LES NORMES: CSA 2.22-2009, ANSII Z21.50B-2009 VENTED GAS FIREPLACE / Foyer au gaz avec évacuation
DIRECT VENT GAS FIREPLACE, SUITABLE FOR BEDROOM, BATHROOM AND BED-SITTING ROOM
INSTALLATION CONFORME AUX EXIGENCES DE LA NORME CANADIENNE Z490H100
SALLE DE BAIN ET UN STUDIO, APPROPRIÉ POUR INSTALLATION DANS UNE MAISON MOBILE SI SON
INSTALLATION CONFORME AUX EXIGENCES DE LA NORME CANADIENNE Z490H100
MOBILES ÉQUIPÉS AU GAZ, EN VIGILANCE AU CANADA OU AUX ÉTATS-UNIS DE LA NORME DE
SECURITE ET DE CONSTRUCTION DE MAISONS MANUFACTURÉES, TITRE 24 CFR, SECTION 3280,
DANS LES CAS OÙ CETTE NORME D'ÉVALUATION PEUT ÊTRE APPLIQUÉE. SE RÉFÉRER À LA NORME
RELATIVE AU CRITÈRE DE SÉCURITÉ CONTRE L'INCENDIE POUR LES INSTALLATIONS
DANS LES MAISONS MANUFACTURÉES. LES SITES ET LES COMMUNITÉS, ANSIPFP 501A, LOUSILL
EST INSTALLE AVEC LA FROUSSE POUR CANNON 665KRT, LE FOYER EST CONFORME À LA NORME DE
CERTIFICATION DE L'ACG CR95-006.

AVERTISSEMENT: CE Foyer utilise et requiert un thermocouple à action rapide.
NE JOUETEZ PAS À CET APPAREIL AVEC UN MATÉRIAU ENTRER EN CONTACT AVEC LES FLAMMES.
AUTRE QUE CELUI QUI EST FOURNI AVEC CET APPAREIL PAR LE FABRICANT.
L'INSTALLATION DOIT ÊTRE FAITE EN SUivant LES INSTRUCTIONS DE PROPRIÉTAIRE ET DE SÉCURITÉ.
L'APPAREIL DOIT ÊTRE ÉVACUÉ EN UTILISANT L'ENSEMBLE D'ÉVACUATION PROPRE À NAPOLÉON.
IMPORTANT DE BIEN REINSTALLER ET RESCELLER L'ÉVENT APRÈS AVOIR ASSURÉ LE MANTEN DU
SYSTÈME DE PRISE D'AIR.
ÉLECTRIQUE / CLASSIFICATION: 115V 0.82AMP 60HZ
OPTIONAL FAN KIT / ENSEMBLE DE VENTILATEUR FACULTATIF: GZ550-KT 6095

SÉRIAL NUMBER/NO. DE SÉRIE: **BGD36CF**

W365-0242 / H

CET APPAREIL AU GAZ DEVAIT ÊTRE INSTALLÉ ET ENTRETENU PAR UN INSTALLATEUR QUALIFIÉ EN SE CONFORMANT

aux codes locaux. Les pratiques d'installation peuvent varier d'une région à l'autre. Il est donc important de connaître les normes spécifiques qui s'appliquent à votre région. Par exemple dans l'état du Massachusetts :

- Ce produit doit être installé par un plombier certifié ou un installateur pour le gaz lorsque installé dans le Commonwealth du Massachusetts.
- Le registre de l'appareil doit être enlevé ou bloqué en le soudant en position ouverte avant d'installer un encastrement ou un ensemble de bûches à gaz.
- La soupape d'arrêt doit être un robinet à gaz avec une poignée en T.
- Le raccord flexible ne doit pas mesurer plus que 36 pouces.
- Un détecteur de monoxyde de carbone est requis dans toutes les pièces contenant des appareils alimentés au gaz.
- L'appareil n'est pas approuvé pour installation dans une chambre à coucher ou une salle de bain à moins d'être un appareil avec une chambre de combustion scellée à évacuation directe.

L'installation doit se conformer aux codes locaux. En l'absence de codes locaux, l'installation doit être conforme au Code d'Installation du gaz naturel et du propane CSA B149.1 au Canada ou au National Fuel Gas Code, ANSI Z223.1 / NFPA 54 aux États-Unis. Cet appareil convient pour installation dans une maison mobile si l'installation est conforme aux normes actuelles pour les maisons mobiles équipées au gaz CAN/CSA Z240 SÉRIE MM au Canada ou selon les normes ANSI Z223.1 et NFPA 54 aux États-Unis.


Tant que les distances requises pour les dégagements aux matériaux

combustibles sont respectées, le meilleur endroit pour un appareil est le centre de la maison, car ceci permet une meilleure utilisation de la chaleur fournie. L'emplacement des fenêtres, des portes et la circulation dans la pièce où se trouve l'appareil devront être pris en considération. Si possible, vous devriez choisir un emplacement où le système d'évent peut passer à travers la maison sans avoir à découper des solives de plancher ou de toit. Si l'appareil est installé directement sur un tapis, sur une surface de vinyle ou tout autre revêtement de plancher combustible autre que le bois, l'appareil devra être monté sur un panneau continu de métal ou de bois se prolongeant sur toute la largeur et la profondeur.

Certains appareils ont une soufflerie ou un ensemble de deux souffleries optionnel. Si la soufflerie ou l'ensemble de deux souffleries optionnel est installé, la boîte de dérivation doit être branchée au circuit électrique et mise à la terre conformément aux codes locaux. Utilisez la version courante du Code canadien de l'électricité CSA C22.1 au Canada ou le National Electrical Code ANSI/NFPA 70 aux États-Unis.

Dans ce manuel, toutes les sections du BGD36CF(G) concernent le BGD36CF, le BGD36CFG et le GD36M. Toutes les sections du BGD36CFG / GD36M concernent le BGD36CFG et le GD36M.

4.1A



NATIONAL FIREPLACE INSTITUTE

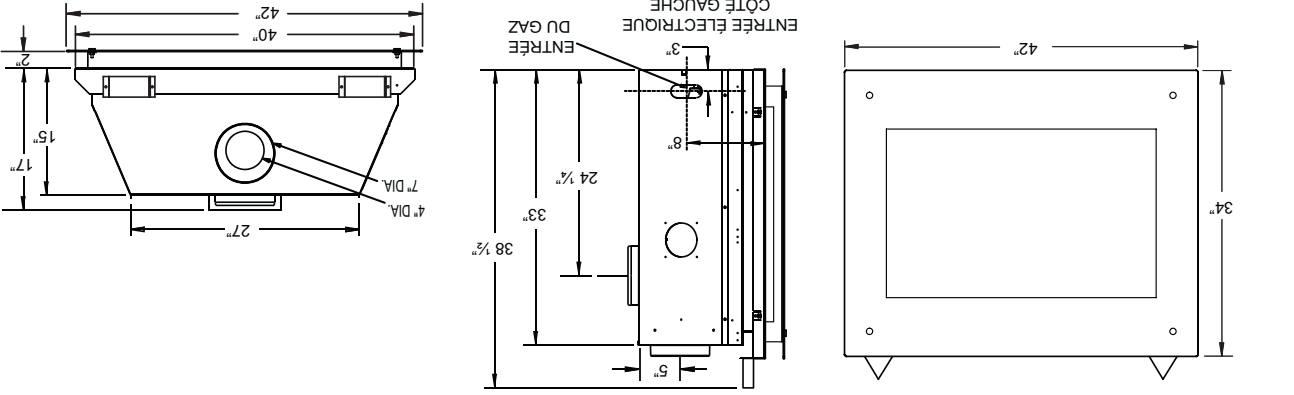
CERTIFIED

www.nficertified.org

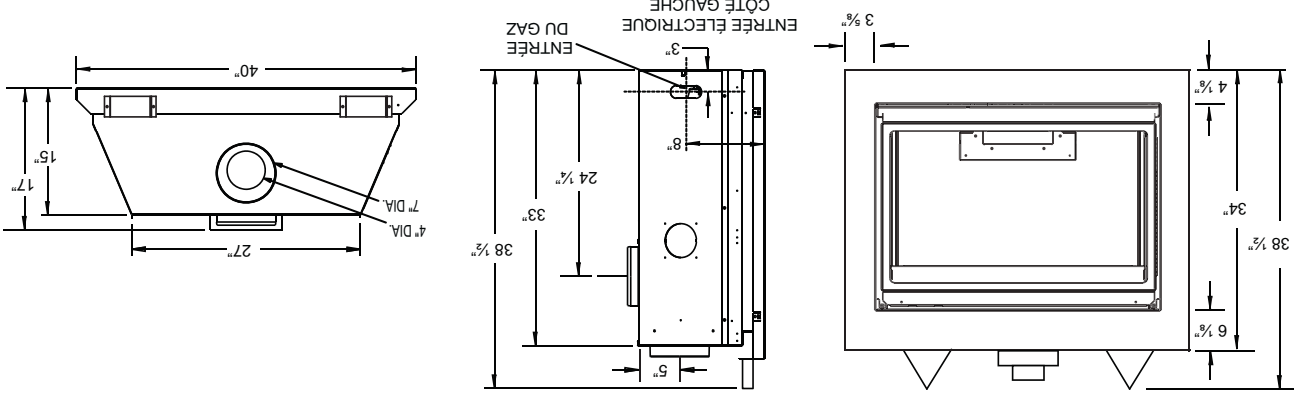
Nous suggérons que nos appareils au gaz soient installés et que l'entretien soit effectué par des professionnels certifiés par le National Fireplace Institute® (NFI) comme spécialiste du gaz NFI.

AVERTISSEMENT
<p>ALLUMEZ TOUJOURS LA VEILLEUSE, QUE CE SOIT POUR LA PREMIÈRE FOIS OU LORSQUE L'APPROVISIONNEMENT EN GAZ EST ÉPUISÉ, AVEC LA PORTE VITRÉE OUVERTE OU RETIRÉE. PRÉVOYEZ UN ACCÈS SUFFISANT POUR ENTREtenir ET OPÉRER L'APPAREIL. ASSUREZ-VOUS D'UNE QUANTITÉ SUFFISANTE D'AIR DE VENTILATION.</p>
<p>N'OBSTREUz JAMAIS L'OUVERTURE DE L'APPAREIL.</p>
<p>LES OBJETS PLACÉS DEVANT L'APPAREIL DOIVENT ÊTRE GARDÉS À UNE DISTANCE D'AU MOINS 48" DE LA FACE VITRÉE DE L'APPAREIL.</p>
<p>LES SURFACES AUTOUR ET SURTOUT AU-DESSUS DE L'APPAREIL PEUVENT DEVENIR CHAUDES. NE TOUCHEZ PAS L'APPAREIL QUAND IL FONCTIONNE.</p>
<p>RISQUE D'INCENDIE OU D'EXPLOSION.</p>
<p>LES PRESSIONS ÉLEVÉES ENDOMMAGERONT LA SOUPAPE. L'ALIMENTATION EN GAZ DOIT ÊTRE DÉBRANCHÉE PENDANT LES ESSAIS DE PRESSION DE CE SYSTÈME LORSQUE LES PRESSIONS D'ESSAI EXCÈDENT ½ LB/PO² (3,5 KPA). FERMEZ LA SOUPAPE D'ARRÊT MANUELLE PENDANT TOUT ESSAI DE PRESSION DU SYSTÈME D'ALIMENTATION EN GAZ LORSQUE LA PRESSION EST DE ½ LB/PO² (3,5 KPA) OU MOINS.</p>
<p>N'UTILISEZ QUE LES ACCESSOIRES OPTIONNELS ET LES PIÈCES DE RÉCHANGE APPROUVÉES PAR WOLF STEEL POUR CET APPAREIL. L'UTILISATION D'ACCESSOIRES NON LISTÉS (SOUFFLERIE, PORTES, PER-SIENNES, MOULURES, COMPOSANTS DE GAZ, COMPOSANTS D'ÉVACUATION, ETC.) POURRAIT ÊTRE NON SÉCURITAIRE ET ANNULER LA GARANTIE ET LA CERTIFICATION.</p>

2.2 INSTRUCTIONS GÉNÉRALES



2.1.2 GD36M



2.1 DIMENSIONS 2.1.1 BGD36CF / BGD36CFG

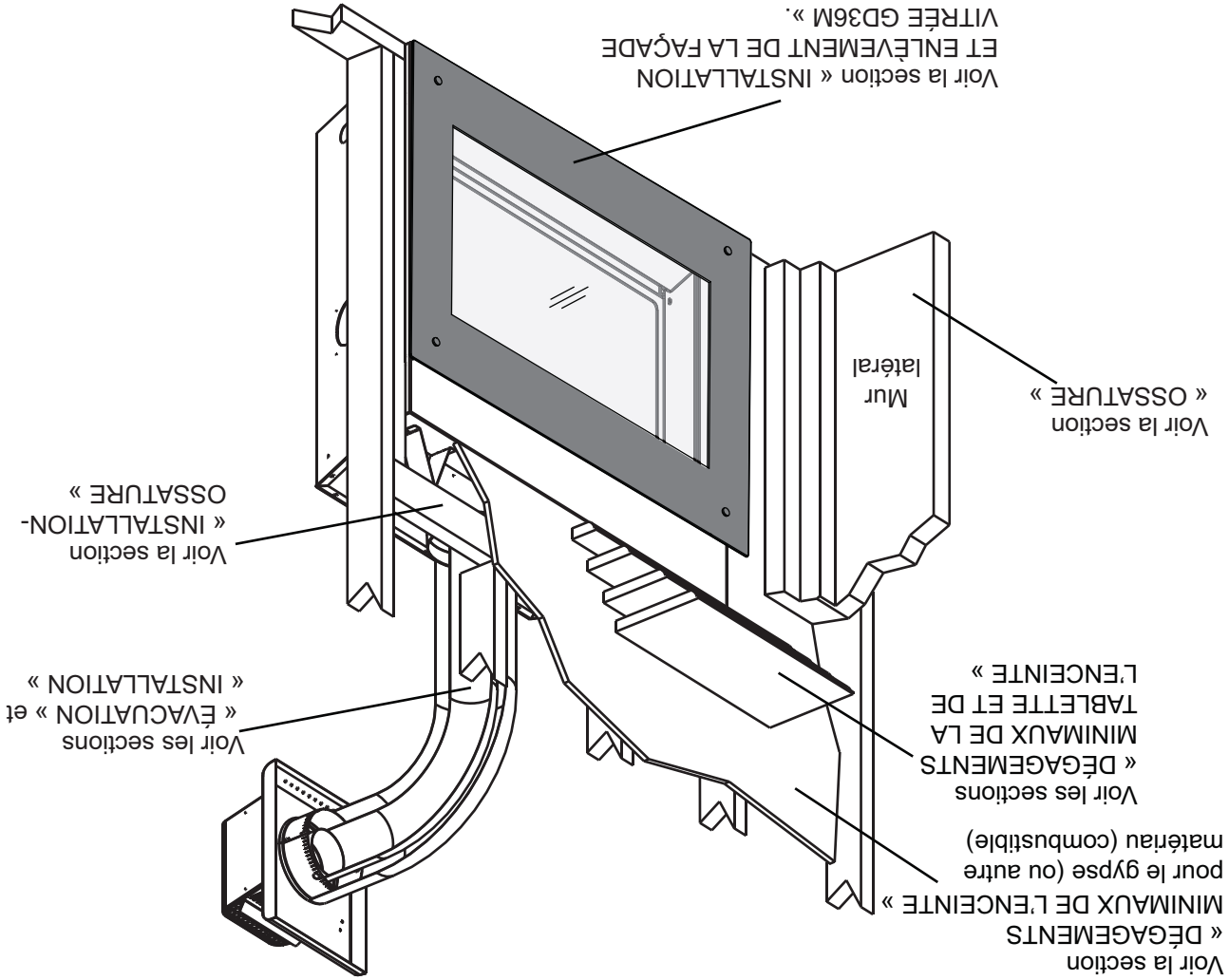
AVERTISSEMENT

- **CET APPAREIL EST CHAUD LORSQU'IL FONCTIONNE ET PEUT CAUSER DE GRAVES BRÛLURES EN CAS DE CONTACT.**
- **TOUTE MODIFICATION APPORTÉE À CET APPAREIL OU AUX CONTRÔLES PEUT ÊTRE DANGEREUX ET EST INTERDIT.**

- Ne faites pas fonctionner l'appareil avant d'avoir lu et compris les instructions d'opération. Omettre d'utiliser l'appareil selon les instructions d'opération pourrait causer un incendie ou des blessures.
- Risque d'incendie ou d'asphyxie. Ne faites pas fonctionner l'appareil avec la vitre retirée.
- Ne branchez pas la soupape à du courant 110 volts.
- Risque de brûlures. L'appareil doit être éteint et refroidi avant d'effectuer un entretien.
- N'installez pas de composants endommagés ou incomplets ni des composants substitués.
- Risque de coupures et d'éraflures. Portez des gants protecteurs et des lunettes de sécurité lors de l'installation. Les bordures des pièces de métal peuvent être coupantes.
- Ne brûlez pas de bois ou autres matériaux dans cet appareil.
- Les enfants et les adultes devraient être informés des dangers que posent les températures de surface élevées et se tenir à distance afin d'éviter des brûlures ou que leurs vêtements ne s'enflamment.
- Les jeunes enfants doivent être supervisés attentivement lorsqu'ils sont dans la même pièce que l'appareil. Les jeunes enfants et autres personnes sont sujets aux brûlures accidentelles. Une barrière de protection est recommandée si des individus à risque se trouvent dans la maison. Afin de restreindre l'accès à l'appareil, installez une barrière de protection ajustable pour garder les jeunes enfants ou autres personnes à risque hors de la pièce et loin des surfaces chaudes.
- Les vêtements et autres matériaux combustibles ne doivent pas être posés sur l'appareil ou à proximité.
- En raison des températures élevées, l'appareil devrait être placé loin des endroits passants et loin des meubles et des rideaux.
- Assurez-vous de disposer de mesures de sécurité adéquates pour empêcher les jeunes enfants de toucher aux surfaces chaudes.

- Même une fois que l'appareil est éteint, la vitre et/ou le pare-étincelles demeureront chauds pendant un temps prolongé.
- Consultez votre détaillant local de foyer pour connaître les grillages de sécurité et les écrans offerts pour protéger les enfants des surfaces chaudes. Ces grillages de sécurité et ces écrans doivent être fixés au plancher.
- Les grillages de sécurité ou écrans enlevés pour faire l'entretien devront être remis en place avant d'utiliser l'appareil.
- Cet appareil est un appareil à gaz ventilé. Ne brûlez pas de bois ou autres matériaux dans cet appareil.
- Il est primordial de garder propres les compartiments de contrôle, les brûleurs, la soufflante, les bouches d'air de l'appareil ainsi que le système d'évacuation. L'appareil et son système d'évacuation doivent être inspectés avant la première utilisation et au moins une fois l'an par un spécialiste en entretien. Un entretien plus fréquent pourrait être nécessaire en raison des peluches provenant des tapis, literie, etc. L'emplacement de l'appareil doit être gardé libre de tous matériaux combustibles, essence ou autres liquides et vapeurs inflammables.
- Cet appareil ne devra être modifié en aucun cas.
- Cet appareil ne doit pas être raccordé au conduit d'une cheminée desservant un autre appareil de chauffage à combustible solide.

- N'utilisez pas cet appareil si une partie quelconque a été submergée. Contactez immédiatement un technicien de service qualifié pour inspecter l'appareil et pour remplacer toute pièce du système de contrôle et du contrôle du gaz qui aurait été submergée.
- Ne pas opérer l'appareil lorsque la porte vitrée est enlevée, fissurée ou brisée. Le remplacement de la vitre devra être effectué par un technicien de service certifié ou qualifié.
- Ne frappez pas et ne claquez pas la porte vitrée de l'appareil.
- Lorsque l'appareil est muni de portes d'évacuation de pression, elles doivent demeurer fermées pendant le fonctionnement de l'appareil afin d'empêcher les gaz de combustion contenant du monoxyde de carbone de s'infiltrer dans la maison.
- Seules les portes/façades certifiées pour cet appareil peuvent être utilisées avec cet appareil.
- Gardez les matériaux d'emballage hors de la portée des enfants et mettez ces matériaux au rebut de façon sécuritaire. Comme tous les emballages de plastique, ces matériaux ne sont pas des jouets et doivent demeurer hors de la portée des enfants et des bébés.
- Comme dans le cas de tout appareil à combustion, il est recommandé de faire inspecter et entretenir votre appareil régulièrement. De même, installez un détecteur de monoxyde de carbone dans la pièce pour vous protéger, ainsi que votre famille, contre les intoxications.
- Assurez-vous de respecter les dégagements aux matériaux combustibles lorsque vous installez un manteau ou des tablettes au-dessus de l'appareil. Les téléviseurs et autres composants électroniques soumis à des températures élevées peuvent fondre, se déformer, se décolorer et entraîner des défaillances prématurées de ces appareils.
- Cet appareil utilise et requiert un thermocouple à action rapide. Remplacez uniquement par un thermocouple à action rapide de Wolf Steel Itée.



1.0 VUE D'ENSEMBLE DE L'INSTALLATION

54	12.1	BGD36CF	13.0	RÉGLAGES	13.0
55	12.2	BGD36CFG / GD36M			
56	13.1	RÉGLAGE DE LA VEILLEUSE			
56	13.2	RÉGLAGE DU VENTURI			
56	13.2.1	RÉGLAGE DU VENTURI DU BGD36CF			
57	13.2.2	RÉGLAGE DU VENTURI DU BGD36CFG / GD36M			
57	13.3	CARACTÉRISTIQUES DE LA FLAMME DU BGD36CF	14.0	ENTRETIEN	14.0
58	13.4	CARACTÉRISTIQUES DE LA FLAMME DU BGD36CFG / GD36M			
59	14.1	REMPLACEMENT DE L'AMPOULE BGD36CFG / GD36M			
59	14.2	REMPLACEMENT DE L'ENSEMBLE DE LENTILLES BGD36CFG / GD36M			
60	14.3	REMPLACEMENT DE LA VITRE DE PORTE			
60	14.4	SOINS DE LA VITRE			
60	14.5	SOINS DES PIÈCES PLAQUÉES	15.0	RECHANGES	15.0
61	16.0	GUIDE DE DÉPANNAGE			
65	16.1	BGD36CF			
66	16.2	BGD36CFG / GD36M	17.0	GARANTIE	17.0
69					
70					

NOTE : Les changements autres que de nature éditoriale sont dénotés par une ligne verticale dans la marge.

12.0	FONCTIONNEMENT	11.3	SCHEMA DE CABLAGE DU RECEPACLE
53		11.2	INTERRUPTEUR DU BRULEUR DU BGD36CFG / GD36M
51		11.1	INTERRUPTEUR DE LA LUMIERE DU BGD36CF / GD36M
11.0	SCHEMA DE CABLAGE	10.1	ACCES A LA SOUFFLERIE
50			
10.0	INSTALLATION DE LA SOUFFLERIE OPTIONNELLE	9.3	INSTALLATION DU PANNEAU REFLECTEUR EN PORCELAINE SUPERIEUR GD36M
49		9.2	INSTALLATION ET ENLEVEMENT DE LA FACADE VITREE GD36M
48		9.1	INSTALLATION DU BRULEUR POUR BRAISES VITRIEES
9.0	FINITION DU BGD36CFG / GD36M	8.5	ENSEMBLE DE ROCHES OPTIONNEL
47		8.4	MISE EN PLACE DU LOGO
46		8.3	BRAISES DE CHARBON DE BOIS
46		8.2	BRAISES INCANDESCENTES
45		8.1	DISPOSITION DES BUCHES
8.0	FINITION DU BGD36CF	7.2	INSTALLATION DU CONTOUR PLEINE VISION A L'EXCEPTION DU MODELE GD36M
44		7.1	OUVREURE ET FERMETURE DE LA PORTE
7.0	FINITION	6.6	DEGAGEMENTS MINIMAUX DE LA TABLETTE
42		6.5	INSTALLATION EN ALCOVE
42		6.4.2	INSTALLATION DE LA BASE DE PROTECTION
41		6.4.1	INSTALLATION DU PLANCHER FINI
40		6.4	OSSATURE ET FINITION DU CONTOUR PLEINE VISION A L'EXCEPTION DU MODELE GD36M
40		6.3.4	INSTALLATION DE L'ENCEINTE AVEC LE CONTOUR PLEINE VISION OPTIONNEL OU LA FACADE VITREE STYLO (GD36M)
39		6.3.3	ENCEINTE EN ALCOVE
38		6.3.2	ENCEINTE POUR UNE EVACUATION SUR LE DESSUS
38		6.3.1	ENCEINTE DE L'EVACUATION A L'ARRIERE
37		6.3	DEGAGEMENTS MINIMAUX DE L'ENCEINTE
37		6.2.1	INSTALLATION DU LINTAU EN ACIER POUR LE CONTOUR PLEINE VISION ET LA FACADE VITREE STYLO
36		6.2	DIMENSIONS MINIMALES DE L'OSSATURE
34		6.1	INSTALLATION DES ESPACEURS
6.0	OSSATURE	5.9	INTERRUPTEUR MURAL OPTIONNEL A L'EXCEPTION DU MODELES BGD36CFG ET GD36M
32		5.8	BRANCHEMENT DU GAZ
31		5.7	INSTALLATION DANS UNE MAISON MOBILE
31		5.6.1	INSTALLATION DE LA TERMINAISON VERTICALE
30		5.6	TERMINAISON VERTICALE A TRAVERS UNE CHEMINÉE EXISTANTE
29		5.5.2	INSTALLATION DE LA TERMINAISON HORIZONTALE PROLONGÉE AJUSTABLE
28		5.5.1	INSTALLATION DE LA TERMINAISON HORIZONTALE
27		5.5	UTILISATION DE COMPOSANTS RIGIDES D'EVACUATION
27		5.4.3	RACCORDMENT DES EVENTS A L'APPAREIL
26		5.4.2	INSTALLATION DE LA TERMINAISON VERTICALE
25		5.4.1	INSTALLATION DE LA TERMINAISON HORIZONTALE
25		5.4	UTILISATION DES COMPOSANTS FLEXIBLES D'EVACUATION
24		5.3	INSTALLATION VERTICALE
23		5.2	INSTALLATION HORIZONTALE
22		5.1	PROTECTION DU MUR ET DU PLAFOND
5.0	INSTALLATION	4.4	EVACUATION SUR LE DESSUS
21		4.3	EVACUATION A L'ARRIERE
21		4.2	OUVREURE ET FERMETURE DE LA PORTE
20		4.1	ENLEVEMENT DE LA PORTE D'ACCES DE LA SOUPAPE ET DE LA MOULURE DE PORTE SUPERIEURE
4.0	PRÉPARATION AVANT L'INSTALLATION	3.10	EVACUATION SUR LE DESSUS OU A L'ARRIERE TERMINAISON VERTICALE
18		3.9	EVACUATION A L'ARRIERE TERMINAISON HORIZONTALE
16		3.8	EVACUATION SUR LE DESSUS TERMINAISON HORIZONTALE
14		3.7	VALEUR DU COUDE EN LONGUEUR D'EVENT
14		3.6	LEGENDE
13		3.5	CHARTRE D'APPLICATION DES EVACUATIONS
12		3.4	EMPLACEMENTS ET DEGAGEMENTS MINIMAUX DE LA TERMINAISON
11		3.3.2	INSTALLATION EN COIN
11		3.3.1	ENSEMBLE PERISCOPIQUE
11		3.3	INSTALLATIONS PARTICULIÈRES D'ÉVÉNEMENTS
9		3.2	INSTALLATIONS TYPIQUES D'ÉVÉNEMENTS
8		3.1	LONGUEURS DES CONDUITS D'EVACUATION ET COMPOSANTS
3.0	EVACUATION	2.4	PLAQUE D'HOMOLOGATION
7		2.3	INFORMATION GÉNÉRALE
7		2.2	INSTRUCIONS GÉNÉRALES
5		2.1.2	GD36M
5		2.1.1	BGD36CF / BGD36CFG
5		2.1	DIMENSIONS
2.0	INTRODUCTION		
1.0	Vue d'ensemble de l'installation		

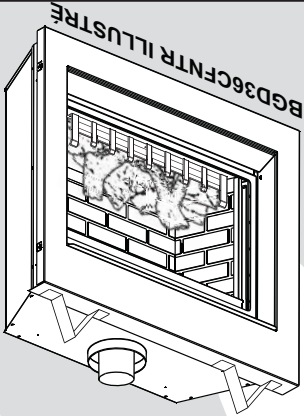
TABLE DES MATIÈRES

Wolf Steel Ltd., 24 Napoleon Rd., Barrie, ON, L4M 0G8 Canada /
103 Miller Drive, Crittenden, Kentucky, USA, 41030
Téléphone 705-721-1212 • Télécopieur 705-722-6031 • www.napoleonfoyers.com • ask@napoleon.on.ca



AVERTISSEMENT

LA VITRE CHAUDE CAUSERA DES BRÛLURES.
NE PAS TOUCHER LA VITRE AVANT QU'ELLE AIT REFROIDI.
NE JAMAIS LAISSER LES ENFANTS TOUCHER LA VITRE.



MODÈLE AU GAZ PROPANE

BGD36CFNR, BGD36CFGP & GD36MP

MODÈLE AU GAZ NATUREL

BGD36CFNR, BGD36CFGN & GD36MN

Cet appareil peut être installé dans une maison préfabriquée (mobile) déjà installée à demeure si les règlements locaux le permettent.

Cet appareil doit être utilisé uniquement avec le type de gaz indiqué sur la plaque signalétique. Cet appareil ne peut être converti à d'autres gaz, sauf si une trousse de conversion est utilisée.

- N'entrez pas et n'utilisez pas d'essence ou autres liquides et vapeurs inflammables à proximité de cet appareil ou tout autre appareil.
- QUE FAIRE SI VOUS DÉTECTEZ UNE ODEUR DE GAZ :
 - N'allumez aucun appareil.
 - Ne touchez à aucun interrupteur électrique;
 - n'utilisez aucun téléphone dans votre immeuble.
 - Appelez immédiatement votre fournisseur de gaz d'un téléphone voisin. Suivez ses instructions.
 - Si vous ne pouvez pas rejoindre votre fournisseur de gaz, appelez le service des incendies.
- L'installation et l'entretien doivent être faits par un installateur qualifié, une agence d'entretien ou le fournisseur.

AVERTISSEMENT

CONSIGNES DE SÉCURITÉ

Si ces instructions ne sont pas suivies à la lettre, un incendie ou une explosion pourraient s'ensuire, causant des dommages matériels, des blessures corporelles ou des pertes de vie.

CERTIFIÉ POUR LE CANADA ET LES ÉTATS-UNIS SELON LES MÉTHODES ANSI/CSA.

HOMOLOGUÉ SELON LES NORMES NATIONALES CANADIENNES ET AMÉRICAINES, CSA 2.22, ANSI Z21.51 POUR LES APPAREILS DE GAZ VENTILÉS.

INSTRUCTIONS D'INSTALLATION ET D'OPÉRATION

FOYERS DE QUALITÉ NAPOLÉON

INSTALLATEUR : LAISSEZ CE MANUEL AVEC L'APPAREIL.
PROPRIÉTAIRE : CONSERVEZ CE MANUEL POUR CONSULTATION ULTÉRIEURE.
NE LAISSEZ PAS LES ENFANTS OU AUTRES INDIVIDUS À RISQUE SEULS À PROXIMITÉ DE L'APPAREIL.