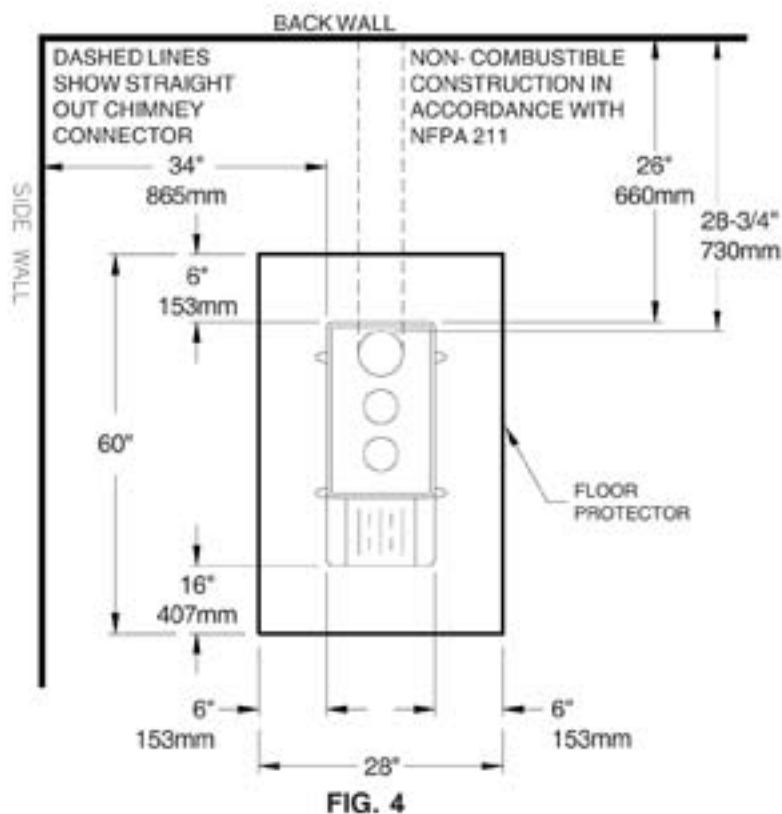
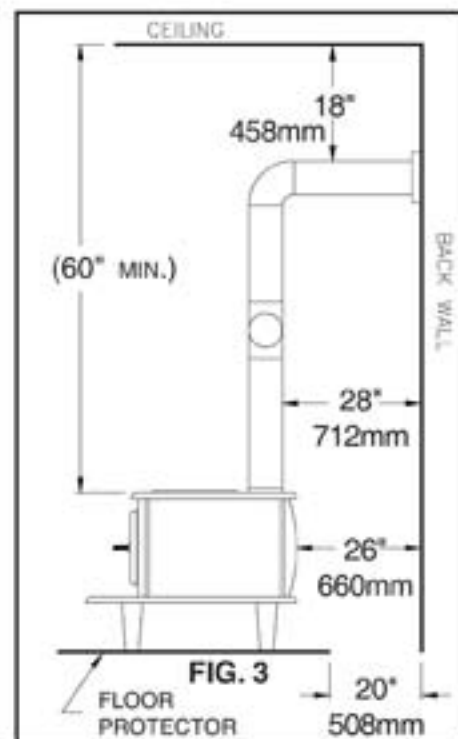
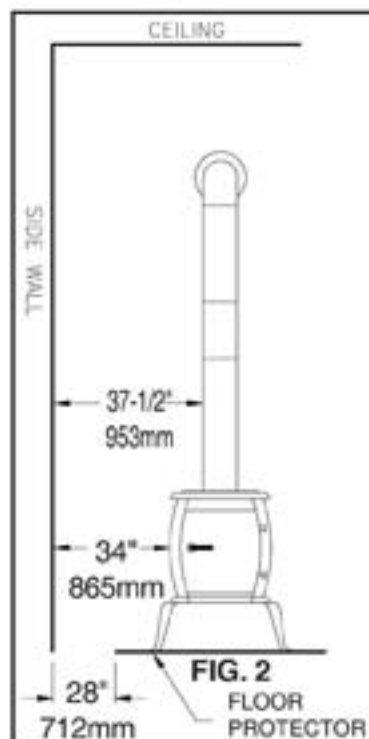


HEATER/FLOOR PROTECTOR LOCATION

(Dimensions are required for *non-protected surfaces*.
See chart for dimensions for *protected surfaces*.)



MINIMUM CLEARANCE TO COMBUSTIBLE WALLS



CAUTION!
KEEP FURNISHINGS AND OTHER
COMBUSTIBLE MATERIALS
AWAY FROM THE HEATER.

Protected Surfaces (NFPA 211)		
Parallel		Corner
Side	Rear	
12-inches	12-inches	12-inches
305-mm	305-mm	305-mm