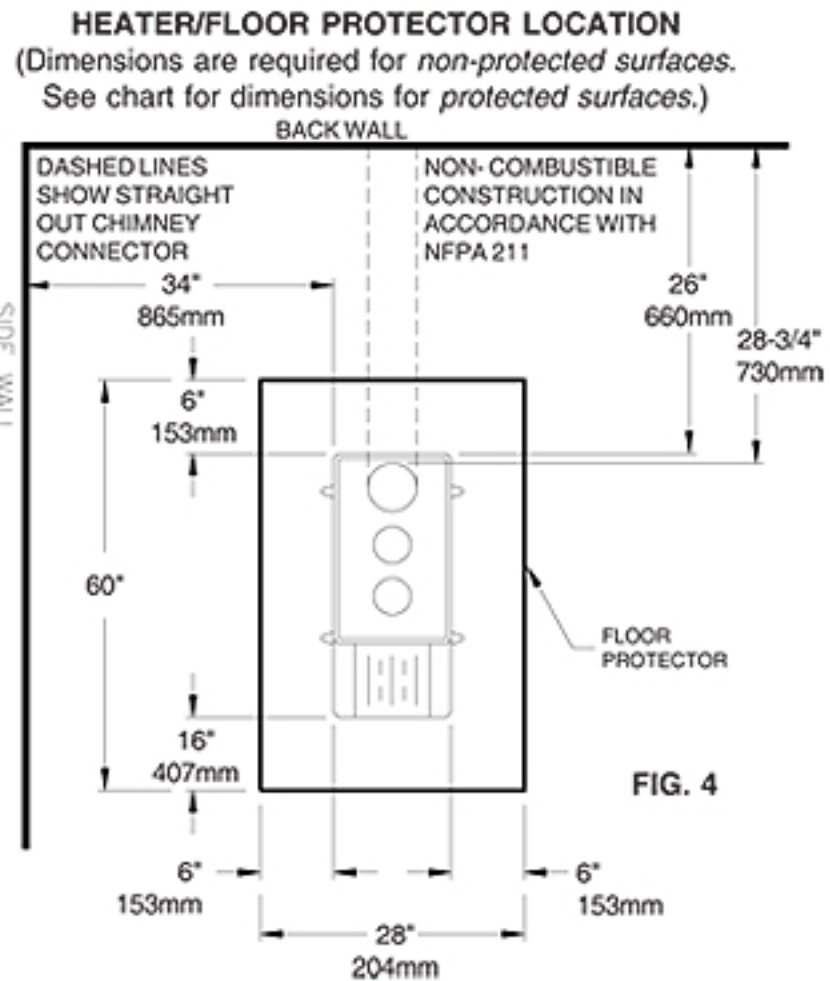
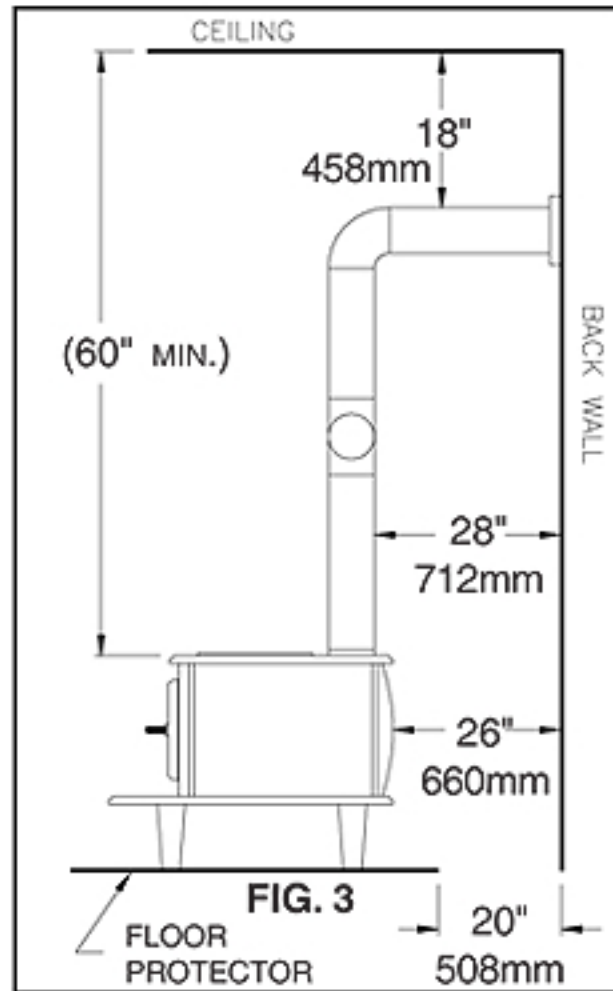
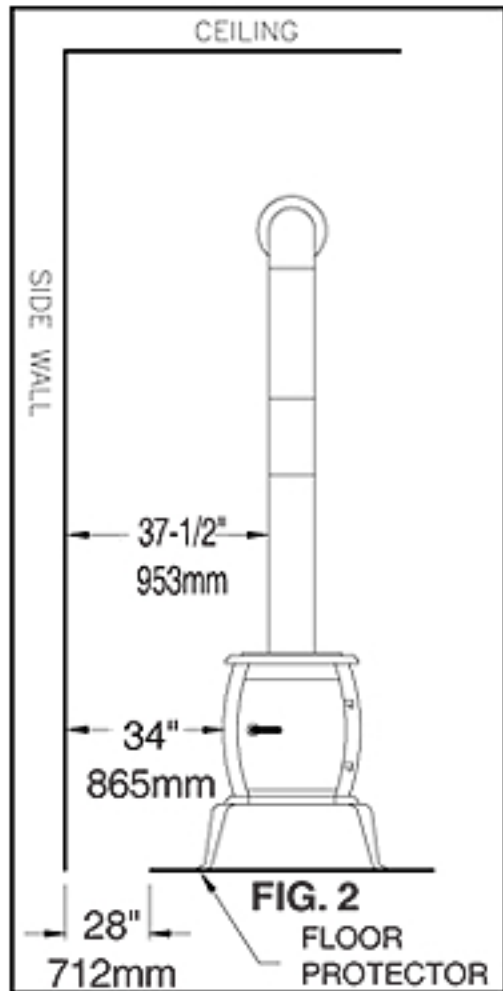


# MINIMUM CLEARANCE TO COMBUSTIBLE WALLS



Protected Surfaces (NFPA 211)		
Parallel	Corner	
Side	Rear	Corner
12-inches	12-inches	12-inches
305-mm	305-mm	305-mm

**CAUTION!**  
KEEP FURNISHINGS AND OTHER  
COMBUSTIBLE MATERIALS  
AWAY FROM THE HEATER.