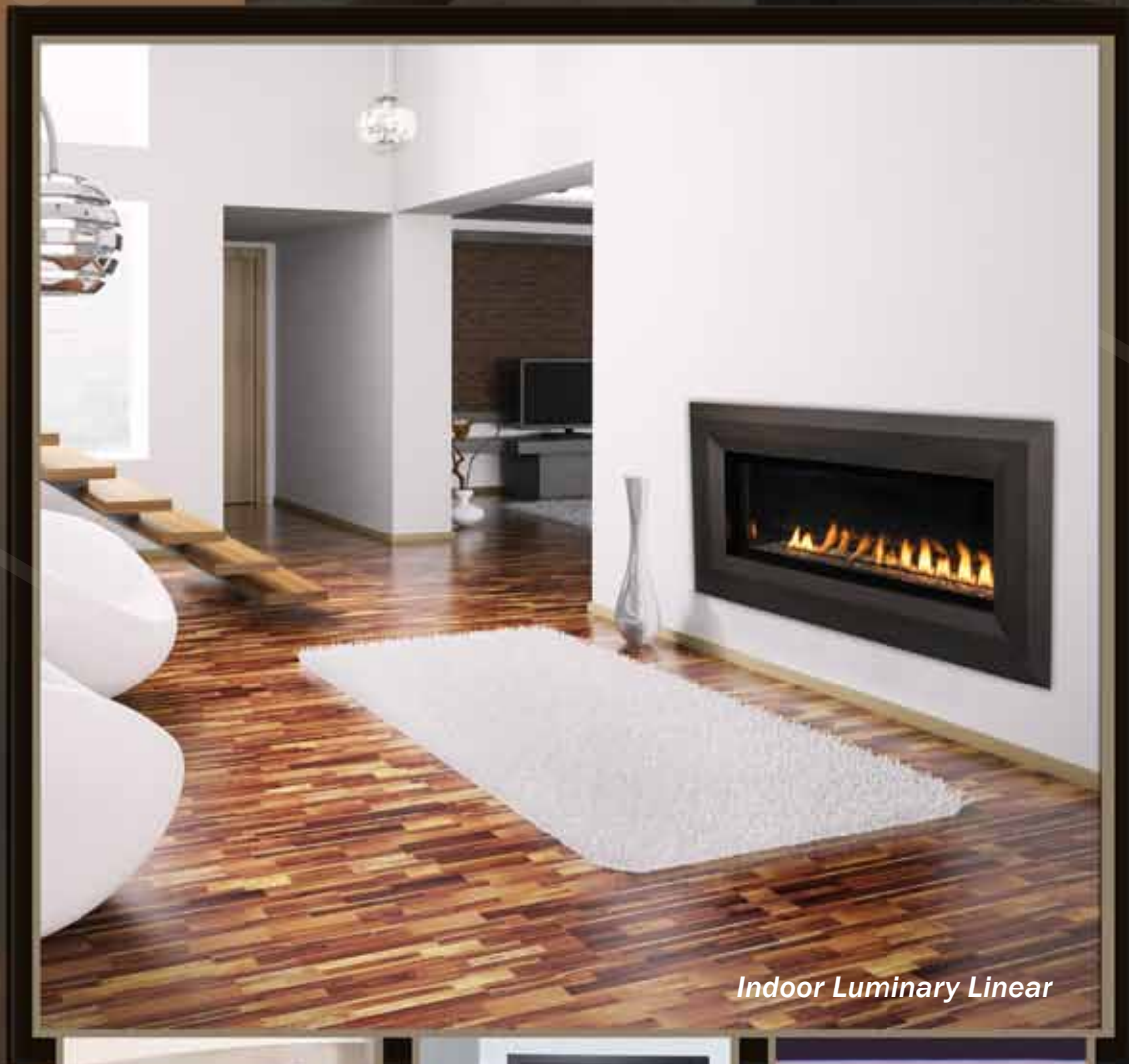


Luxury Contemporary Series Gas Fireplaces & Burner Systems



**Contemporary
Clean Faced**



**Contemporary
Pebble Burner**



**Outdoor
Luminary Linear**



Luxury Contemporary Series Gas Fireplaces

Luxury Contemporary Series

Indoor Luminary Linear

Vantage Hearth introduces two Indoor Luminary Linear Fireplaces from the *Luxury Contemporary Series*; the Linear Direct Vent and Linear Vent-Free Gas Fireplaces. These dynamic products are offered in an amazingly chic and polished style with adaptability and versatility sure to impress anyone.

Both fireplaces span 43" across and take on a modern oblong shape. Reflective black porcelain lined interior walls amplify the flame and boast the power of the fire. Crystal clear glass beads add sparkle to the burner and dazzling yellow flames. The lively blaze is highlighted by a glowing tray of embers and is innovatively accented with halogen lighting; lights shine from underneath the glass stones to elegantly illuminate your fireplace. With mood lighting you can create ambiance whether the fire is burning or not.



Convert your Linear fireplace into a See-Thru model. A choice solution for upgrading two rooms at once.

This cutting edge design is far from traditional, and controls remain concealed so the finished look remains clean and effortless. This standout series is beyond accommodating when it comes to application. Both swanky hearths have the ability to transform to see-thru models. Simply remove the back panel on your linear fireplace to easily transform to a multi-view model with the optional see-thru conversion kits (Direct Vent - LDSTI / Vent-Free - LVSTI). Direct Vent conversion kits include a glass door so that you may enjoy this focal point from two vantage points.

We've taken the Direct Vent Linear to the next level! Once you've installed the see-thru conversion kit, you can opt for the Indoor/Outdoor See-Thru Upgrade (LDSTO). This appealing accessory allows you to install your fireplace in an exterior wall so that you can enjoy it from the warmth of your home and your backyard retreat. The kit includes a tempered glass door and weather-proof frame.



Accent Lighting illuminates your fireplace even when it's not burning.

Operate halogen lights with the included remote control.



The Linear Fireplace Direct Vent burners include ember material that extends the flame.



Our Linear fireplaces can be finished right up to the edge or be bold and choose from our Decorative Face Trim Frames offered in aged silver, aged copper and black.



Make your Linear Direct Vent a See-Thru Model. Take it to the next level with Indoor/Outdoor Accessory See-Thru Door Kit.

Fireplaces

Luxury Contemporary Series Gas Fireplaces

Outdoor Luminary Linear

Vantage Hearth premieres the new Outdoor Vent-Free Linear Fireplace System, a stainless steel masterpiece equipped a glass weather panel to resist the outdoor elements. Reflective interior walls amplify the flame and boast the power of the fire.

The green glass beads add sparkle to the burner and already dazzling yellow flames. Complement your patio with alternative pebble colors by adding accessory glass stones in clear, blue, green or fiery speckled orange.

The lively blaze is innovatively accented with halogen lighting. The lights shine through from underneath the glass stones to elegantly illuminate your fireplace. Now you can create ambiance with mood lighting whether the fire is burning or not.



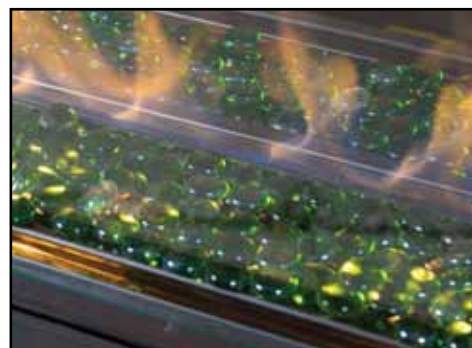
Transform to See-Thru models so you can enjoy the beauty from two sides.

Controls remain concealed so the finished look remains as clean and effortless as possible. The fireplace features an adjustable flame and electronic ignition for your convenience. Remote control and emerald green glass pebbles are standard. Mood lighting is also included and operates with the flick of a switch. Transform your Outdoor Luminary Linear Vent-Free fireplace to a see-thru model by removing the back panel and installing the two sided conversion kit. It easily transforms your fireplace to a multi-view model. The LVOST two sided kit includes an additional glass panel and trim piece.



Remote control conveniently included for flame control.

Outdoor Linear Fireplaces help set the mood with ambient lighting, dancing flames and glass beads.



Luminary Linear Gas Fireplaces						
SIZE	MODEL #	DESCRIPTION	CONTROL	BTU OUTPUT	FUEL	WEIGHT
<i>Indoor Luminary Vent-Free Gas Fireplaces</i>						
43"	VLVF43NR	Vent-Free Indoor Linear Fireplace	Proflame Remote Control	40,000	Natural	225.0 lbs.
43"	VLVF43PR	Vent-Free Indoor Linear Fireplace	Proflame Remote Control	40,000	Propane	225.0 lbs.
<i>Indoor Luminary Direct Vent Gas Fireplaces</i>						
43"	VLDV43NE	Direct Vent Linear Fireplace	Electronic Ignition*	26,000 to 41,000	Natural	245.0 lbs.
43"	VLDV43PE	Direct Vent Linear Fireplace	Electronic Ignition*	25,000 to 39,000	Propane	245.0 lbs.
<i>Outdoor Luminary Ventless Gas Fireplaces</i>						
43"	VLFO43NE	Ventless Outdoor Linear Fireplace	Electronic Ignition*	40,000	Natural	225.0 lbs.
43"	VLFO43PE	Ventless Outdoor Linear Fireplace	Electronic Ignition*	40,000	Propane	225.0 lbs.

*Electronic Ignition models include remote control.

Luxury Contemporary Series Gas Fireplaces

Luxury Contemporary Series

Contemporary Clean Faced Direct Vent

The clean face design of Vantage Hearth's new Contemporary Clean Faced Direct Vent Gas Fireplace moves away from the traditional concept of the Direct Vent fireplace with unsightly sheet metal and louvers.

Every effort was exhausted on our design to maximize the things you want to see, and to get rid of the things you don't. The smooth glass pebbles add a modern touch to this sleek hearth. And while the strong blaze of the hidden pan burner creates lively, colorful flames, the black porcelain reflective panels magnify them. The ceramic glass door provides maximum radiant heat.



The Contemporary Clean Faced Direct Vent gas fireplace features a fully electronic ignition and control system with battery back-up for safe, reliable duty even in power outages. The system can be conveniently operated from a wall switch or the included remote control.

Solid steel chassis face includes heavy, continuous nailing flanges and drywall stops around the face frame for solid installation, and includes a tough, textured powder coat finish. Product dimensions appear on the back of this brochure, please refer to the owner's manual for framing dimensions.



Reflective black porcelain lined interior walls amplify the flame and boast the power of the fire.



Contemporary Clean Faced Direct Vent Fireplaces

SIZE	MODEL #	DESCRIPTION	CONTROL	BTU OUTPUT	FUEL	WEIGHT
36"	VEADV36NE	Direct Vent Fireplace	Electronic Ignition*	27,000 to 51,000	Natural	TBD
36"	VEADV36PE	Direct Vent Fireplace	Electronic Ignition*	26,000 to 42,000	Propane	TBD
42"	VEADV42NE	Direct Vent Fireplace	Electronic Ignition*	36,000 to 59,000	Natural	TBD

*Electronic Ignition models include remote control.

Sleek & Sophisticated

Contemporary Pebble Burner

Introducing the Luminary Series *Contemporary Pebble Burner System*, a beautifully sleek alternative to a traditional gas log set. The polished pan burner and elegant glass stones are far from the classic hearth look. The rich yellow flames dance across the glistening glass rock for a sophisticated and chic appearance. Refining any vent-free firebox with this unique pebble burner is quick and easy.

The *Contemporary Pebble Burner* is available in 24" and 30" sizes. The remote ready burner system makes adding the accessory remote control or wall mount switch easy. Controls remain hidden to keep your look as clean and effortless as possible. Best of all, you can give your living space a fresh start without the inconvenience or price tag of home remodeling.

Crystal clear smooth glass pebbles come with every model. Accessory glass pebbles in alternative shades are available to match the décor of any room. Opt for the fiery speckled orange stones to liven the look of your flame or choose one of the three other jewel toned colors to set the mood. Customize your look by adding lava rock or glowing platinum embers.

The *Contemporary Pebble Burner* offers you the flexibility of upgrading your conventional Vent-Free firebox with the latest technology in the industry. This cutting edge design is a perfect match for today's home.



Contemporary Pebble Burner System shown above with optional vent-free firebox and our new black reflective porcelain liner accessory.



The Contemporary Pebble Burner System helps to set the mood with dancing flames and clear glass beads.



Customize your showpiece with colored stone accessories available in Amber, Green, Speckled Orange and Blue.

Contemporary Pebble Burner						
SIZE	MODEL #	DESCRIPTION	CONTROL	BTU OUTPUT	FUEL	WEIGHT
24"	VFC24NR	Vent-Free Burner System	Remote-Ready	32,000	Natural	19.0 lbs.
24"	VFC24PR	Vent-Free Burner System	Remote-Ready	32,000	Propane	19.0 lbs.
30"	VFC30NR	Vent-Free Burner System	Remote-Ready	32,000	Natural	23.0 lbs.
30"	VFC30PR	Vent-Free Burner System	Remote-Ready	32,000	Propane	23.0 lbs.

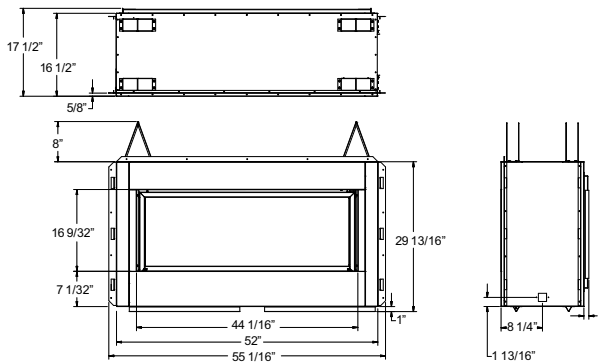
Minimum Firebox Requirements				
BURNER SIZE	HEIGHT	DEPTH	FRONT WIDTH	REAR WIDTH
24"	17"	13 1/2"	26"	18"
30"	17"	13 1/2"	32"	22"

Luxury Contemporary Series Gas Fireplaces

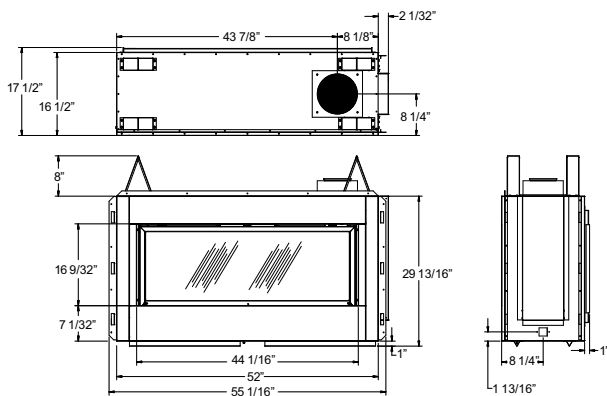


Glass pebbles are available in Amber, Green, Speckled Orange, Clear & Blue.

Luminary Linear Vent-Free Product Dimensions



Luminary Linear Direct Vent Product Dimensions



Accessories For All Contemporary Luxury Series

GP43A	Smooth Glass Pebbles - Amber	6.0 lbs.
GP43B	Smooth Glass Pebbles - Blue	6.0 lbs.
GP43G	Smooth Glass Pebbles - Green	6.0 lbs.
GP43SO	Smooth Glass Pebbles - Speckled Orange	6.0 lbs.
GP43C	Smooth Glass Pebbles - Clear	6.0 lbs.

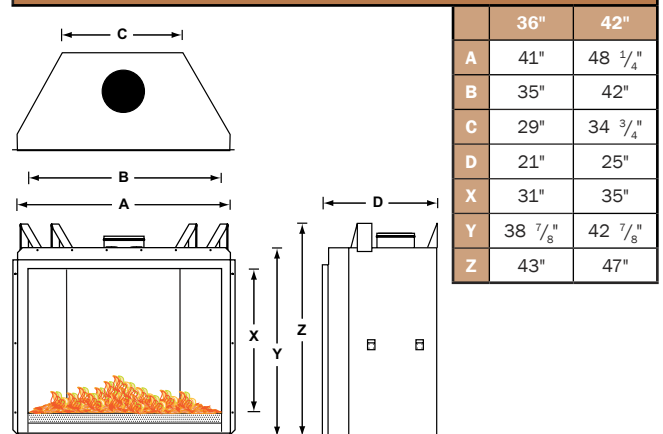
Accessories For Luminary Linear Fireplaces

LDSTI	Direct Vent Linear See-Thru Conversion Kit	39.0 lbs.
LDSTO	Direct Vent Linear Indoor/Outdoor See-Thru Upgrade (For use with LDSTI)	27.0 lbs.
LVSTI	Indoor Vent-Free Linear See-Thru Conversion Kit	25.3 lbs.
LVOST	Outdoor Vent-Free Linear See-Thru Conversion kit	30 lbs.
LV43DS	Vent-Free Linear Draft Shield	
DFT43B	Decorative Face Trim - Black	20.0 lbs.
DFT43AC	Decorative Face Trim - Aged Copper	20.0 lbs.
DFT43AS	Decorative Face Trim - Aged Silver	20.0 lbs.

Accessories For Contemporary Pebble Burner

GWMT1	Wall Mount Thermostat Control Kit	1.0 lb.
GWMS2	Wall Mount On/Off Switch Kit	1.0 lb.
MRC	On/Off Remote Control Kit	1.0 lb.
TRC	Thermostat Remote Control Kit	1.0 lb.
GA6060	Lava Rock	2.5 lbs.

Contemporary Clean Faced Direct Vent Product Dimensions



Note: All measurements are in inches. Dimensions in this catalog are approximate.
 For accurate product and framing dimensions, refer to the installation instructions at <http://fmisupport.hcents.com/>



Look For Us Online
www.fmiproducts.com

IMPORTANT

Installation must be done by qualified service persons.
 Read Owner's Manual before using.
 Check local codes and ordinances for permitted uses.
 Vent-free gas products are prohibited for bedroom and bathroom installation in Massachusetts.
 All products approved for manufactured (mobile) home installation.
 We reserve the right to amend product specifications without notice.
 Operating heater at very high elevations could cause nuisance outages.

Use with adequate air (ventilation) only. Humidifies while it heats. Provides water vapor in the area heated. Refer to owner's manual for specifics.
 Product cannot be converted between fuel types.
 The only warranty we offer is our standard warranty. Please read the warranty for any limitations or disclaimers.
 All parts have a limited four year warranty.
 Stainless Steel burners carry a limited five year warranty.
 All accessories have a one year warranty.