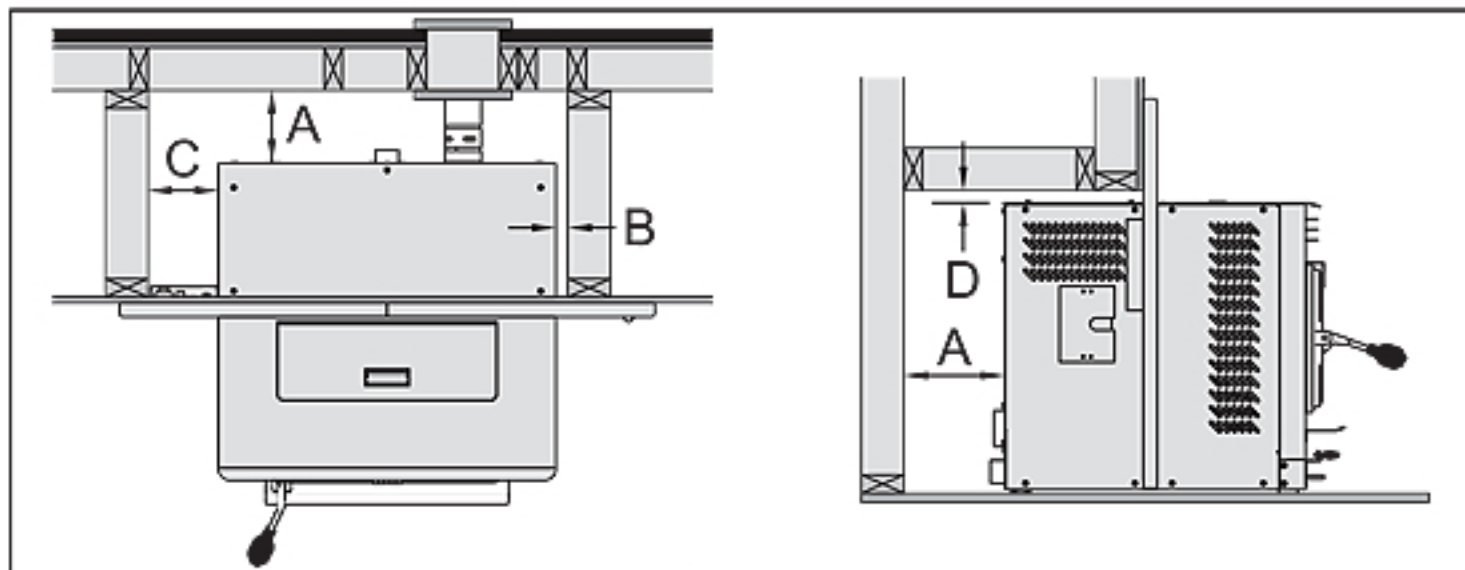
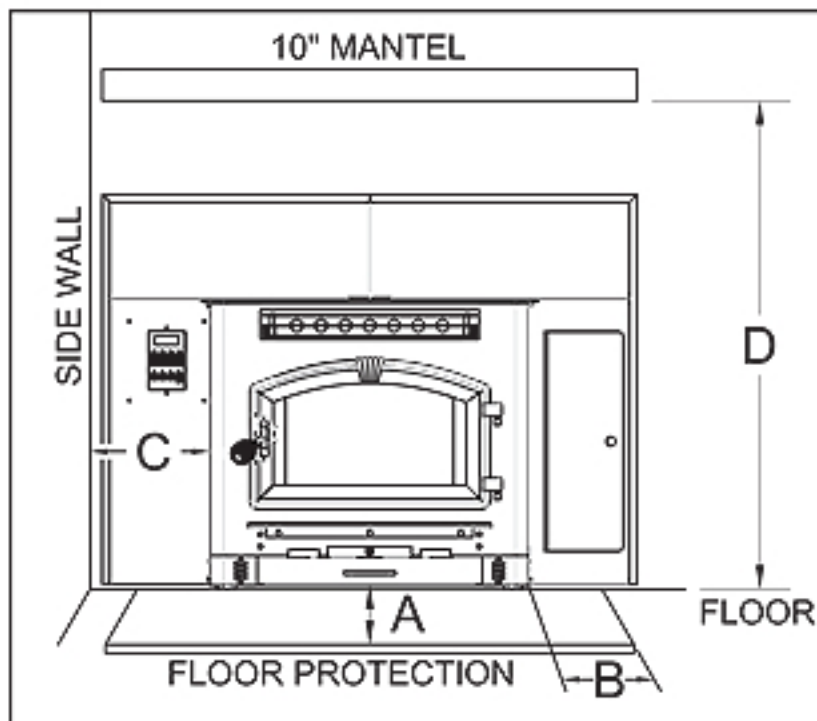


# CLEARANCES TO COMBUSTIBLES 6041I



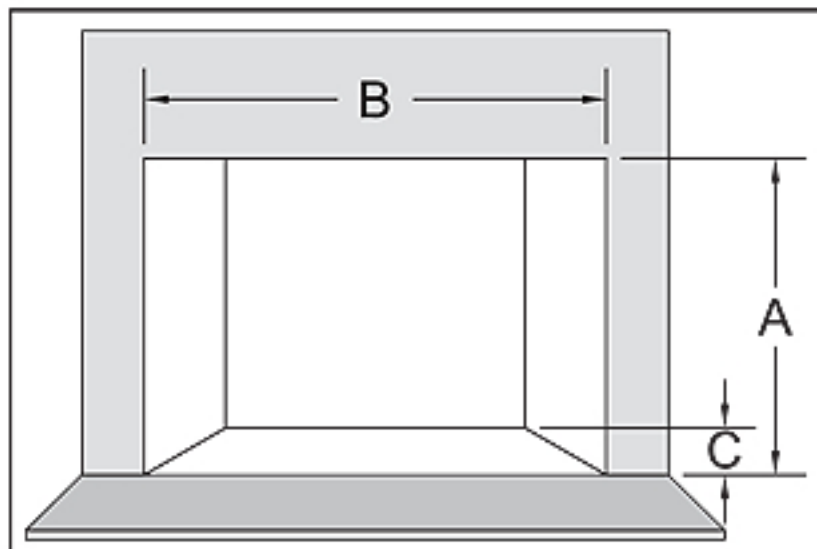
AS A BUILT-IN

KEY		INCHES
A	BACK OF UNIT TO WALL	6
B	RIGHT SIDE OF UNIT TO WALL	1
C	LEFT SIDE OF UNIT TO WALL	6
D	TOP OF UNIT TO WALL	1



EXTERNAL CLEARANCE TO COMBUSTIBLES

KEY		INCHES
A	FLOOR PROTECTOR EDGE TO FRONT OF UNIT	6
B	FLOOR PROTECTOR EDGE TO SIDE OF UNIT	6
C	LEFT SIDE OF UNIT TO WALL	8
D	FLOOR TO MANTEL	53



MINIMUM OPENING FOR MASONRY AND FACTORY-BUILT FIREPLACES

KEY		INCHES
A	HEIGHT	24
B	WIDTH	40
C	DEPTH	20