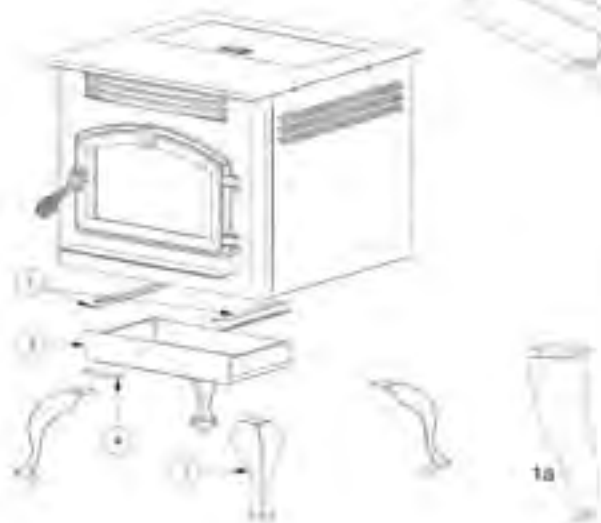


### MODEL 6041HF PARTS

Key	Parts No.	Description	Qty.
1	25523	Leg, Cast Iron	4
1a	891216	Leg, Steel (alternate to item 1)	4
2	25425MB	Guide Rail, Ash Pan	2
3	69483B	Ash Pan Weldment	1
N/S	69540	Louver, Stainless	3
N/S	891135	Door Handle, Spring (Nickel)	1
N/S	891331	Handle, Small Spring (Nickel)	1
4	891137	Handle, Ash Pan (Nickel)	1
N/S	83525	Leveler Bolt	4



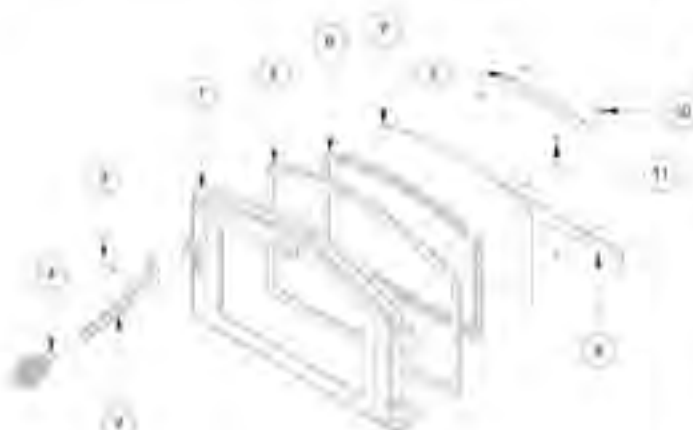


Key	Parts No.	Description	Qty.
1	69529MB	Pedestal	1
2	25410MB	Pedestal Bottom	1
3	25451MB	Pedestal Rack	1
4	69478MB	Ash Pan	1
5	891137	Handle (Nickel)	1
6	25533	Damper/Cleanout Guide	2
7	25532	Cleanout Guide	2
8	25531MB	Ash Cleanout (Lower)	2
9	69528MB	Damper	1
10	891660	Burnpot	1
11	891059	Agitator	1
12	83529	Hair Pin	2
13	25524	Ash Cleanout (Inner)	2
14	891671	Igniter Tube Weldment	1
15	88118	Igniter Flange Gasket	1
16	80543	Igniter Cartridge	1
17	69516	Fuel Door Assembly	1
18	891135	Spring Handle (Large)	1
19	25080MB	Door Latch	1
20	891705	Vermiculite Board (Herringbone)	1
21	69497	Louver Assembly	1
22	88116	Insulation (Kao wool)	1
23	86627	Exhaust Duct Weldment	1
24	88114	Exhaust Duct Gasket	1
N/S	88148	Blower Motor to Fan Housing Gasket	1
25	80473	Exhaust Blower	1
N/S	40494	Exhaust Blower Tip	1
26	88100	Exhaust Blower Gasket	1
27	80472	Distribution Blower	1
28	88106	Distribution Blower Gasket	1
29	NA	NA	
30	80491	Micro Switch	1
31	891164	Auger Housing Weldment	1
32	891141	Auger	1
33	891132	Bottom Bushing (Retaining Ring - Pt # 83534)	1
34	891673	Top Bushing Plate Assy.	1
35	891248	Bottom Plate Retainer	1
36	891195	Drive Motor Bracket	1

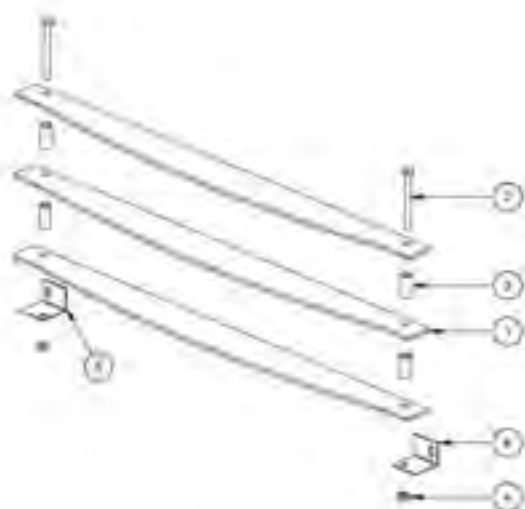
Key	Parts No.	Description	Qty.
37	891169	Hose (2 per)	.17 ft
38	891180	Auger Cover	1
39	88120	Gasket, 0.188 x 1.0 Flat FbrGlass.	.25 ft
40	80488	Drive Motor (Auger)	1
41	80456	Drive Motor (Agitator)	1
42	891083	Sprocket, Motor	1
43	891057	Sprocket, Shaft	1
44	891058	Chain - 36 Links	1
45	891669	Primary Bushing Assembly	1
46	88111	Agitator Bracket Gasket	1
47	891670	Secondary Bushing Assembly	1
48	891706	Drive Shaft - Agitator	1
49	80549	Pressure Switch	1
50	25648	Pressure Switch Bracket	1
51	891121	Silicone Hose	0.4 ft
52	83564	Hose Clamp	1
53	89586	Auger Nipple	1
54	80381	110°F Snap Disc (Low Limit)	1
55	80390	170°F Snap Disc (High Limit)	1
56	69506	Cabinet Support, Top/Left	1
57	25448	Support Frame, Back/Left	1
58	69505	Cabinet Support, Top/Right	1
59	25447	Support Frame, Back/Right	1
60	25412MB	Right Cabinet Side	1
61	25411MB	Left Cabinet Side	1
62	80575	PCB, Circuit Board	1
N/S	80485	Wiring Harness, Main	1
63	25682MB	Cabinet Deck	1
64	80462	Receptacle, 3-Prong	1
65	80461	Power Supply Cord	1
66	25686MB	Top/Lid Assembly	1
67	891707	Lid Only	1
68	891148	Plastic Handle	1
69	25493	Corner Trim	2
70	25468MB	Trim, Front Panel	1
71	25472MB	Trim, Left Panel	1
72	25471MB	Trim, Right	1
	80580	Hepper Switch Wire	1
N/S	891963	One piece trim	1



## MODEL 6039(T) - FEED DOOR COMPONENTS - 69516

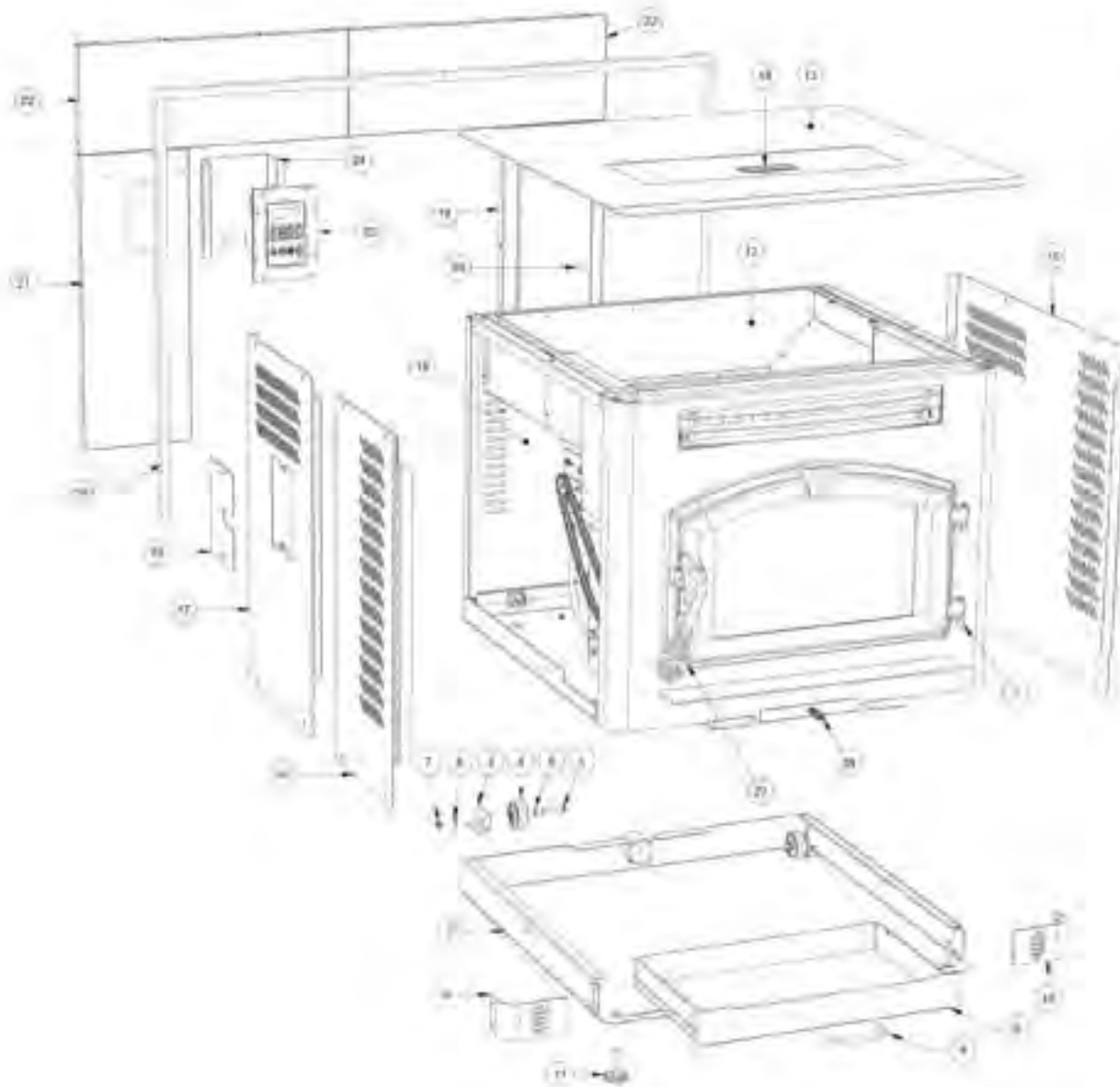


Key	Parts No.	Description	Qty.
1	25491	Feed Door	1
2	25692	Handle, Door - Bent	1
3	83506	Roll Pin, 3/8 x 1 1/4	1
4	891135	Handle, Spring (Parts Bag)	1
5	88066	Door Gasket	5 ft
6	88087	Gasket, Glass (1 x 3/16)	4 ft
7	891131	Glass Ceramic	1
8	25464	Retainer, Top Glass	1
9	25465	Retainer, Bottom Glass	1
10	83202	Machine Screw	4
11	83278	#10 Flat Washer	4
N/S	89698	Silicone Sealant	3 oz.



## MODEL 6039 - LOUVER ASSEMBLY - 69497MB

Key	Parts No.	Description	Qty.
1	86623	Louver	3
2	83531	Screw, 10-24UNC x 2" long	2
3	83532	Spacer	4
4	83295	Nut, 10-24UNC	2
5	25444	Bracket, Louver (Left)	1
6	25445	Bracket, Louver (Right)	1



Key	Parts No.	Description	Qty.
1	891373	Pad, Door Hinge(Threaded)	2
2	69547MB	Weldment, Sub-Base	1
3	25569	Bracket, Caster	2
4	891424	Caster, Plastic	2
5	83412	1/4-20 x 1 1/2 Hex Bolt	2
6	83136	Washer	4
7	83261	1/4-20 Lock Nut	2
8	69548MB	Weldment, Ash Pan	1
9	891137	Handle, Brushed Nickel	1
10	25570MB	Facade, Bottom	2
11	83479	Leveler	2
		NA	
N/S	88115	Gasket, Hopper Lid	8 ft
13	25586MB	Weldment, Cabinet Top	1
14	891148	Handle, Plastic	1

Key	Parts No.	Description	Qty.
15	25581MB	Right Side Cabinet	1
16	25579MB	Left Side-Front Cabinet	1
17	25580MB	Left Side-Rear Cabinet	1
18	25578MB	Back, Cabinet	1
19	69553	Weldment, Forade Panel-Right Side	1
20	89943	Knob, Cabinet Door	1
21	25585MB	Panel-Left Side, Facade	1
22	69554	Top Panel, Facade (2 piece)	2
23	80507	Circuit Board (6039)	1
24	25583MB	Cover, PCB	1
25	25582MB	Cover, Panel	1
26	891435	Kit, Facade Trim (B-Lux)	1
27	891135	Door Handle, Spring (Nickel)	1
28	891331	Handle, Small Spring (Nickel)	1
N/S	69552	Parts Box	1